





SERVICE MANUAL



[IMPORTANT]

- ▶ Please read the manual carefully and keep it in mind before using this machine
- ▶ Put this manual within touch of your reference in anytime.

ISSUE DATE: July. 7, 2023

PRODUCT INFO	PART INFO	SUPPORT INFO	NEW PRODUCT INFO
			

※ QR(SUPPROT) - Leaflets, manuals, solution(error code, trouble shooting document, watch&solve)

PRECAUTIONS FOR USE

The following safety precautions are given throughout this manual. They must be strictly followed to protect those who install, use or maintain this product as well as to protect players, visitors and property.

For safety reasons.

- The following suggestions should be adhered to:



Disregarding could result in serious injury.



Disregarding could result in injury or product damage.

- The following graphic suggestions describe the types of precautions to be followed.



Indicates a care should be taken.



Forbidden.



Indicates a matter which must be performed.

- **Precautions to be followed:**

Certain procedures require a qualified in-shop maintenance person or industry specialist.

For such instructions, a qualified person must take care of the jobs.

- Otherwise an electric shock, machine trouble or a serious accident may result.
- Replacing the machine parts, inspecting and maintaining the machines and troubleshooting must be assigned only to a qualified in-shop maintenance person or industry specialist. This booklet gives instructions that hazardous jobs in particular must be handled by an industry specialist. Qualified in-shop maintenance person and industry specialist are defined as follows.

Qualified in-shop maintenance person

- A service staff shall have experience in operations of game machines. The staff shall be responsible for assembly, installation, inspection and maintenance of the machine.

Industry specialist

- An industry specialist must be engaged in designing, manufacturing, inspecting and servicing amusement machines. He or she must have an education in electrical, electronic and mechanical engineering and routinely maintain and repair amusement machines.

PRECAUTIONS FOR USE

WARNING

Be sure to consult an industry specialist when setting up, moving or transporting this product.

- This product should not be set up, moved or transported by any one other than an industry specialist.
- When installing this product, set the 4 leg levelers evenly on the floor and make sure that the product is installed stably in a horizontal position. Unstable installation may result in injury or accident.
- When installing this product, do not apply undue force on movable parts. Otherwise, injury and accident may result, or the product may be damaged.

The machine for indoor usage only does not install outside.



Do not set the game machine up near emergency exits.



Protect the game machine from:

- Rain or moisture.
- Direct sunlight.
- Direct heat from air-conditioning and heating equipment, etc..
- Hazardous flammable substances.
- Otherwise an accident or malfunction may result.



Do not place containers holding chemicals or water on or near the game machine.



Do not place objects near the ventilating holes.



Do not bend the power cord by force or place heavy objects on it.



Never plug or unplug the power cord with wet hands.



Never unplug the game machine by pulling the power cord.



CAUTION

Be sure to use indoor wiring within the specified voltage requirements. For extension cord, use the specified rating or more.

Be sure to use the attached power cord.

Never plug more than one cord at a time into the electrical receptacle.



Do not lay the power cord where people walk through.



Be sure to ground this product.



Do not exert excessive force when moving the machine.




For proper ventilation, keep the game machine 100mm(4") away from the walls.

Do not alter the system related dipswitch settings.

PRECAUTIONS FOR USE


WARNING

If there is any abnormality such as smoke, bad smell or abnormal noise being emitted from the machine, immediately turn OFF the main power switch and unplug the power cord from the receptacle to stop operating it. 

- Using the machine in abnormal conditions could result in fire or accidents.

In case of abnormality

1. Turn OFF the main power switch.
2. Unplug the power cord from the receptacle.
3. Contact your nearest dealer.

Do not leave the power cord plugged in improperly or covered with dust. 

- Doing so could result the power cord periodically.

CAUTION

Do not use this product anywhere other than industrial areas. 

- Using in a residential area or an area next to a residential area could affect signal reception of radios, television sets, telephones and etc..
- Do not give shock the surface of glass products.

- Please do not play this game if
 - When you do drinking;
 - When your physical condition is not normal;
 - When you are in pregnancy;
 - When you have on a pulse controller;
 - When you have recently experienced a cramp or fainting away while watching TV.
- Avoid excessive force/shock while playing/moving the game.
- While do games, pay attention to surrounding.

Do not plug or unplug the power cord with wet hands. 

In handling the power cord, follow the instructions below. 

- | | |
|---|--|
| • Do not damage the power cord. | • Do not modify the power cord. |
| • Do not bend the power cord excessively. | • Do not twist the power cord. |
| • Do not heat the power cord. | • Do not pull the power cord. |
| • Do not bind the power cord. | • Do not stand on the power cord. |
| • Do not sandwich the power cord. | • Do not drive a nail into the power cord. |

If the power cord or power plug becomes damaged, stop using the machine immediately and ask your nearest dealer to replace the parts.

*** Electromagnetic wave may cause unexpected noise from speaker.**

PRECAUTIONS FOR USE

WARNING

Be sure to turn OFF the main power switch and unplug the power cord from the receptacle before inspecting or cleaning the machine.



When replacing parts, be sure to use parts of the correct specifications. Never use parts other than the specified ones.



Opening inside the machine shall be done by machine specialist only as high electric current is being sent inside. For game machine with monitor, a care should be taken while opening its back door. If not, a damage to the inside parts or the monitor may occur.



If the sub power switch of the service panel is turned OFF without turning OFF the main power switch of the power supply unit, some parts in the units remain live. When opening the back door, be sure to turn OFF the main power switch and unplug the power cord from the receptacle.



Strictly refrain from disassembly and repair of parts which are not indicated in this manual, as well as settings and remodeling.



To clean the game machine, wipe it with a soft cloth dampened in a neutral detergent.

- Using thinner or other organic solvent or alcohol may decompose the material.
- Electrical shock or equipment failure could be caused by water entering the inside of the machine.

CAUTION

Components in the game are sensitive to vibrations and impact. Care should be used when moving and transporting the game machine.



Be sure not to let the machine tip over.

Before moving the machine, be sure to turn OFF the main power switch, unplug the power cord from the receptacle and remove the power cord from the machine.



Before moving take the machine, off the levelers and move it on the casters.

Avoid excessive force while moving the machine.

.....

PRECAUTIONS IN HANDLING

- When setting up, inspecting, maintaining, moving or transporting this product, follow the procedures and instructions set forth in this manual and perform such work safely.
- Do not set up, handle, inspect, maintain, move or transport this product under conditions equivalent to the condition of "WARNING" or "CAUTION" specified in this manual.
- If a new owner is to have this product as a result of transfer, and etc., be sure to give this manual to the new owner.

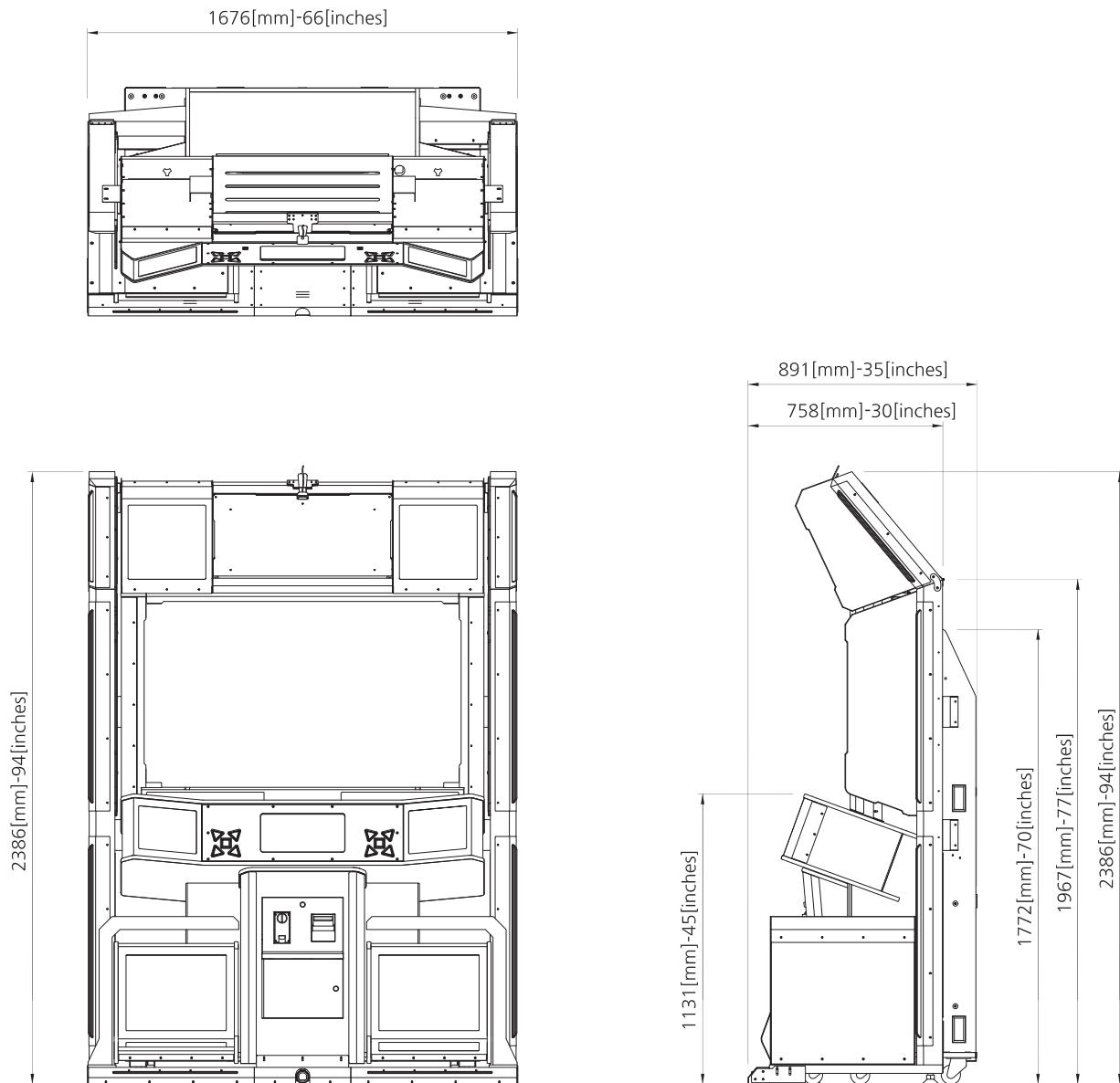
CONTENTS

1. SPECIFICATION AND DIMENSIONP03	6-9. BILLBOARD LED ERRORP36
1-1. DIMENSIONP03	6-10. MIDDLE LED PCB ERROR_CENTER (all)P37
1-2. SPECIFICATIONP03	6-11. MIDDLE LED PCB ERROR_L,R (all)P38
1-3. NAME OF PARTSP04	* MIDDLE LED PCB ERROR (part)P39
1-4. STICKER LOCATIONP05	6-12. BILLBOARD LED PCB ERROR (all)P40
1-5. COMPONENTSP06	* BILLBOARD LED PCB ERROR (part)P41
2. INSTALLATIONP07	6-13. BOTTOM LED PCB ERROR (all)P42
2-1. INSTALLATION SPACEP07	6-14. SIDE L LED ERROR (all)P43
2-2. HOW TO INSTALLP08	6-15. SIDE R LED ERROR (all)P45
3. GAME CHARACTERISTICSP10	6-16. WOOFER BOX L LED ERROR (all)P47
4. HOW TO USE AM.NET SERVICEP10	6-17. WOOFER BOX R LED ERROR (all)P49
5. SETUP MENUP11	* COMMON_LED PCB ERROR (part)P51
5-1. SYSTEM INFOMATIONP12	* IF ALL THE COLOR LEDS ARE NOT LIGHT ONP52
5-2. I/O TESTP13	* WHEN THE COLOR LED IS LIT ONLY IN RED, GREEN, BLUE, AND WHITEP52
5-3. GAME SETTINGP18	* WHEN THE COLOR LED IS ONLY LIT IN WHITE, BLUE, OR OFFP53
5-4. CREDIT SETTINGP19	6-18. WHEN THE WHITE LIGHT AND THE BLUE LIGHT COME OUT ONLY OCCASIONALLY (EQ malfunction)P54
5-5. CARD READERP20	6-19. SOUND ERRORP55
5-6. SOUND SETTINGP21		
5-7. BOOKKEEPINGP22		
5-9. STATISTICSP23		
5-9. RESTRICTIONP24		
5-10. FACTORY SETTINGP25		
6. TROUBLESHOOTINGP26		
6-1. MONITORP26		
6-2. BUTTONP27		
6-3. STEP SENSORP28		
6-4. STEP LEDP29		
6-5. COIN SELECTORP30		
6-6. WHEN INTERNET COMMUNICATION DOES NOT WORKP32		
6-7. CARD READER ERRORP33		
6-8. WEB CAM ERRORP35		

7. EXPLODED VIEWP57
7-1. MAIN CABINET PARTP57
7-2. POWER BASE PARTP58
7-3. COIN DOOR CASE PARTP59
7-4. SETUP PANEL PARTP60
7-5. MONITOR PARTP61
7-6. PC BASE PARTP62
7-7. PCB BASE PARTP63
7-8. AC INPUT PARTP63
7-9. LAN CABLE PARTP63
7-10. MID SPEAKER SIDE COVER L,R PARTP64
7-11. SPEAKER DECO PARTP65
7-12. WOOFER SPEAKER COVER L,R PARTP66
7-13. LIGHT COLUME L PARTP67
7-14. MID SPEAKER FRONT COVER PARTP68
7-15. BILLBOARD PARTP69
7-16. BASE LIGHT DECO PARTP70
7-17. [OPTION] POP PARTP71
* HOW TO REPLACE THE MONITORP72
* CMOS SETTINGSP74
8. BLOCK DIAGRAMP76

1. SPECIFICATION AND DIMENSION

1-1. DIMENSION

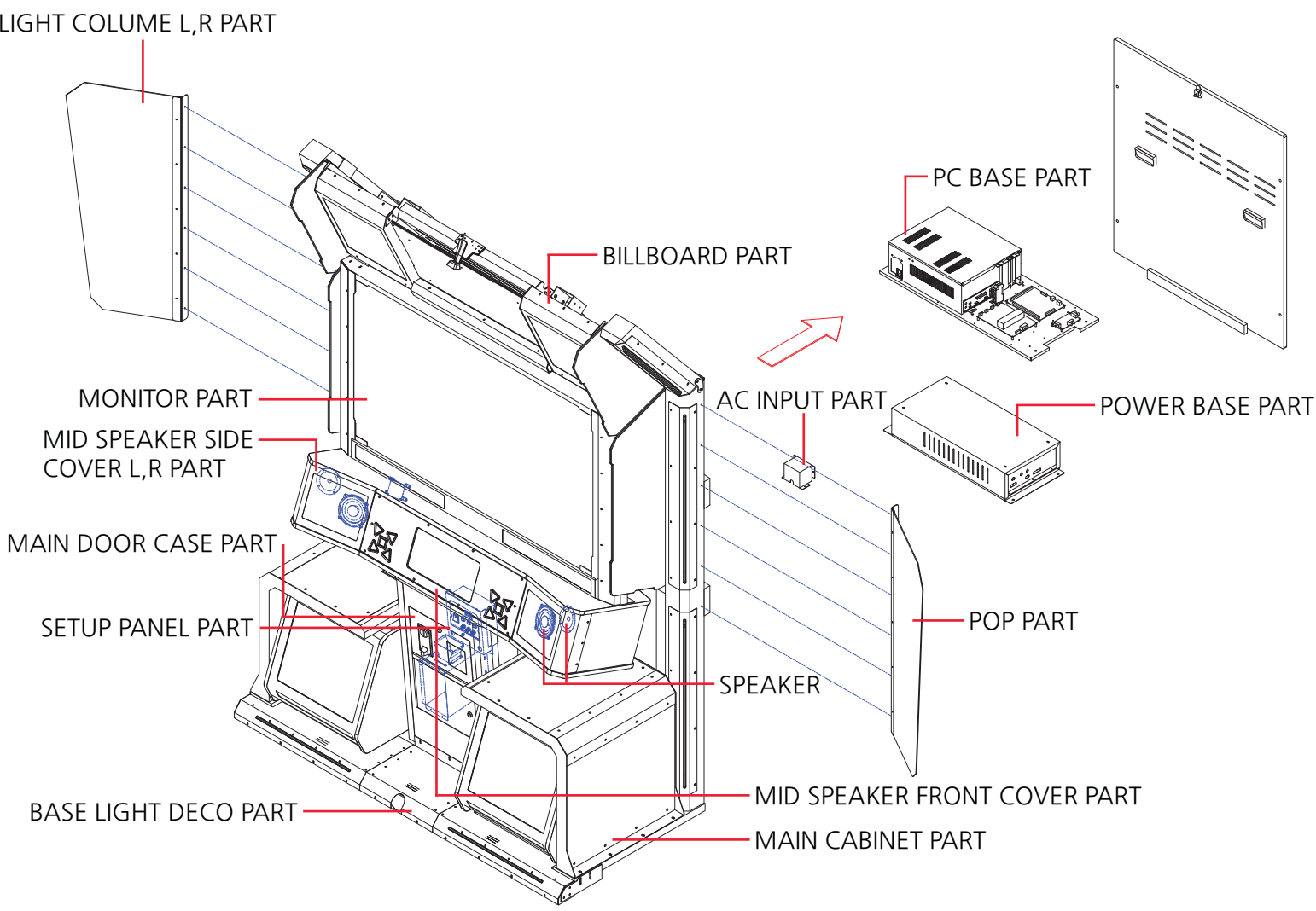


1-2. SPECIFICATION

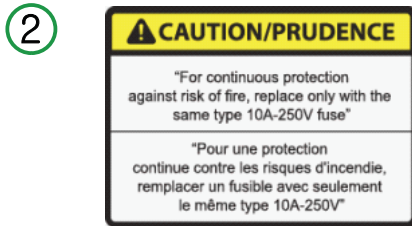
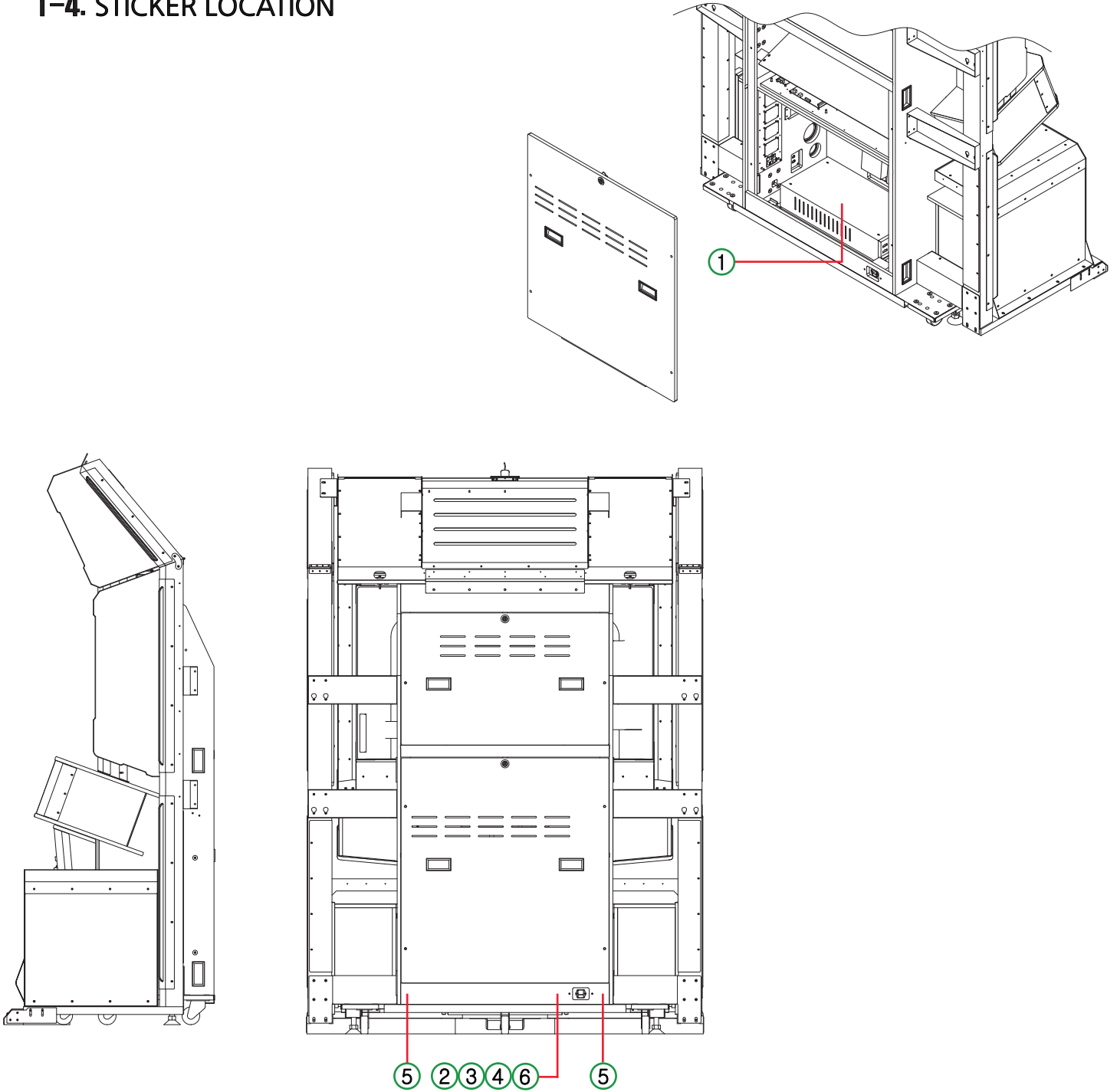
DIMENSION (W x D x H)	1676 x 891 x 2386 (mm)
PACKING DIMENSION (W x D x H)	1150 x 1750 x 2120 (mm)
WEIGHT (kg)	365 kg [WEIGHT INCLUDING : 400 kg] PACKAGING]
VOLTAGE	AC 120V
FREQUENCY RANGE	60Hz
CONSUMPTION	650 W

* The 120V voltage specification is for the Americas only, and the 230V (50/60Hz) voltage specifications are for other countries.

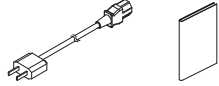












1-3. NAME OF PARTS



1-4. STICKER LOCATION

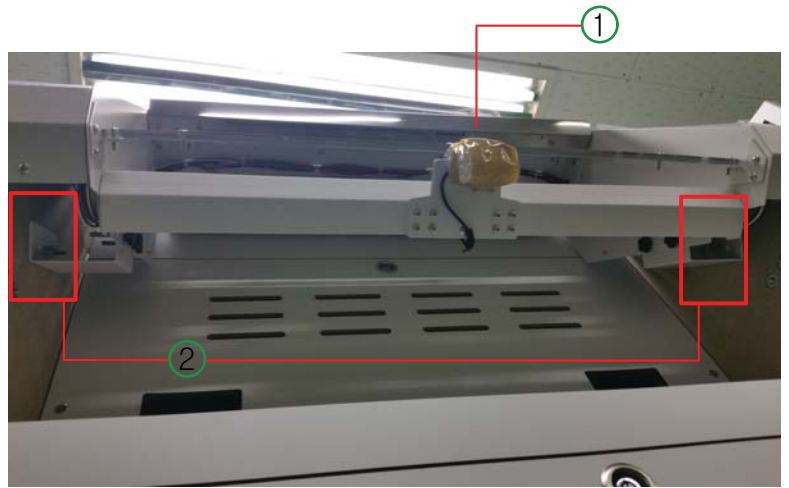
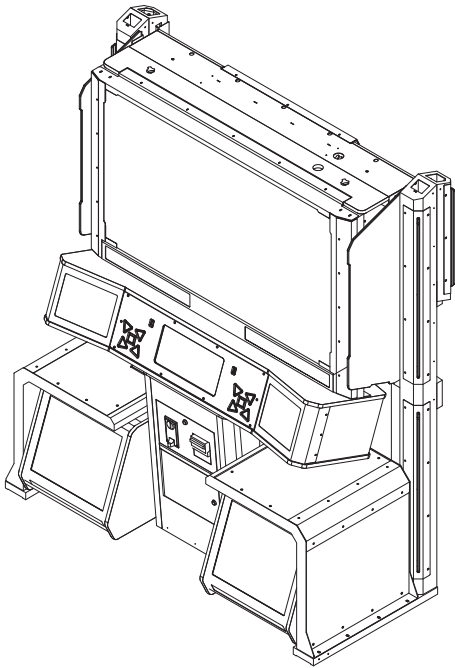


1-5. COMPONENTS

NO.	PART NAME	SPEC.	QTY
1	AC POWER CORD, MANUAL	- 	Each 1
2	KEY	6001, 7001 	2
3	WIRING	- 	1
4	CONNECTOR BRACKET-[STEP]	- 	1
5	JOINT BRACKET	- 	2
6	STEP STICKER	- 	1
7	WRENCH	4mm, 6mm, 8mm 	Each 1
8	BOLT	M4x8L 	15
9	BOLT	M4x16L 	8
10	BOLT	M6x16L 	14
11	BOLT	M6x20L 	6
12	BOLT	M8x15L 	18
13	BOLT	M10x16L 	20

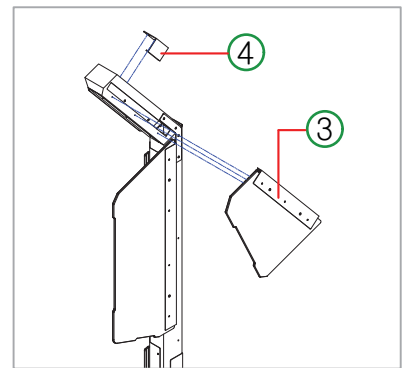
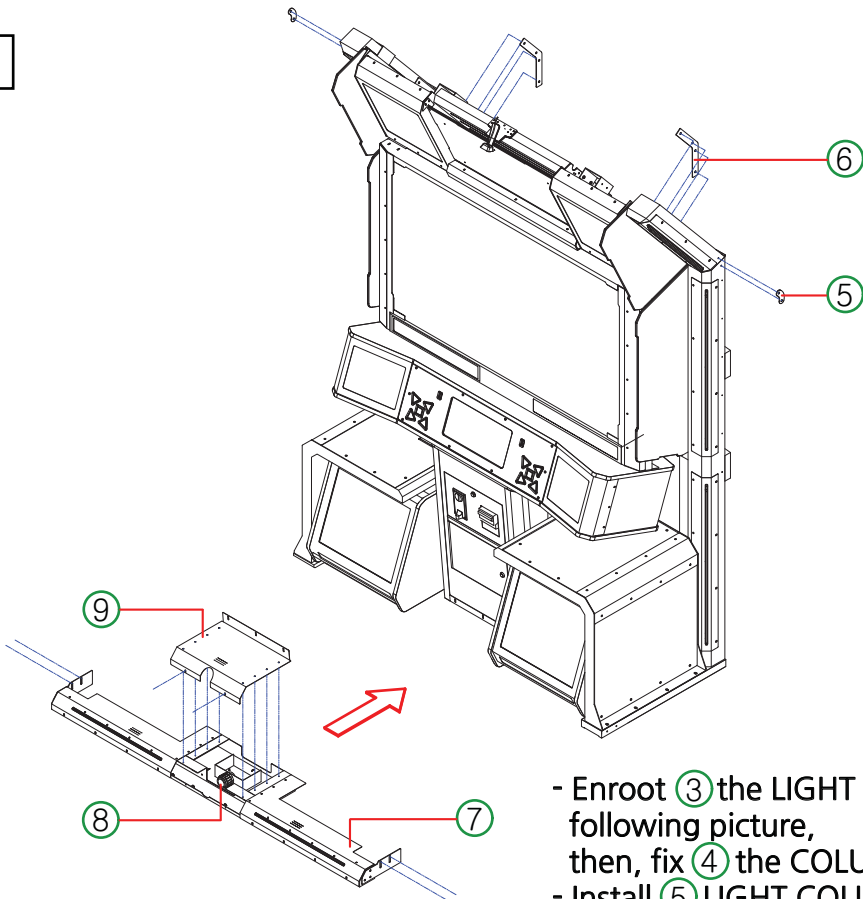
2-2. HOW TO INSTALL - BILLBOARD & BASE LIGHT DECO

1



- ① The billboard is fixed to the backside by hinge when it released as following picture.
Release ② hand Bolts(4 pcs) following display parts in the picture, then install the billboard.

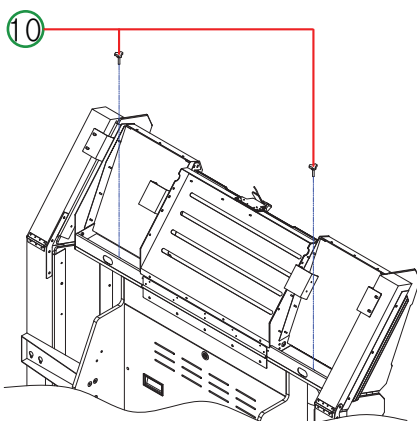
2



- When assembling ③, connect a connector.

- Enroot ③ the LIGHT COLUME L and R[M4 Bolt, 3pcs each] as following picture, then, fix ④ the COLUME REAR FIX BKT.
- Install ⑤ LIGHT COLUMN FOLDING BKT and ⑥ LIGHT COLUMN FOLDING LARGE BKT.[M4 bolt, 6pcs each]
- then, assemble ⑦ BASE LIGHT DECO ASS'Y to CABINET. [M6 bolt, 4pcs]
- after connect the foot connector used by ⑧ HARNESS COVER
- Enroot the ⑨ BASE LIGHT DECO CENTER COVER BKT. [M4 bolt, 13pcs each]

3



- At the last step, Complete the billboard assembly with ⑩ [M6 bolt, 2pcs] as following picture.

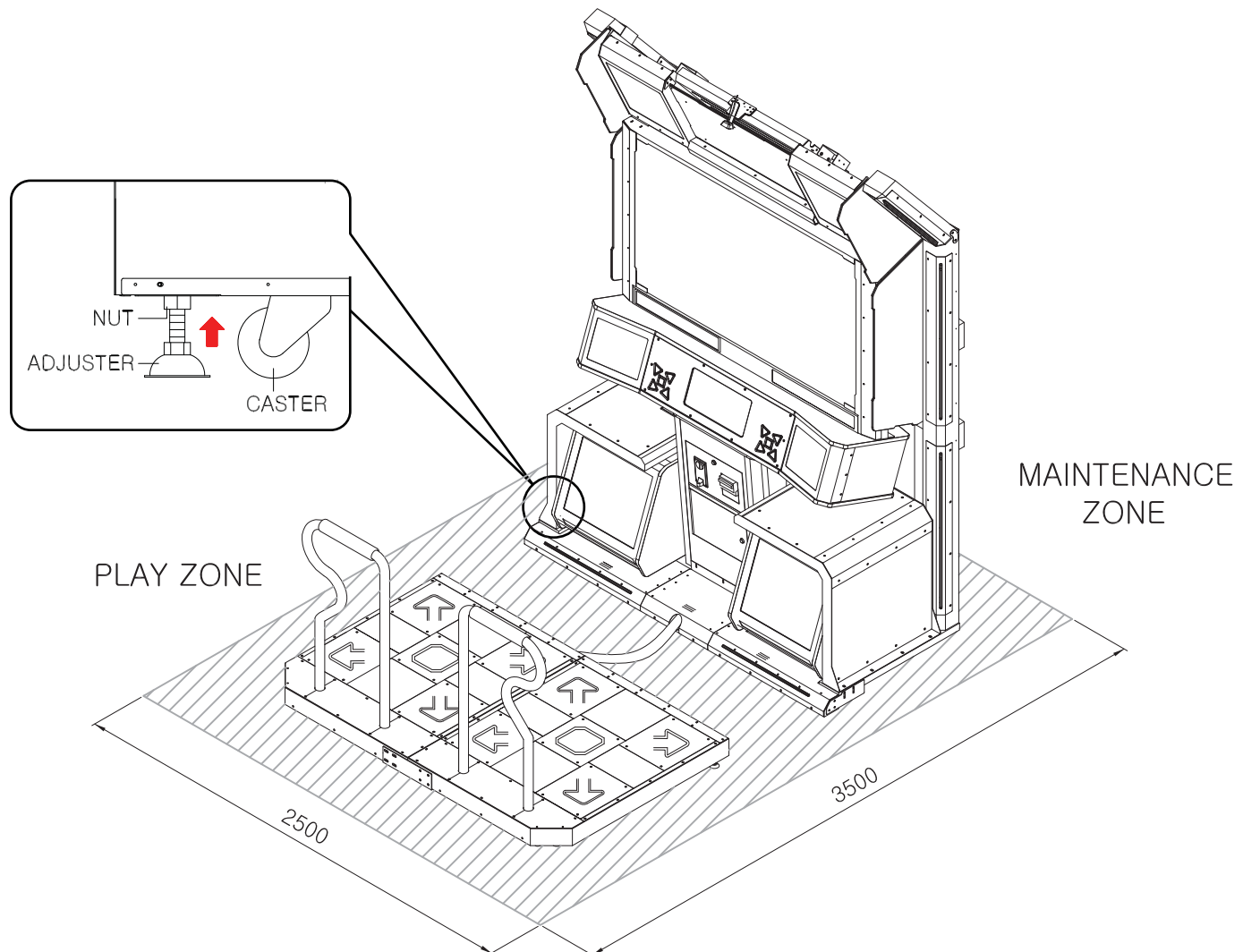
2. INSTALLATION

2-1. INSTALLATION SPACE

- Need to have installation place.
Maintenance Zone & Play zone should have at least 2500mm x 3500mm each.

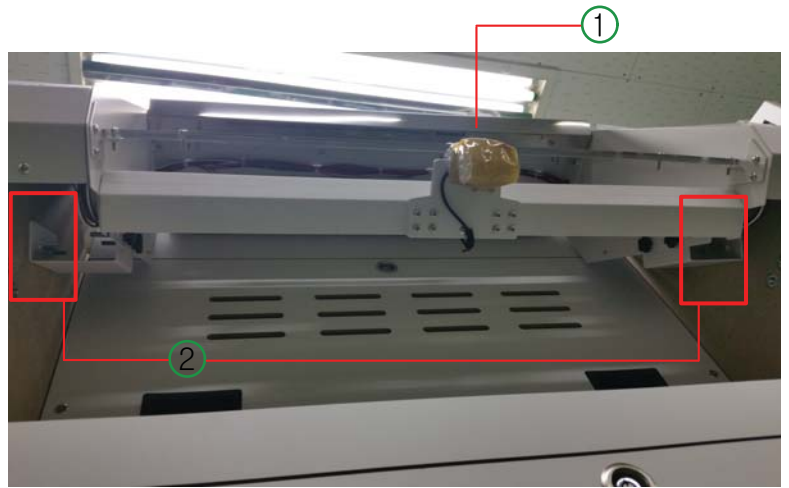
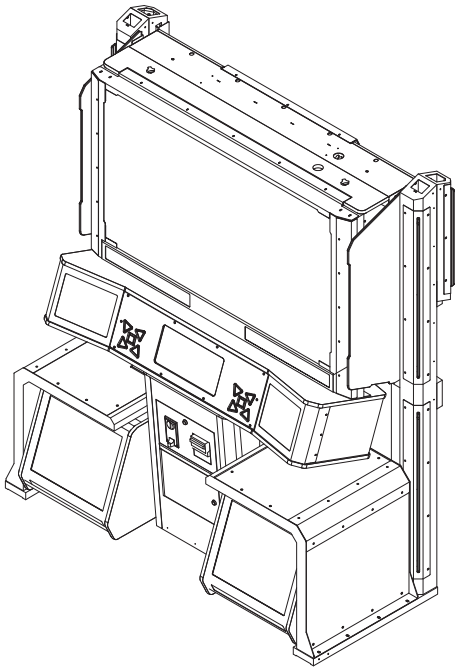
IMPORTANT

- Once you set up the machine with required game-play area, when installing this product, set the 4 leg levelers evenly on the floor and make sure that the product is installed stably in a horizontal position. Otherwise the set winning percentage can be twisted.



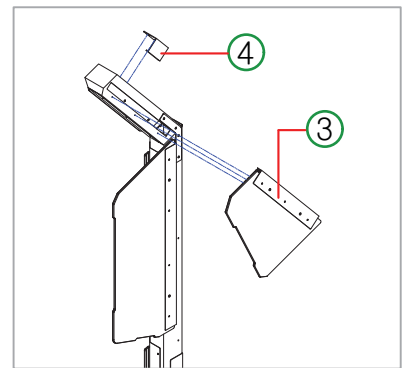
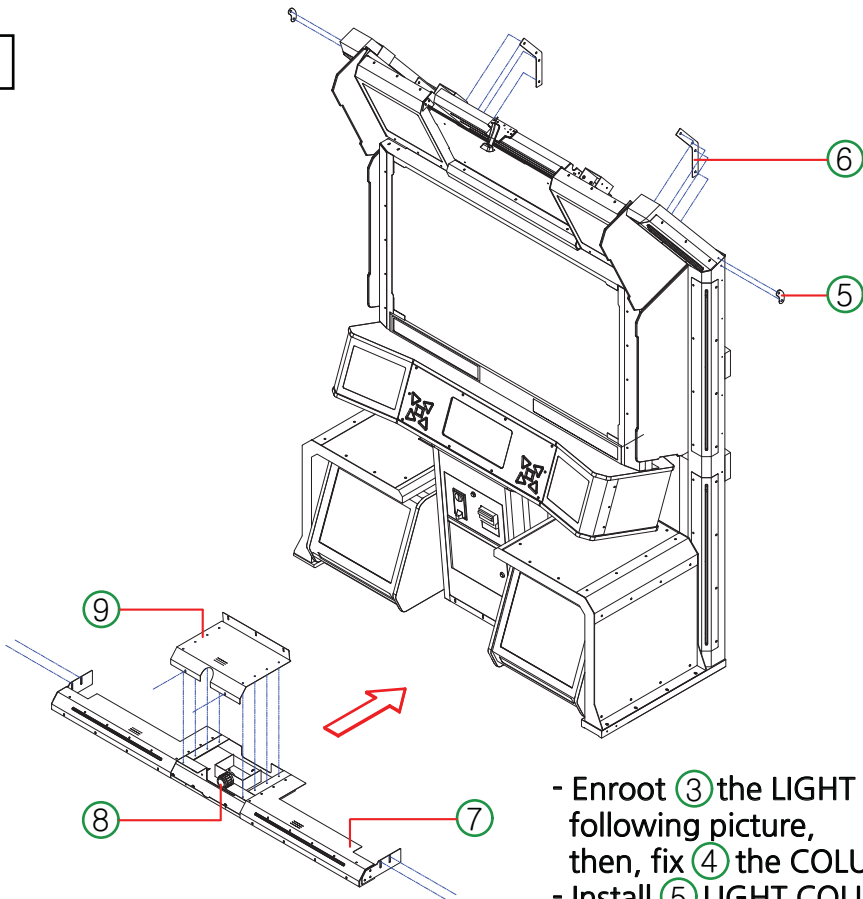
2-2. HOW TO INSTALL - BILLBOARD & BASE LIGHT DECO

1



- ① The billboard is fixed to the backside by hinge when it released as following picture.
Release ② hand Bolts(4 pcs) following display parts in the picture, then install the billboard.

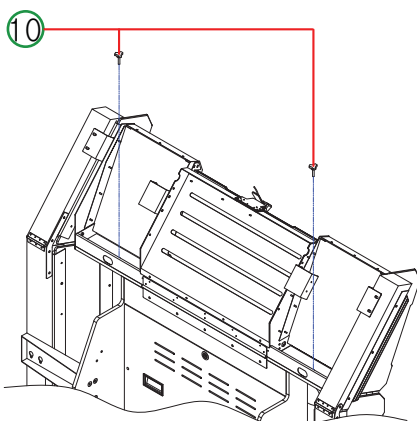
2



- When assembling ③, connect a connector.

- Enroot ③ the LIGHT COLUME L and R[M4 Bolt, 3pcs each] as following picture, then, fix ④ the COLUME REAR FIX BKT.
- Install ⑤ LIGHT COLUMN FOLDING BKT and ⑥ LIGHT COLUMN FOLDING LARGE BKT.[M4 bolt, 6pcs each]
- then, assemble ⑦ BASE LIGHT DECO ASS'Y to CABINET. [M6 bolt, 4pcs]
- after connect the foot connector used by ⑧ HARNESS COVER
- Enroot the ⑨ BASE LIGHT DECO CENTER COVER BKT. [M4 bolt, 13pcs each]

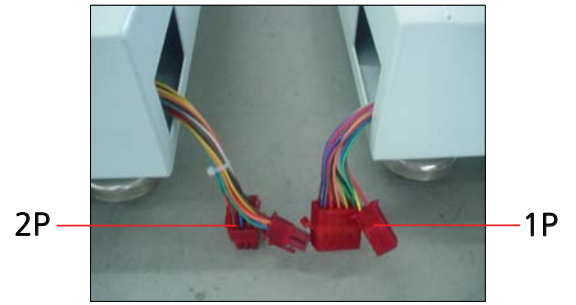
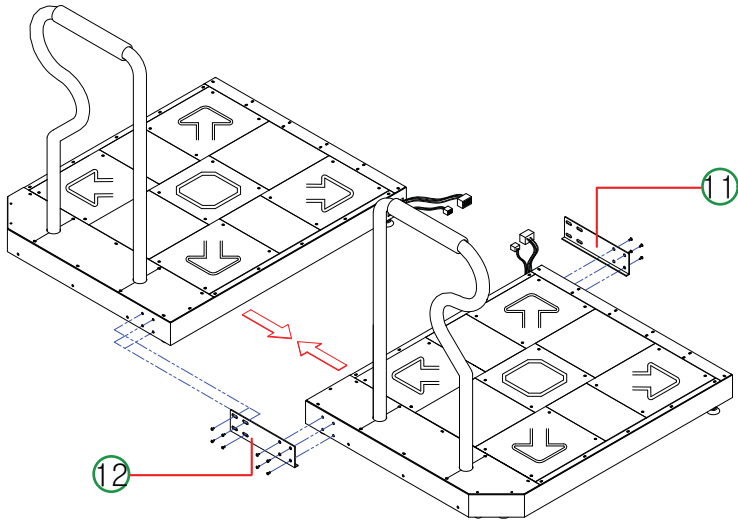
3



- At the last step, Complete the billboard assembly with ⑩ [M6 bolt, 2pcs] as following picture.

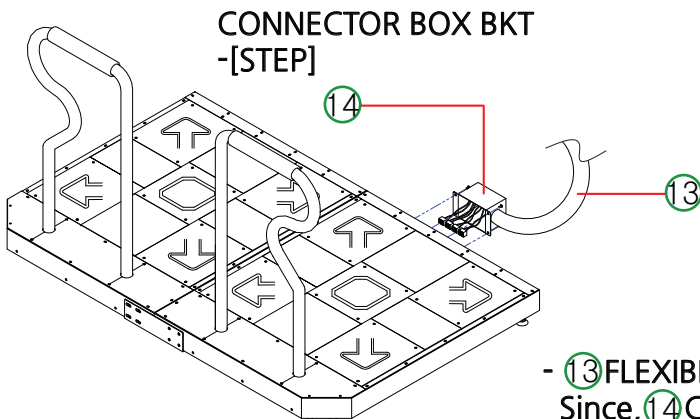
- STEP

4



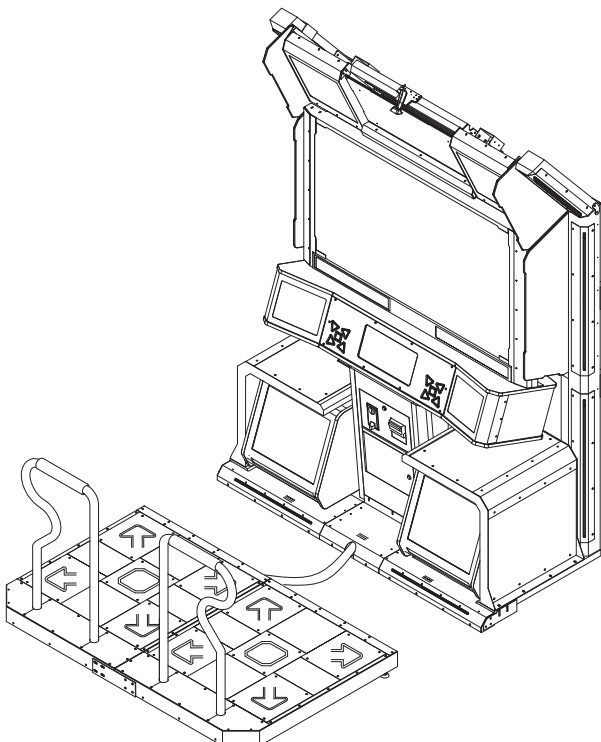
- As shown in Figure A left and right feet of the 1P and 2P is connected to the connector. M8 bolts to 11 12 JOINT BRACKET (16 points) is fixed by.

5



- 13 FLEXIBLE TUBE is connected to the connector body and feet. Since, 14 CONNECTOR BOX BRACKET-[STEP] connection. Bolt M6 (4 points)

6



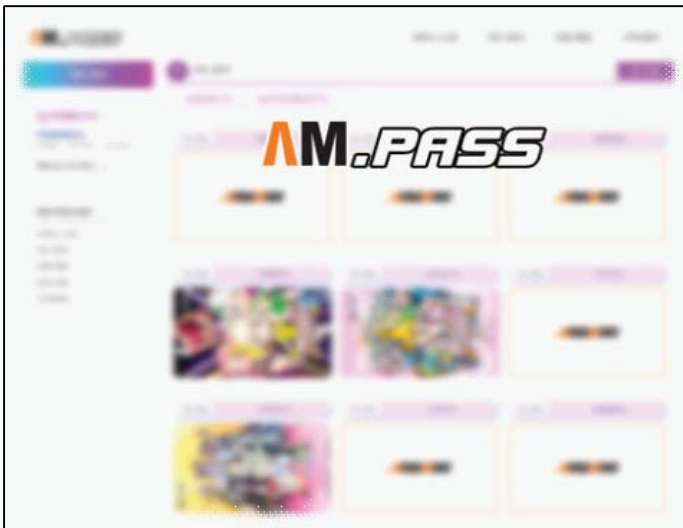
- Finish it as like 5 picture.

3. GAME CHARACTERISTICS

- 3-1.** New brilliant light show, upgrades any location!
- 3-2.** Unleash the Wall of Sound with 4 speakers and 2 subwoofers.
- 3-3.** HD Graphics Pop on a Giant 55" Screen.
- 3-4.** AM.PASS card login is possible with the card reader installed in the device.
From the Pump It Up Phoenix version, logging in and updating using USB is not possible.
- 3-5.** Regular update

With periodic new songs and content updates, you can satisfy both beginners and high-level players by maximizing the strength of the network system.

4. HOW TO USE AM.NET SERVICE



1. You can only use AM.NET service while the machine is online. If you use the AM-PASS.NET service, you can experience a new world of attractive 'Pump It Up', such as ranking and personal record management.

AM-PASS.NET service can be used with the AM.PASS card issued by Andamiro.
(From the Phoenix version, USB cannot be used.)
2. AM.PASS cards can be purchased at stores where Pump It UP's card readers are installed, and purchased cards can be used after registering the AM.PASS card by visiting www.piugame.com and following the instructions.
Cards not issued by Andamiro cannot use the service.

* There might be 1 min ~ 2 mins waiting time when you power on the machine.

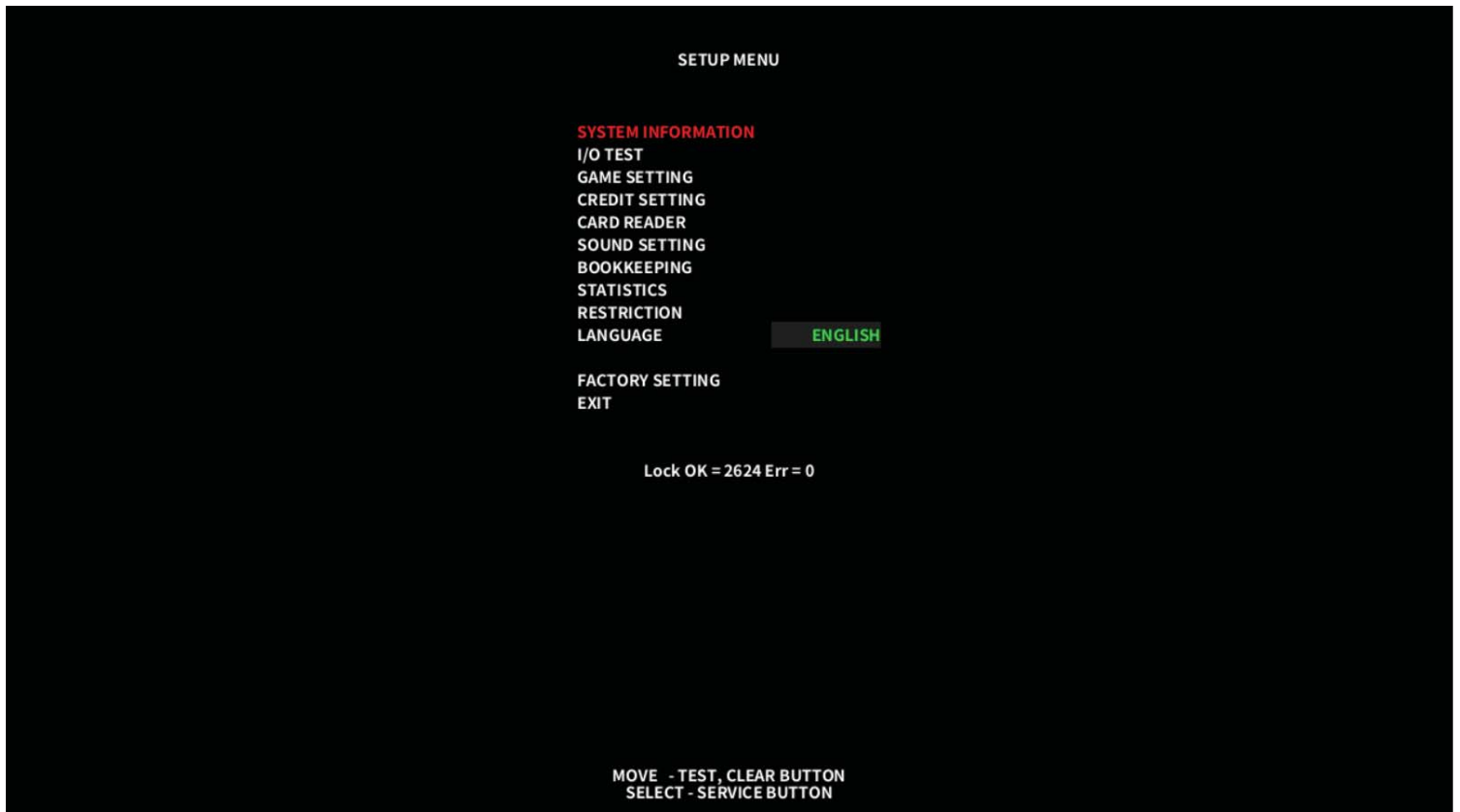
5. SETUP MENU

Setup the machine proper for your own game center.

Test the hardware and set options before using game.

* Press the "Test" button located in the service box at any time.
The Service Options menu will appear.

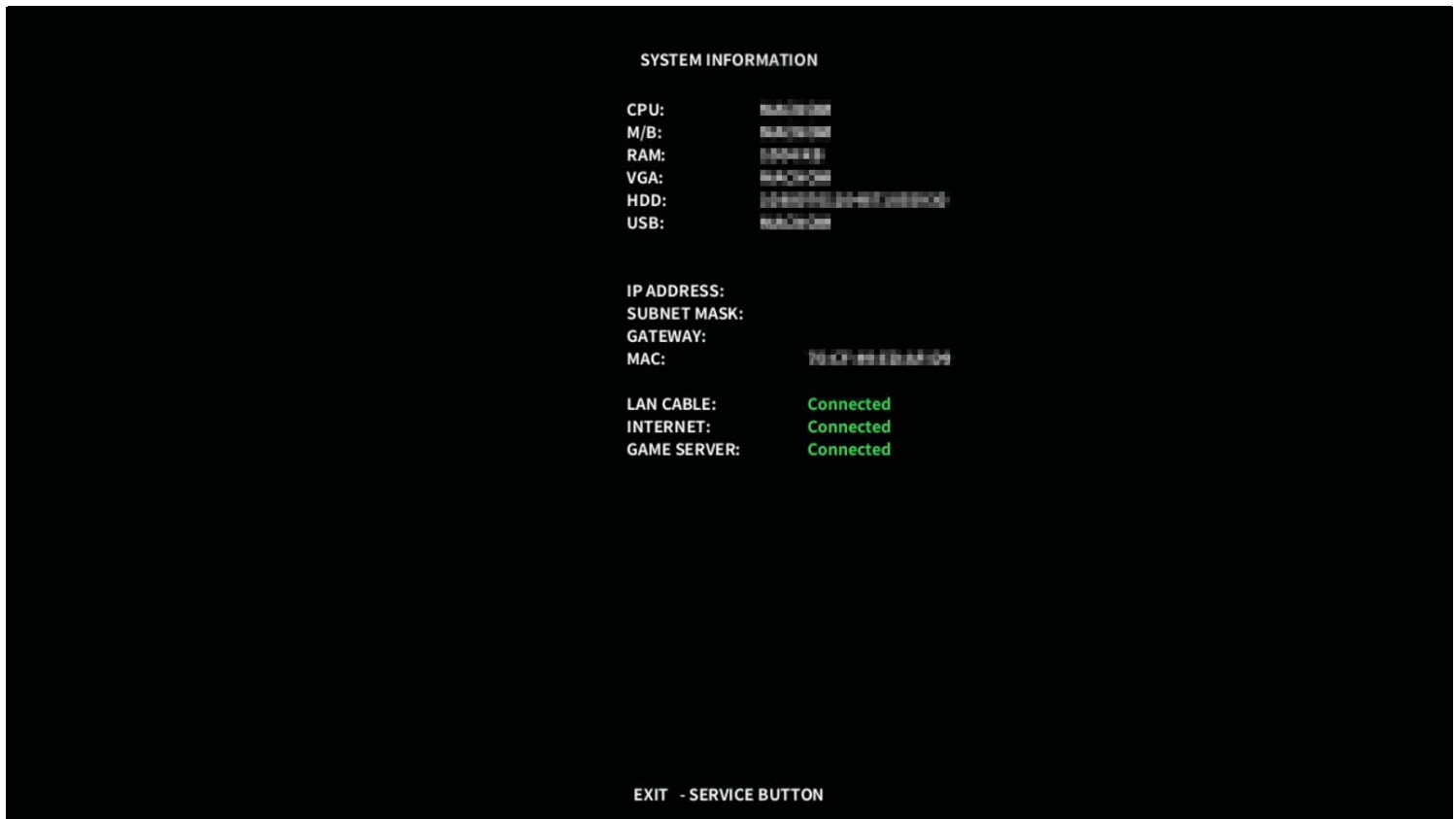
* Moving menu items : TEST Button, CLEAR Button
Selection of menu items : SERVICE Button



- SYSTEM INFORMATION : CHECK SPEC INFO AND INTERNET CONNECTION
- IO TEST : CHECK THE FUNCTION OF IN/OUT DEVICE
- GAME SETTING : SET UP FOR GAME
- CREDIT SETTING : SET UP FOR CREDIT
- CARD READER : SET THE CONDITIONS OF READER
- SOUND SETTING : SET UP FOR GAME SOUND
- BOOKKEEPING : DISPLAY THE SALES LEDGER LIKE INSERTED COIN
- STATISTICS : CHECK THE PLAYER'S FAVORITE
- RESTRICTION : SET UP FOR SONG'S SOURCE
- FACTORY SETTING : INITIALIZING WITH FACTORY SETTING VALUE

5-1. SYSTEM INFORMATION

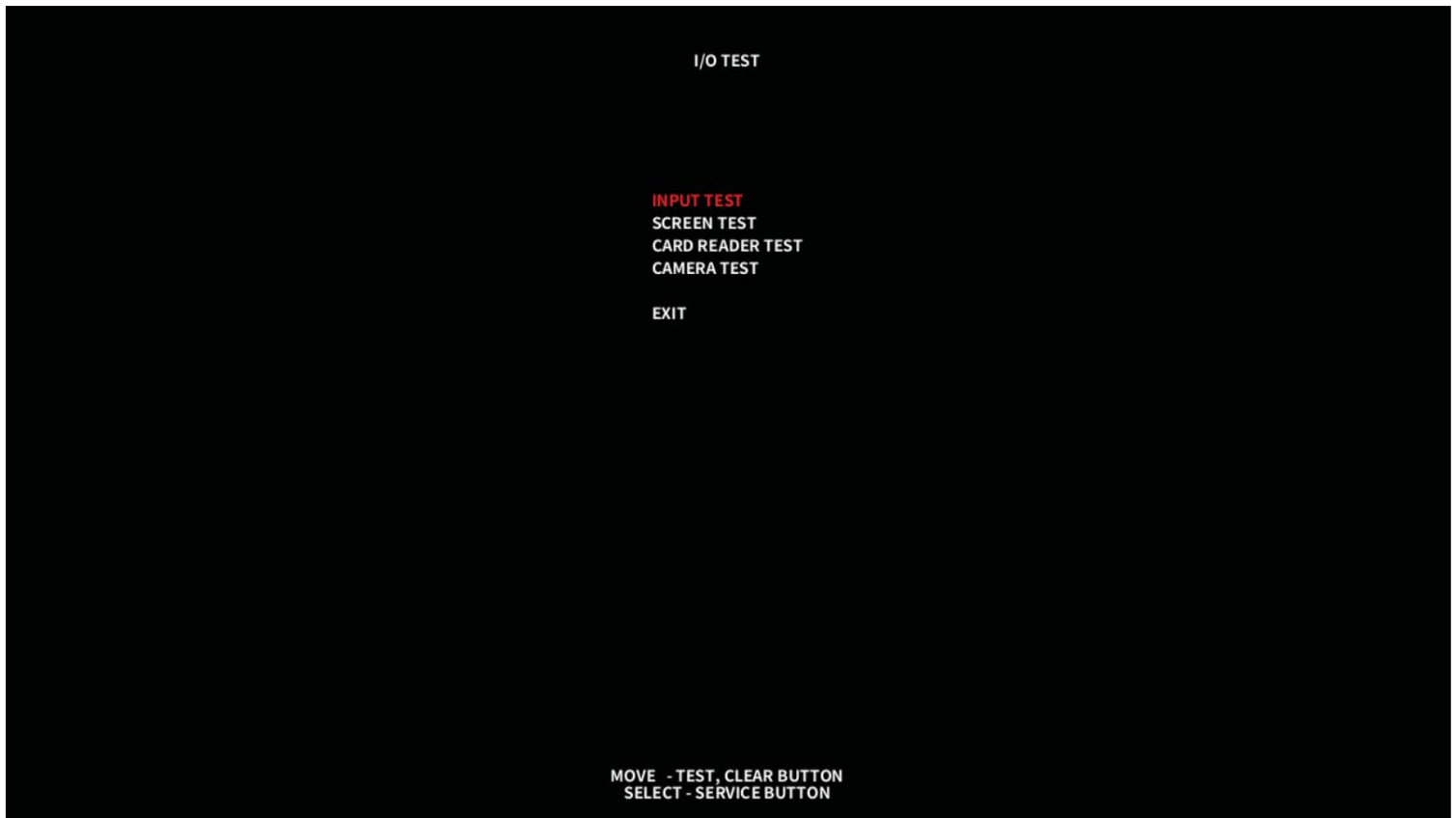
- CHECK SPEC INFO, INTERNET CONNECTION INFO AND STATUS OF MACHINE



- CPU : CHECK CPU INFO
- M/B : CHECK MAINBOARD INFO
- RAM : CHECK RAM INFO
- VGA : CHECK GRAPHIC CARD INFO
- HDD : CHECK HARD DISC INFO
- USB : CHECK USB INFO
- IP ADDRESS : CHECK IP ADDRESS INFO
- SUBNET MASK : CHECK SUBNET MASK INFO
- GATE WAY : CHECK INTERNET CONNECTION STATUS
- LAN CABLE : CHECK INTERNET CONNECTION STATUS
- INTERNET : CHECK INTERNET CONNECTION STATUS
- GAME SERVER : CHECK SERVER CONNECTION STATUS

5-2. I/O TEST

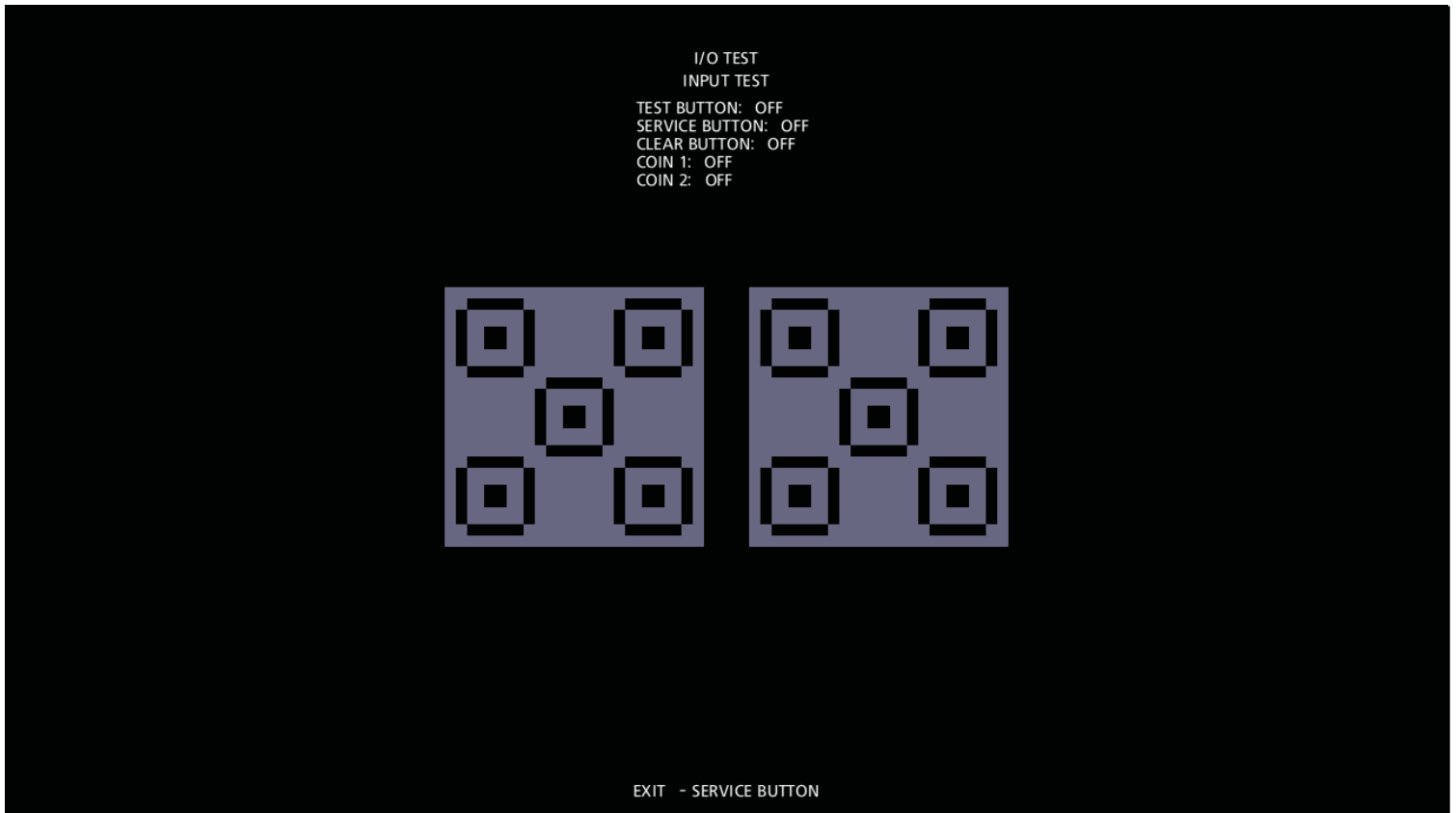
- CHECK EVERY BUTTON AND STEP SENSOR, COIN SELECTOR, MONITOR SCREEN, CARD READER AND CAMERA



- INPUT TEST : CHECK EACH BUTTON AND STEPS SENSOR, COIN SELECTOR MOVEMENT
- SCREEN TEST : CHECK COLOR DISPLAY STATUS OF MONITOR AND BAD PIXEL
- CARD READER TEST : CHECK THE CONNECTION AND PERCEIVING STATUS OF CARD READER
- CAMERA TEST : CHECK THE STATUS OF IMAGE THAT CAMERA IS PHOTO GRAPHING

- INPUT TEST

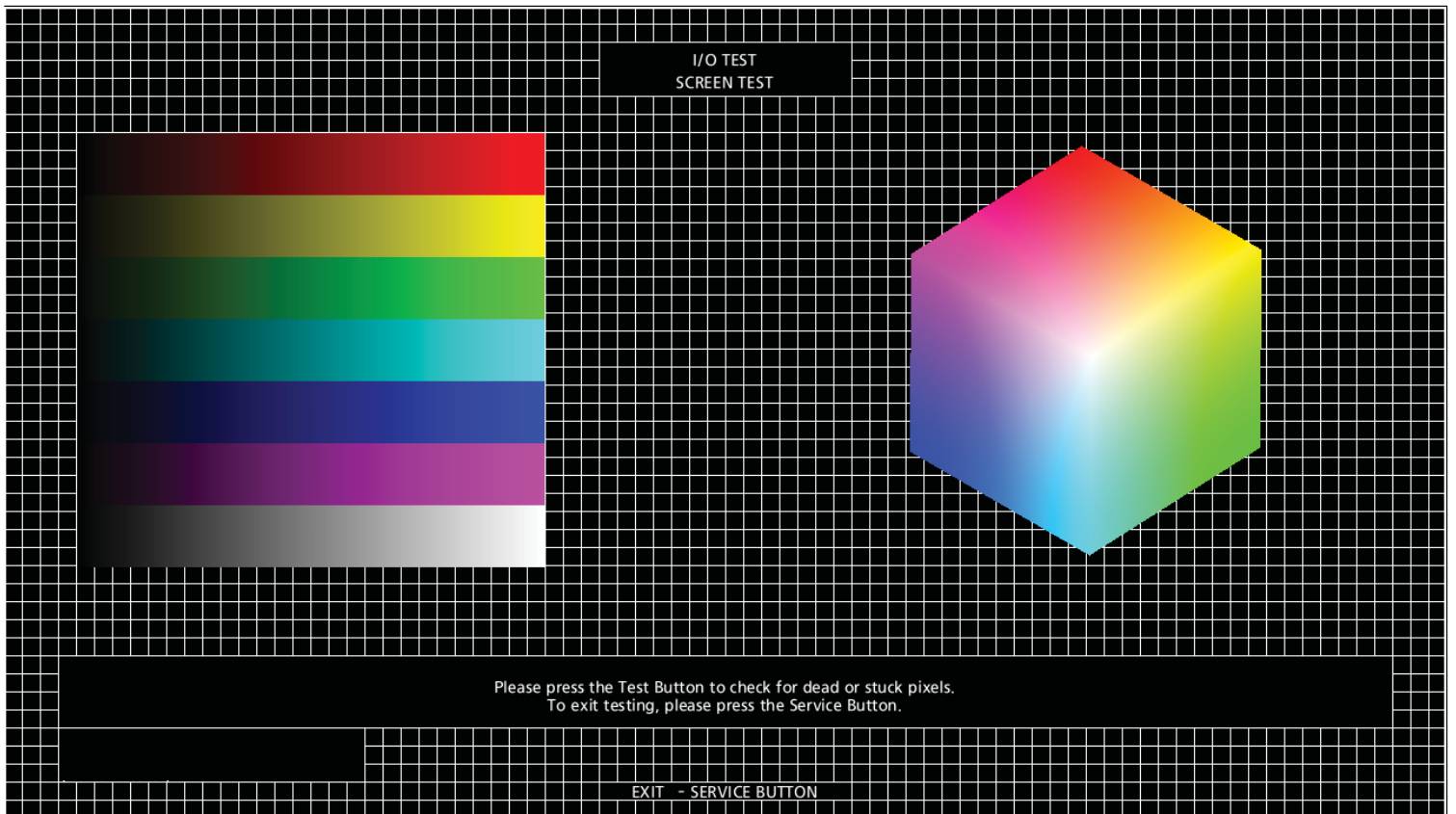
- CHECK EACH BUTTON AND STEPS SENSOR







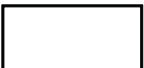

- TEST BUTTON : PUSH BUTTON, OFF BECOMES ON
- SERVICE BUTTON : PUSH BUTTON, OFF BECOMES ON
- CLEAR BUTTON : PUSH BUTTON, OFF BECOMES ON
- COIN1 : INSERT COIN, OFF BECOMES ON
- COIN2 : INSERT COIN, OFF BECOMES ON

- SCREEN TEST

- CHECK THE COLOR DISPLAY AND BAD PIXELS

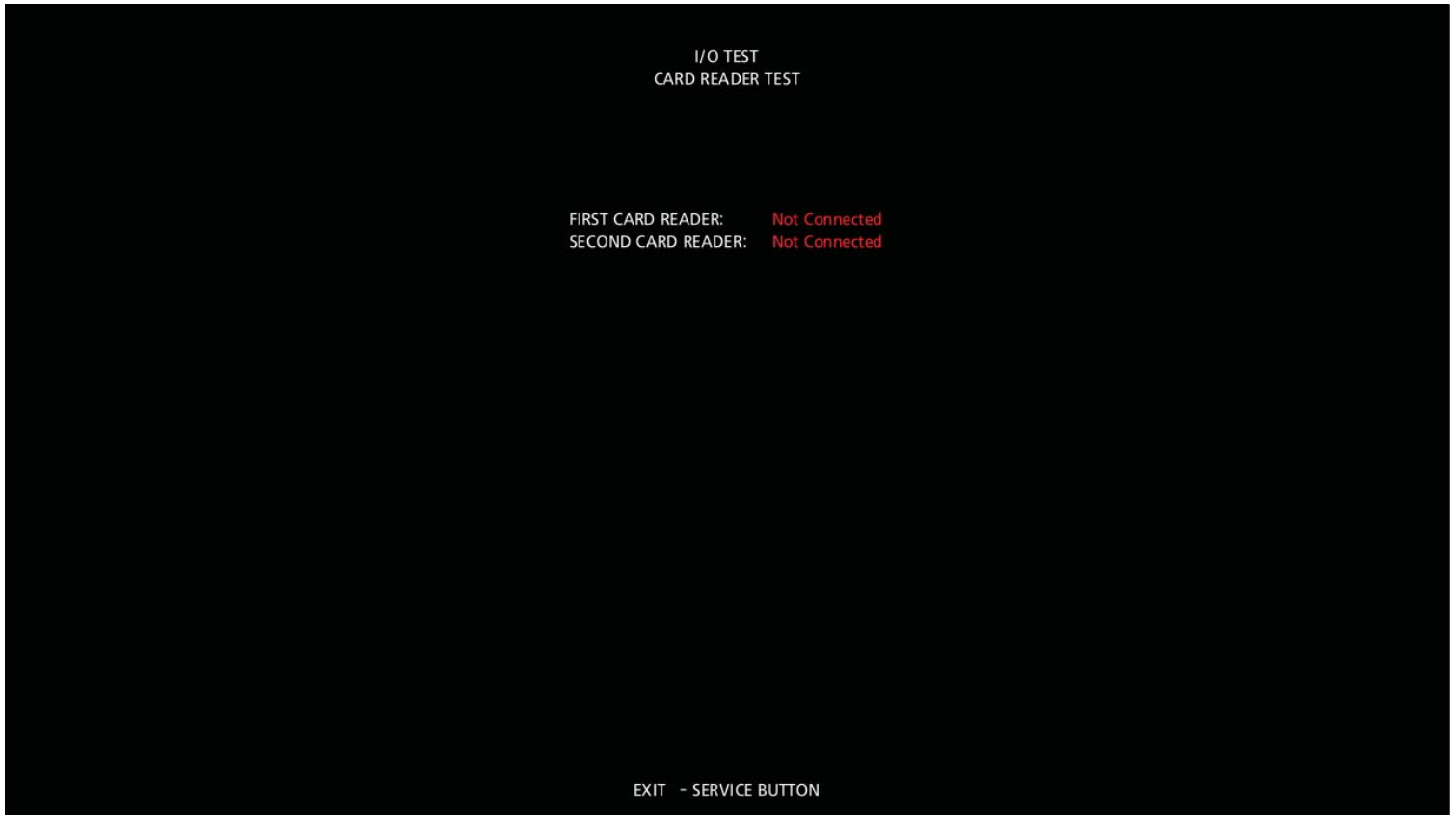


- BY PUSHING TEST BUTTON, YOU CAN CHECK AS BELOW.

	SCREEN TEST DISPLAY
	SCREEN IS FILLED WITH RED COLOR
	SCREEN IS FILLED WITH GREEN COLOR
	SCREEN IS FILLED WITH BLUE COLOR
	SCREEN IS FILLED WITH WHITE COLOR
	SCREEN IS FILLED WITH BLACK COLOR

- CARD READER TEST

- CHECK THE PERCEIVING STATUS OF CARD READER



- NOT CONNECTED : CARD READER IS NOT CONNECTED TO THE MACHINE
- CONNECTED : CARD READER IS CONNECTED TO THE MACHINE
- OK : CARD READING IS BEING PERCEIVED BY CARD READER

- CAMERA TEST

- CHECK THE STATUS OF IMAGE THAT CAMERA IS PHOTOGRAPHING

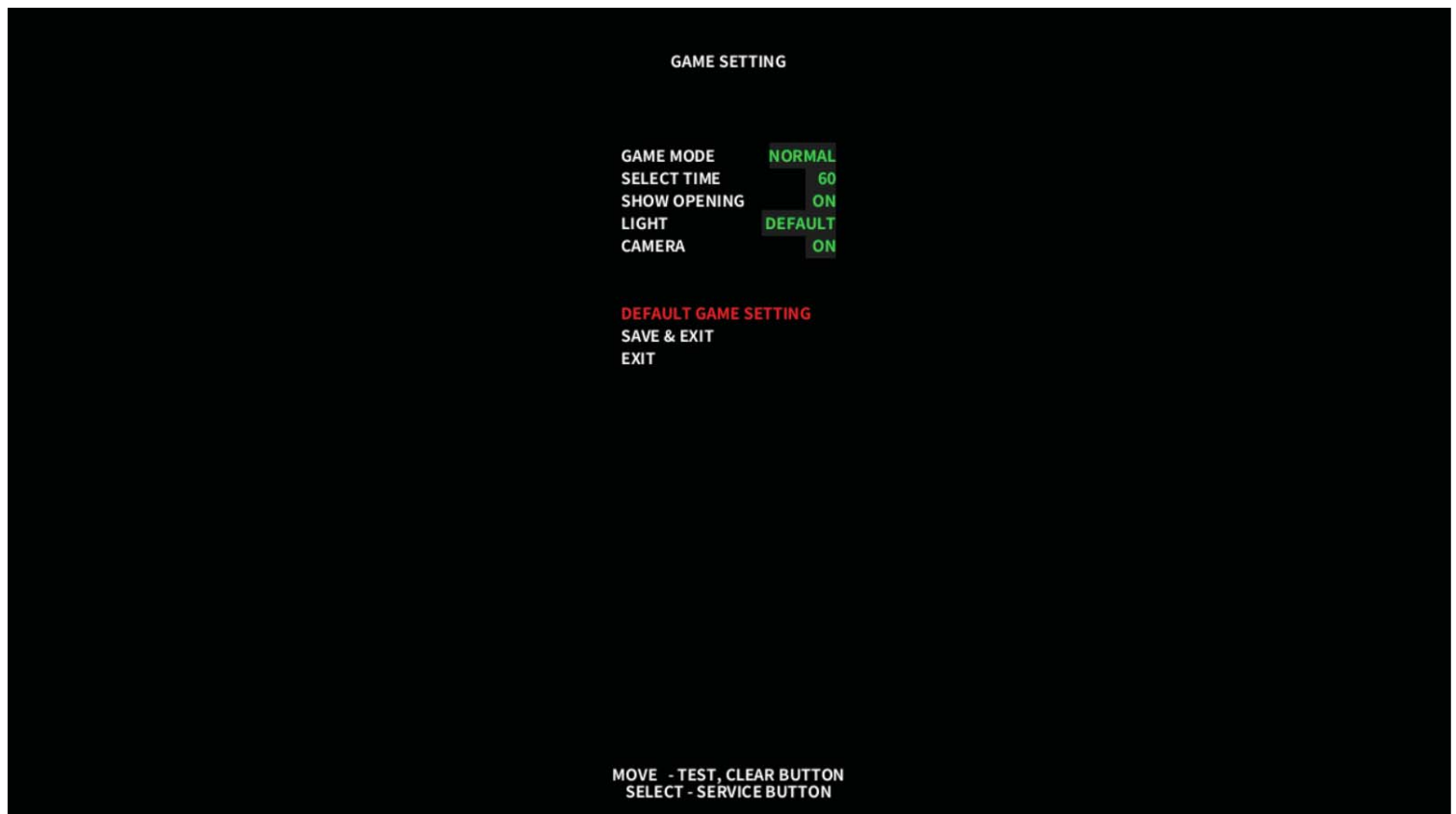
I/O TEST
CAMERA TEST



EXIT - SERVICE BUTTTON

5-3. GAME SETTING

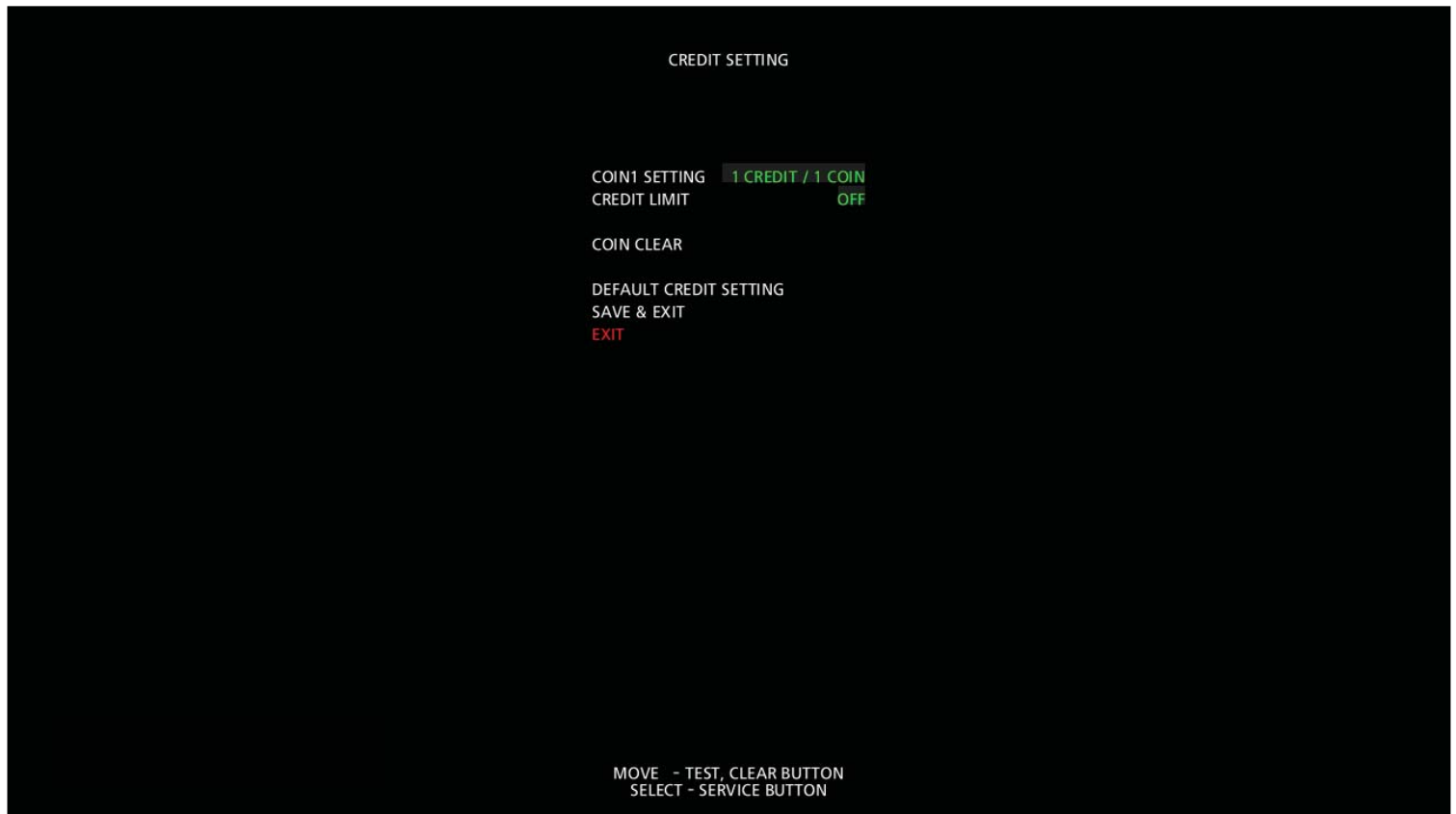
- YOU CAN CHANGE VARIOUS SETTING IN GAME



- GAME MODE : CHANGE STAGE GAME MODE
- SELECT TIME : CHANGE SELECTING SONG TIME
- SHOW OPENING : ON AND OFF OPENING DISPLAY
- LIGHT : CHANGE PATTERNS OF LED LIGHT
- CAMERA : ON/OFF CAMERA FUNCTION
- DEFAULT GAME SETTING : INITIALIZE GAME SET UP VALUE
- SAVE & EXIT : SAVE THE SET UP VALUE AND EXIT THE MENU

5-4. CREDIT SETTING

- SET COIN NUMBERS FOR PLAYING, LIMIT AND MODE



- COIN1 SET : SET COIN NUMBER FOR PLAY

[1 CREDIT / 1 COIN ~ 1 CREDIT / 9 COIN]
[2 CREDIT / 1 COIN ~ 9 CREDIT / 1 COIN]
[FREE PLAY]

- CREDIT LIMIT : SET CREDIT LIMIT

[OFF, 1~10]

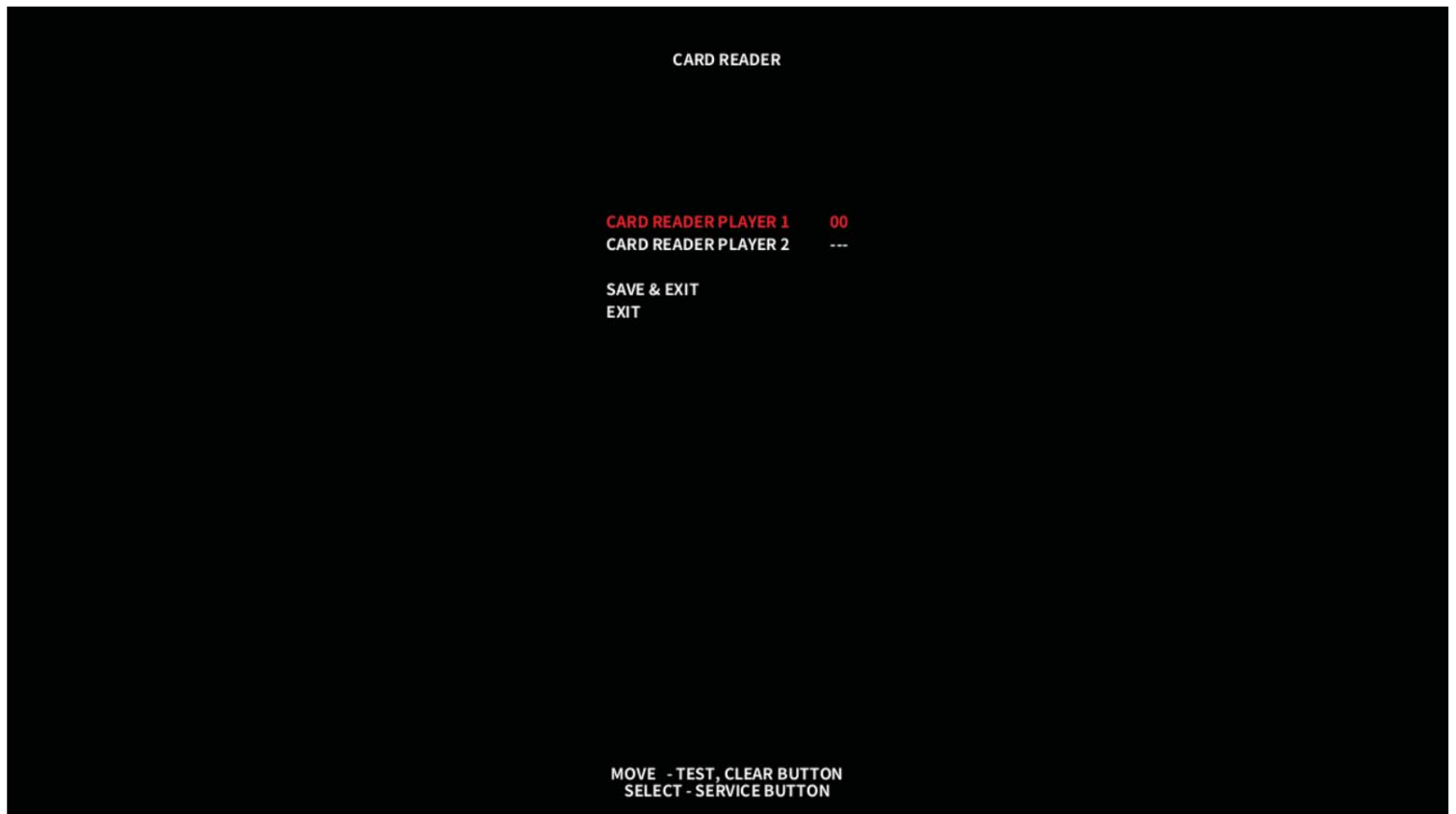
- COIN CLEAR : INITIALIZING THE INPUT COINS

- DEFAULT CREDIT SETTING : INITIALIZING THE CREDIT SET UP STAUS

- SAVE & EXIT : SAVE THE SET VALUE AND EXIT TO MENU

5-5. CARD READER

- YOU CAN SET THE CARD READER



- CARD READER PLAYER 1 : SET THE CARD READER FOR 1P PLAYER
- CARD READER PLAYER 2 : SET THE CARD READER FOR 2P PLAYER
- SAVE & EXIT : SAVE THE SETTING AND EXIT

[Card reader Player 1, Card reader Player 2]

You can set the card reader by activating the card reader

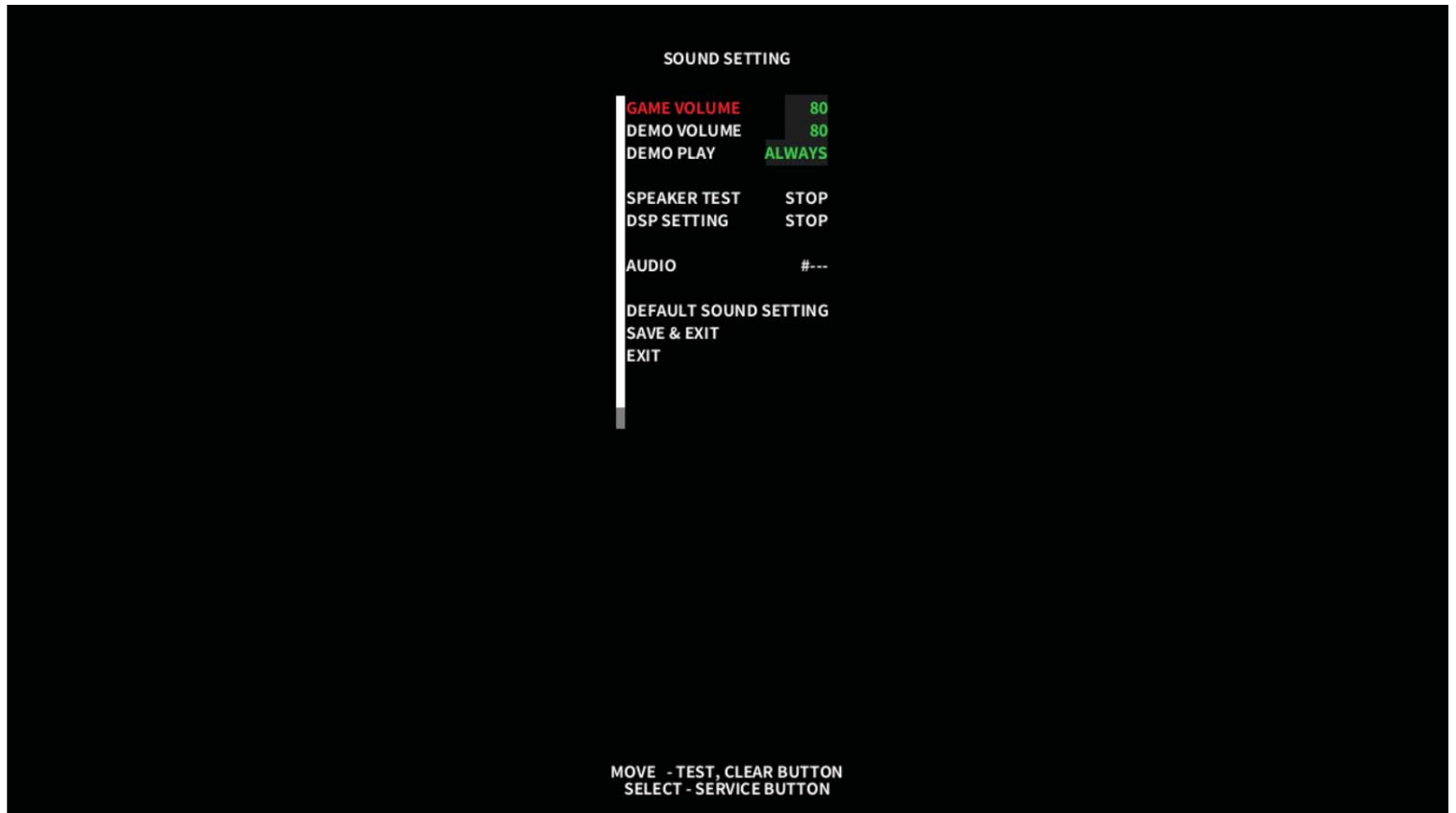
Activate the card reader in following sequence

1. Wait at the point of card reader Player 1 in Card Reader Menu
2. Put AM PASS Card to the card reader on the Left Side of the machine
3. Press Test Button at card reader player 1
4. Wait at the point of card reader player 2 in card reader menu
5. Put AM PASS Card to the card reader on the Right Side of the machine
6. Press Test button at card reader player 2
7. Save the settings and exit and then card reader shall be activated to perceive AM PASS Card



Note: According to the machine, the location of Card Reader can be different or there may be no location for Card Reader

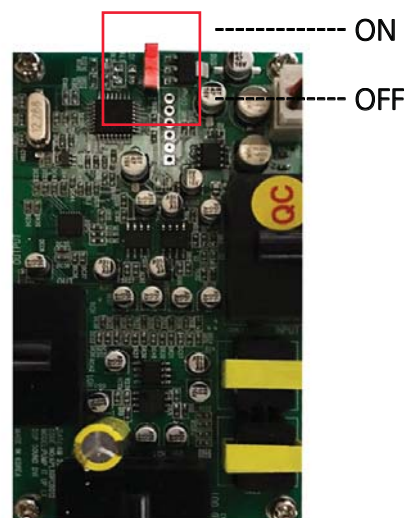
5-6. SOUND SETTING

- YOU CAN PLAY THE LIST SONG, SPEAKER CHECKING AND GAME ENVIRONMENT VOLUME



- GAME VOLUME : ADJUST GAME VOLUME [0 ~100]
- DEMO VOLUME : ADJUST DEMO SCREEN [0 ~100]
- DEMO PLAY : SET THE WAY OF DEMOPLAY SOUND PLAY [At the times,10~60, Off]
- SPEAKER TEST : CHECK SPEAKERS
- DSP SETTING : SET THE SOUND OUTPUT IN OPTIMUM CONDITION

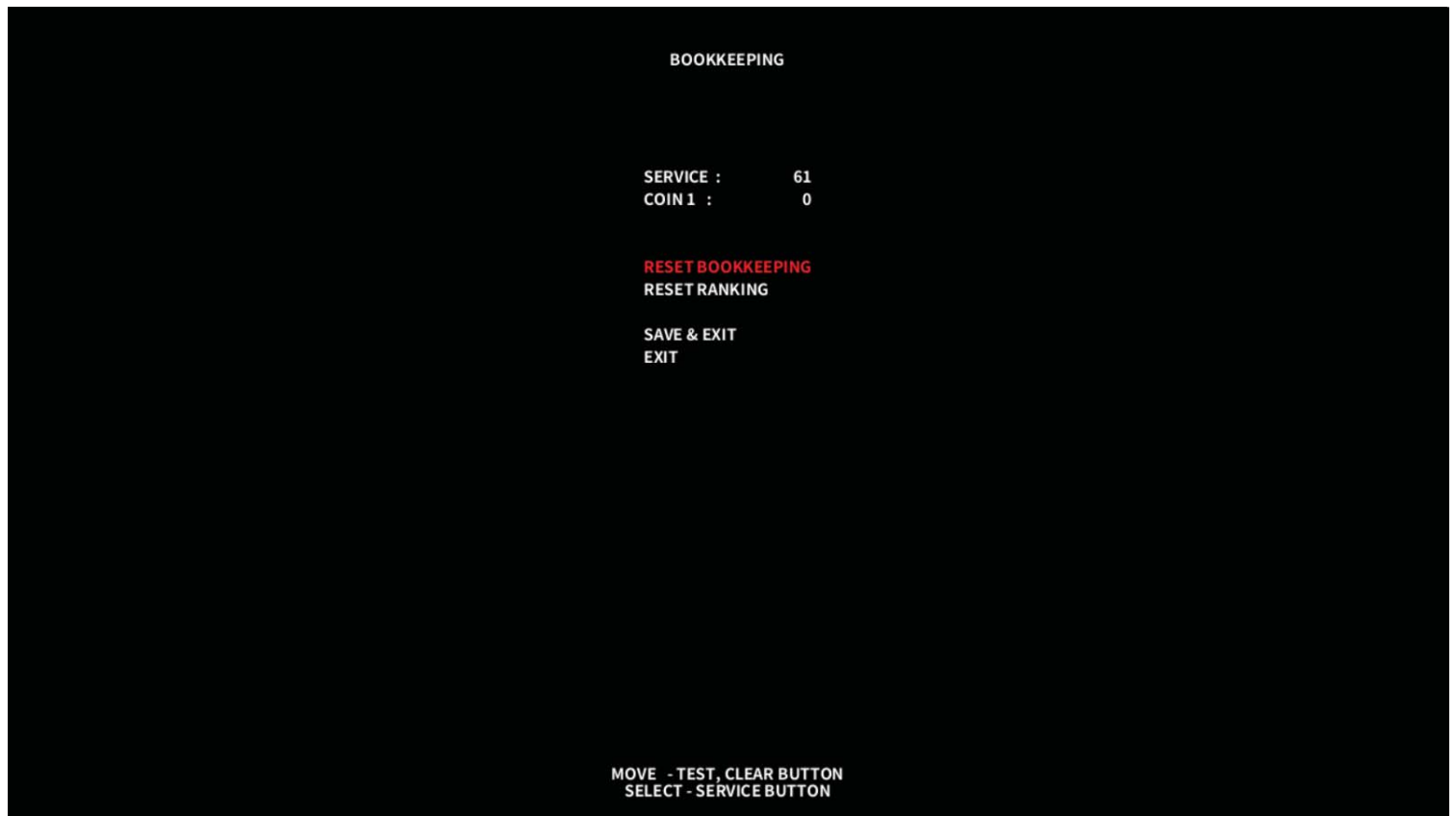
- * 1. Set DSP switch to ON(Up) 
2. Enter SETUP MENU => SOUND SETTING.
3. Set game volume as 80.
4. Run DSP SETTING.
5. Wait 20 secs until end of beep sound.
6. Set DSP switch to OFF(Down) 
7. After DSP setting, set GAME VOLUME as you want.
(Recommend setting is 90)



- AUDIO : PLAY THE LISTED SONGS
- DEFAULT SOUND SETTING : INITIALIZE SOUND SETTING STAUAS AS BEGINNING STATUS
- SAVE & EXIT : SAVE THE SETTING VALUE AND EXIT TO MENU

5-7. BOOKKEEPING

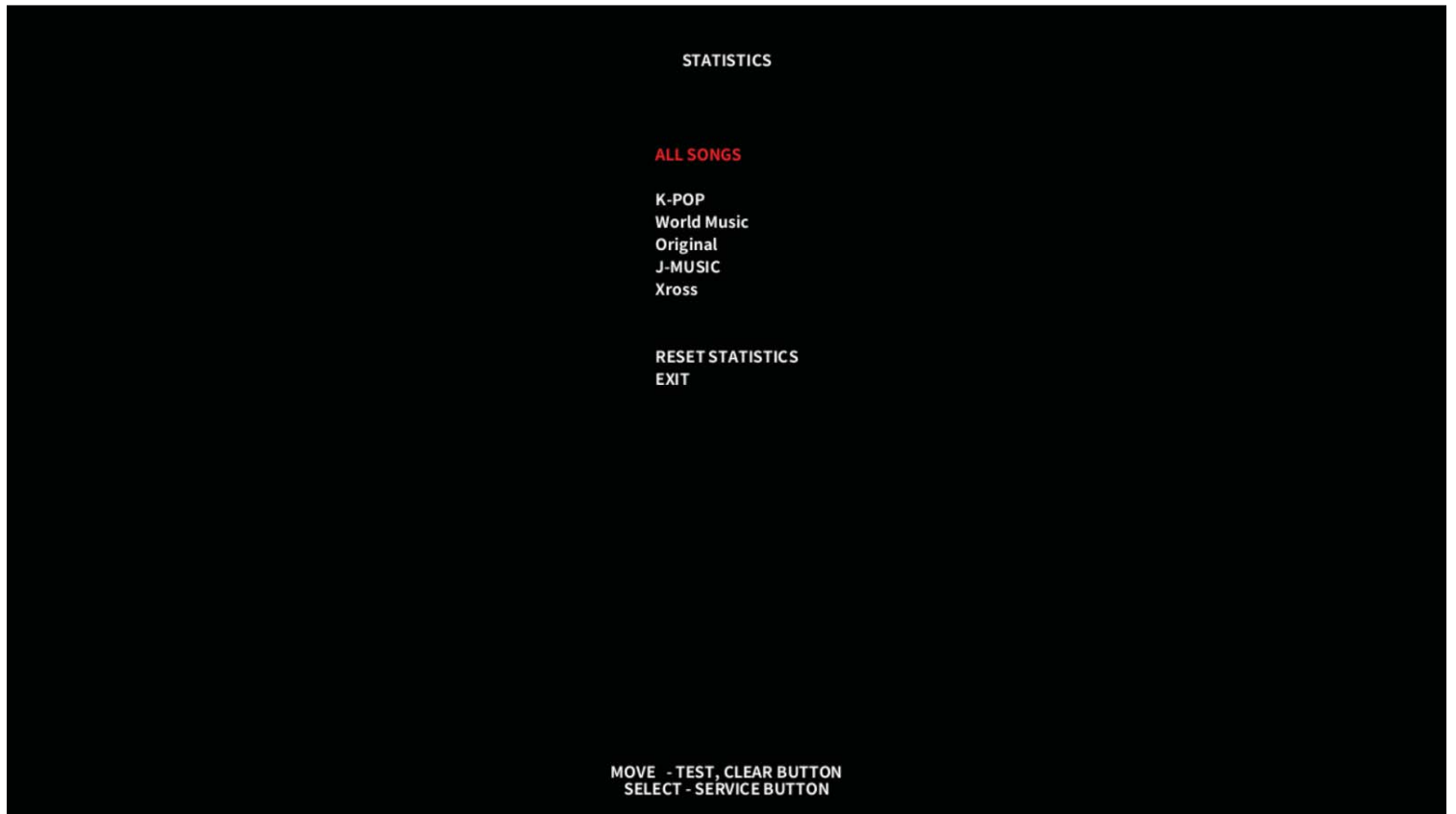
- YOU CAN INITIALIZE THE SERVICE COUNT, COIN COUNT AND INCOME STATISTIC



- SERVICE : CHECK SERVICE COUNT
- COIN 1 : CHECK COIN COUNT
- RESET BOOKKEEPING : INITIALIZE SERVICE, COIN COUNT
- RESET RANKING : INITIALIZING RANKINGS
- SAVE & EXIT : SAVE THE SETTING VALUE AND EXIT TO MENU

5-8. STATISTICS

- YOU CAN CHECK THE INFORMATION SUCH AS PLAYING TIME OF MACHINES, PLAY NUMBERS, FAVORITE SONGS AND MODE



- ALL SONGS : CHECK PLAY COUNT OF ALL SONGS
- K-POP : CHECK PLAY COUNT OF K-POP
- WORLD MUSIC : CHECK PLAY COUNT OF WORLD MUSIC
- ORIGINAL : CHECK PLAY COUNT OF PIU ORIGINAL
- J-MUSIC : CHECK PLAY COUNT OF J-MUSIC
- XROSS : CHECK PLAY COUNT OF XROSS
- RESET STATISTICS : INITIALIZE THE STATISTICS

5-9. RESTRICTION

- YOU CAN RESTRICT SONGS ON THE LIST AND PROHIBIT PLAYING

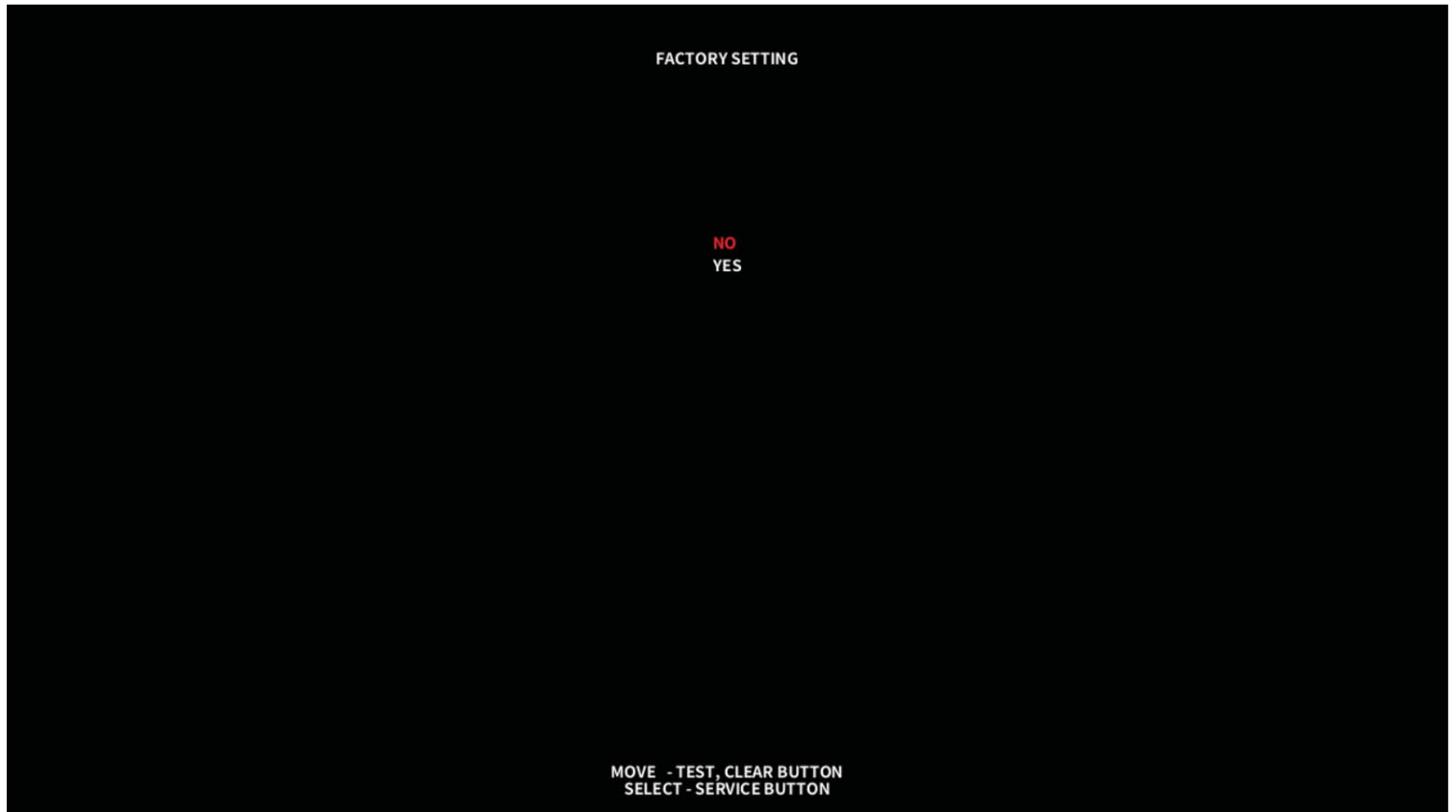


- K-POP : PROHIBIT PLAYING AMONG K-POP
- WORLD MUSIC : PROHIBIT PLAYING AMONG WORLD MUSIC
- ORIGINAL : PROHIBIT PLAYING AMONG PIU ORIGINAL
- J-MUSIC : PROHIBIT PLAYING AMONG J-MUSIC
- XROSS : PROHIBIT PLAYING AMONG XROSS

5-10. FACTORY SETTING

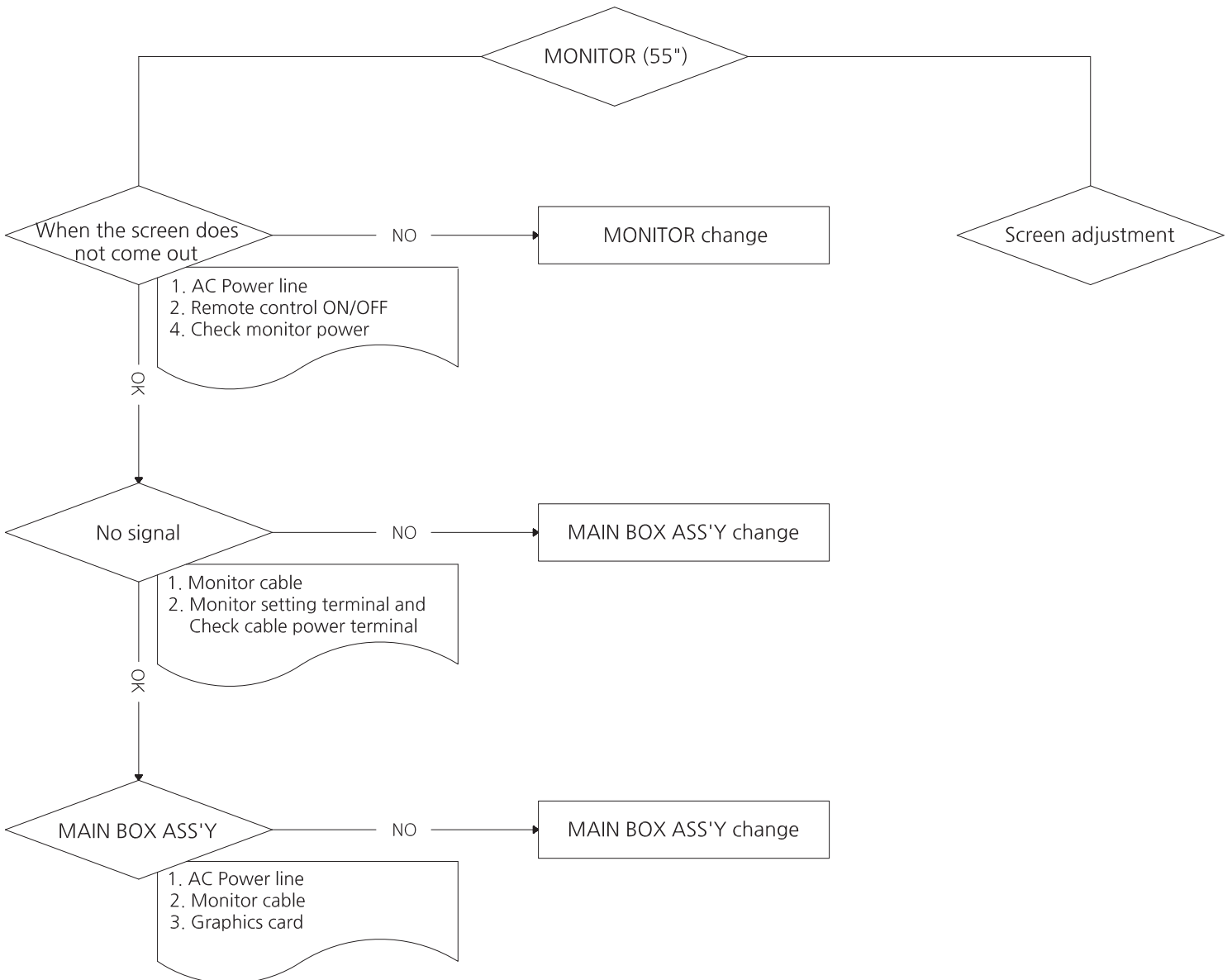
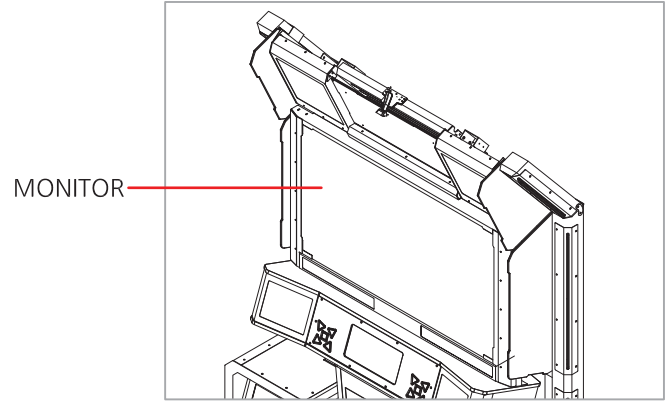
- YOU CAN INITIALIZE THE ENVIRONMENT SETTING STATUS AS FACTORY SETTING

! ALL DATA WILL BE INITIALIZED SO CAREFULLY INITIALIZE IT

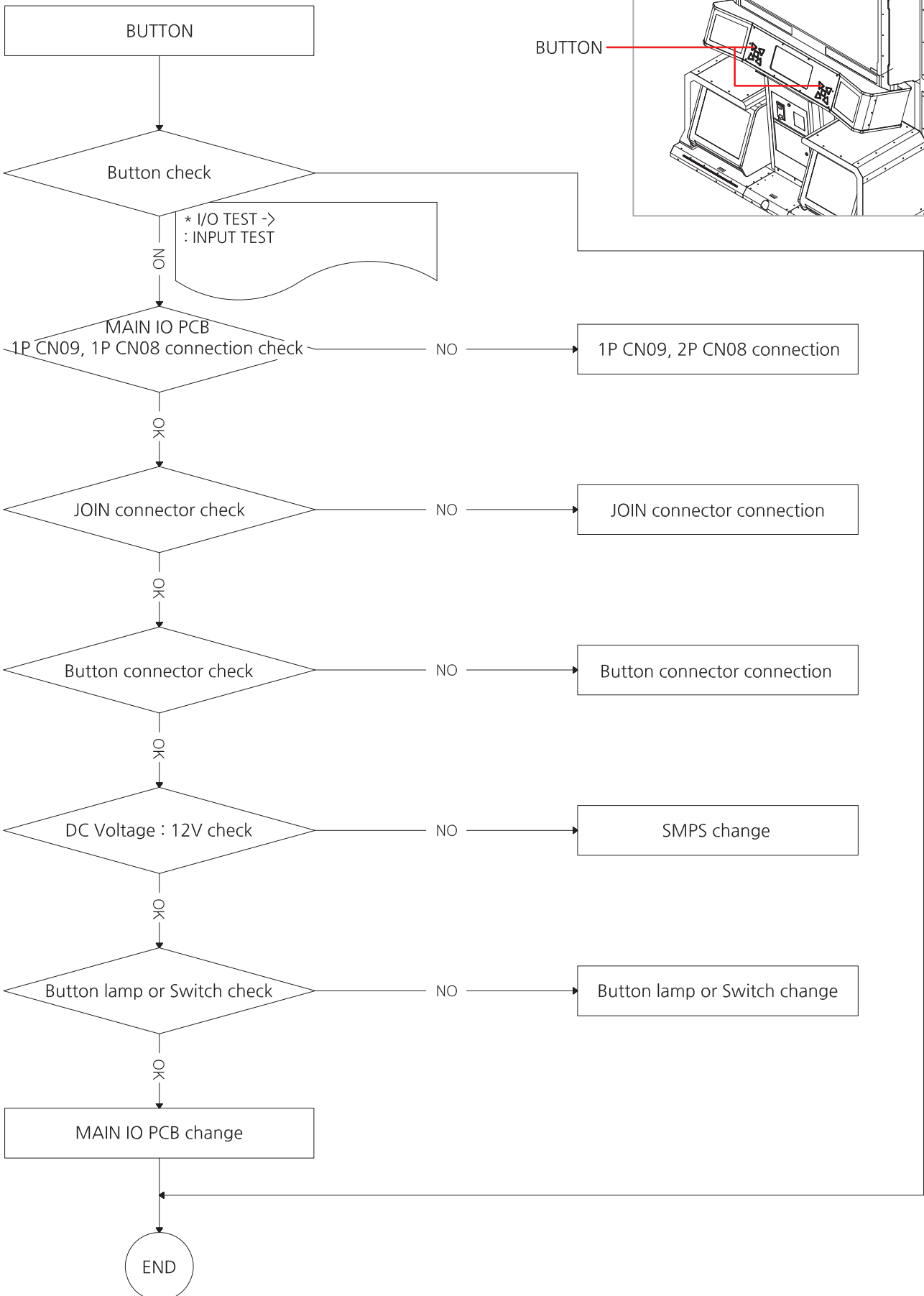


6. TROUBLESHOOTING

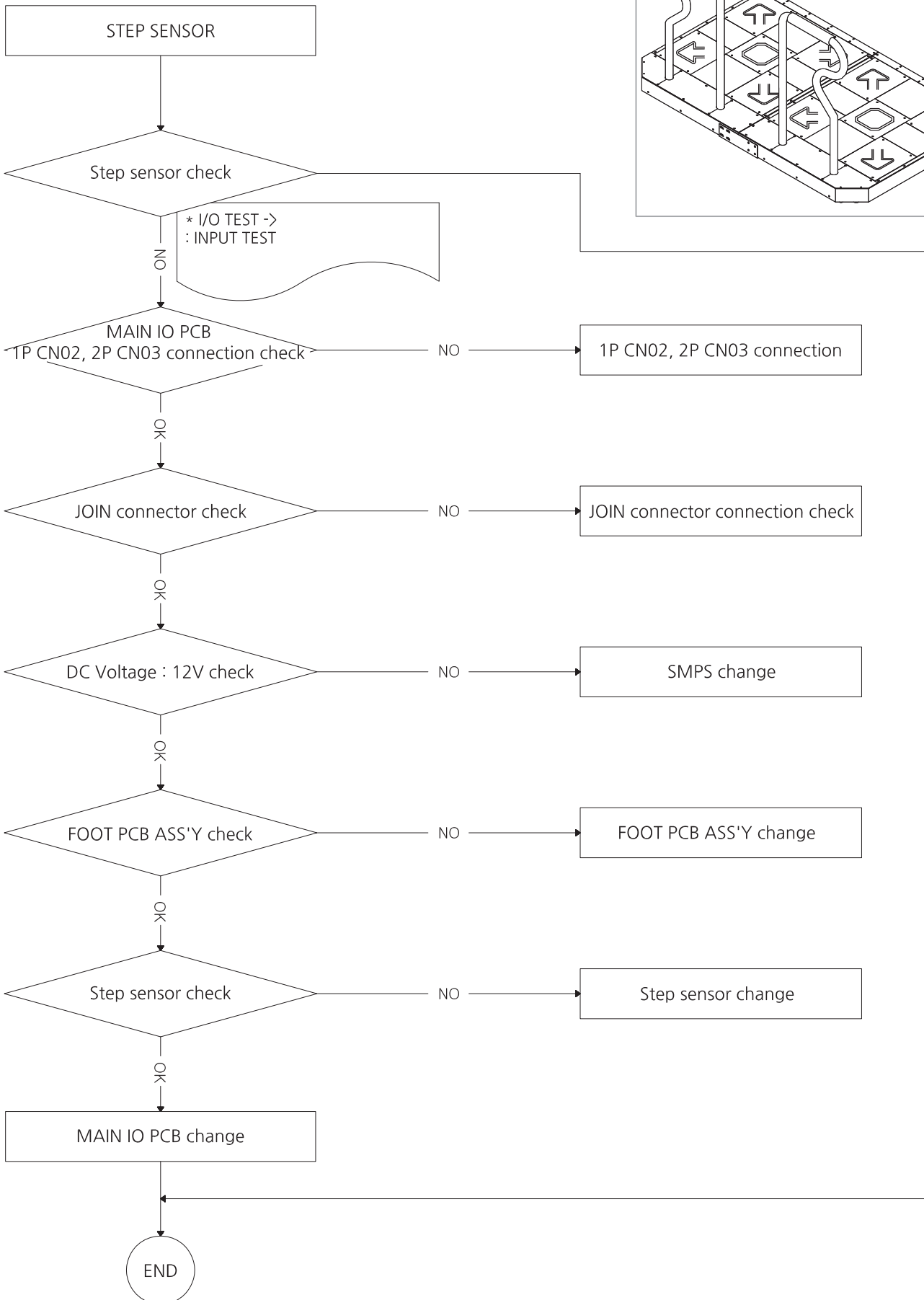
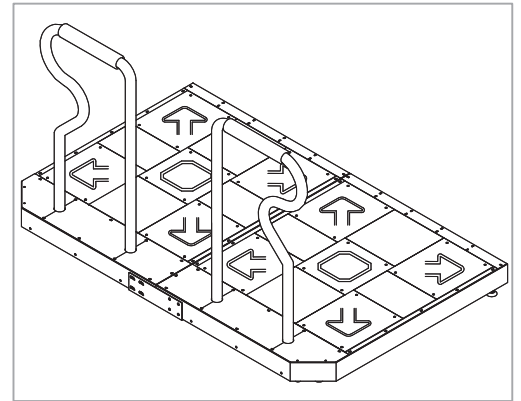
6-1. MONITOR



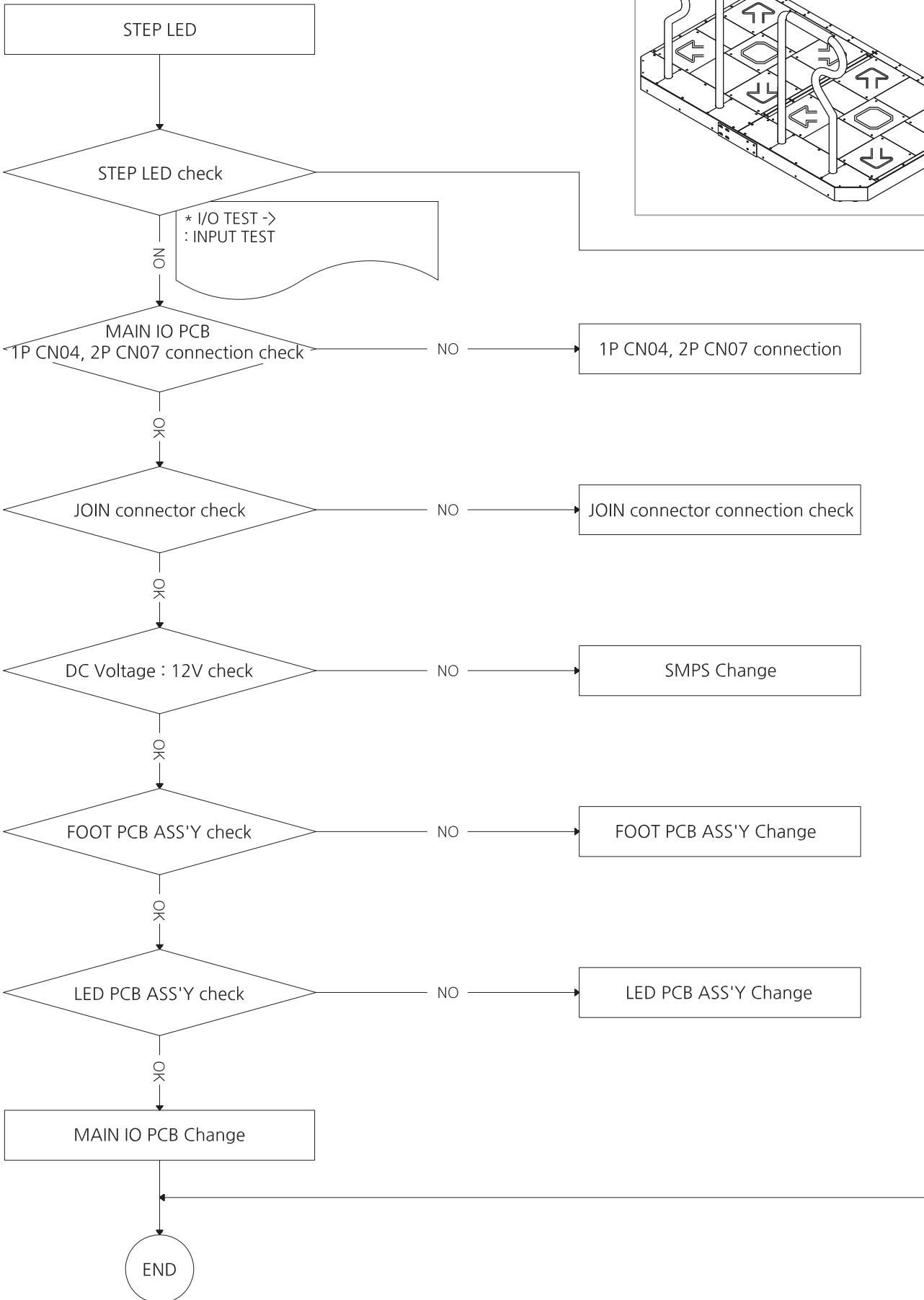
6-2. BUTTON



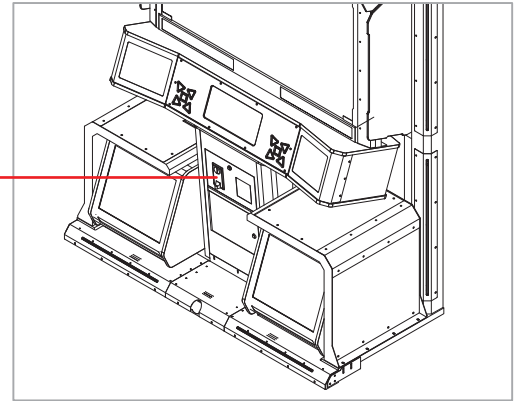
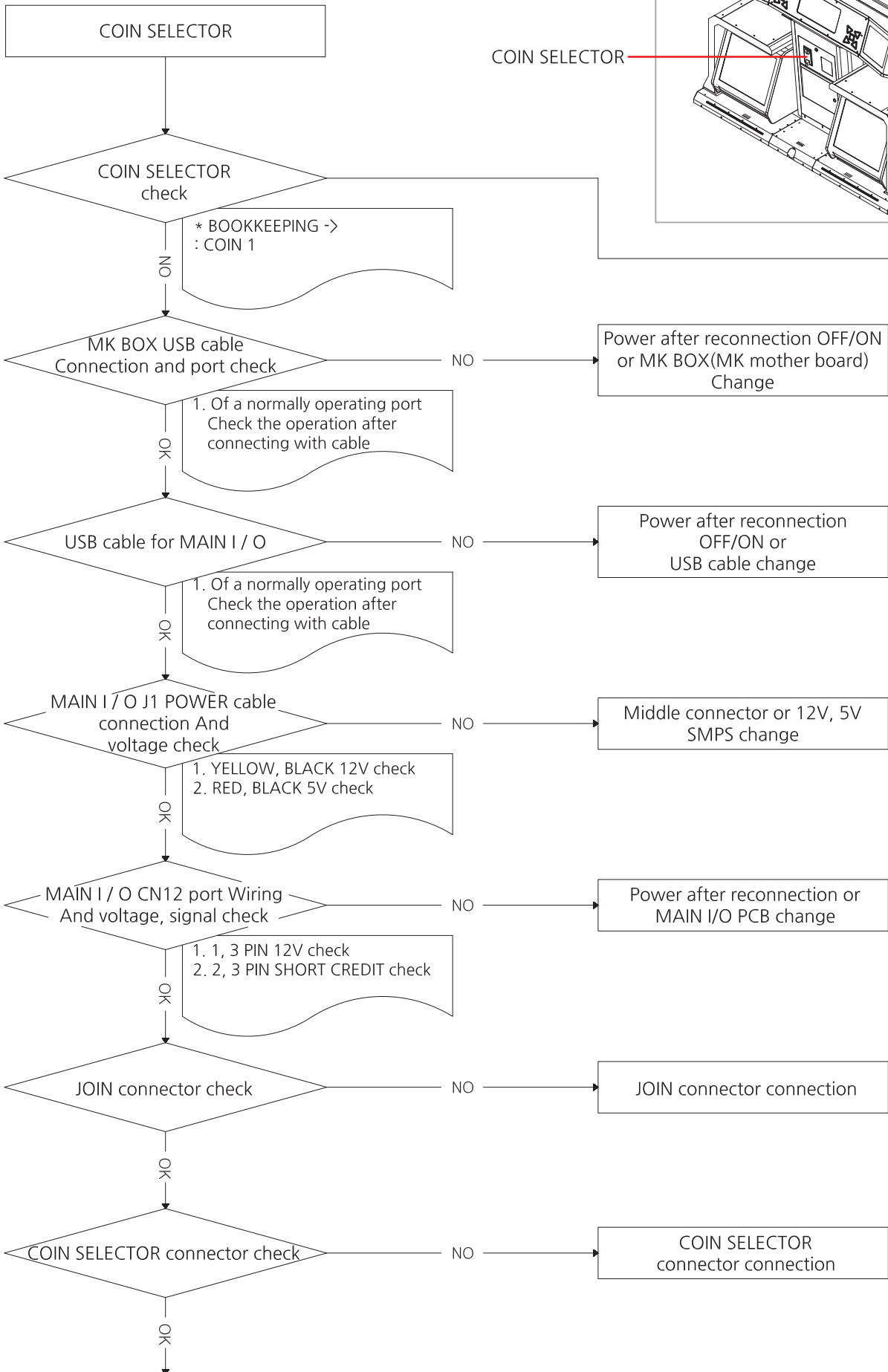
6-3. STEP SENSOR



6-4. STEP LED



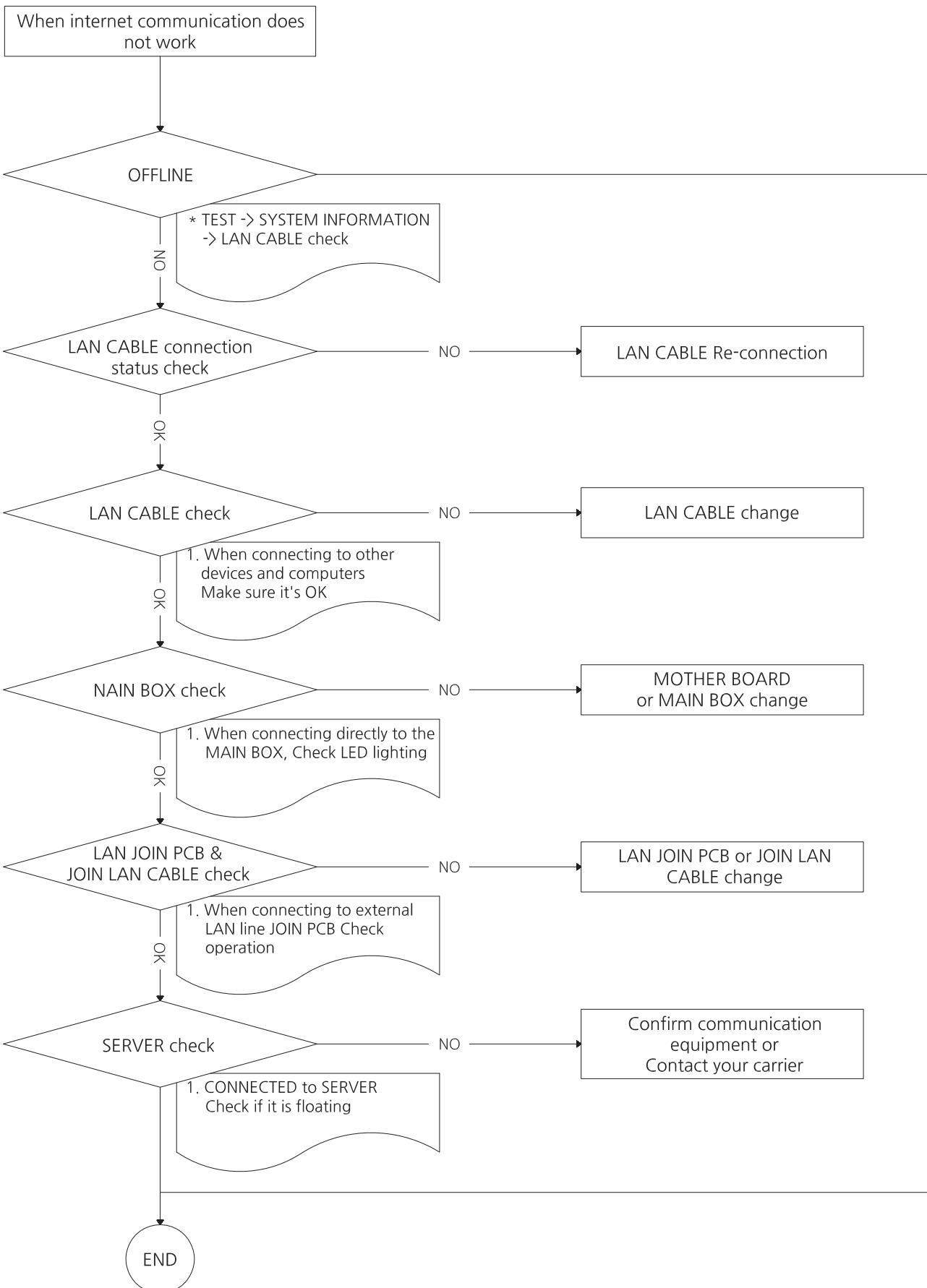
6-5. COIN SELECTOR



COIN SELECTOR change

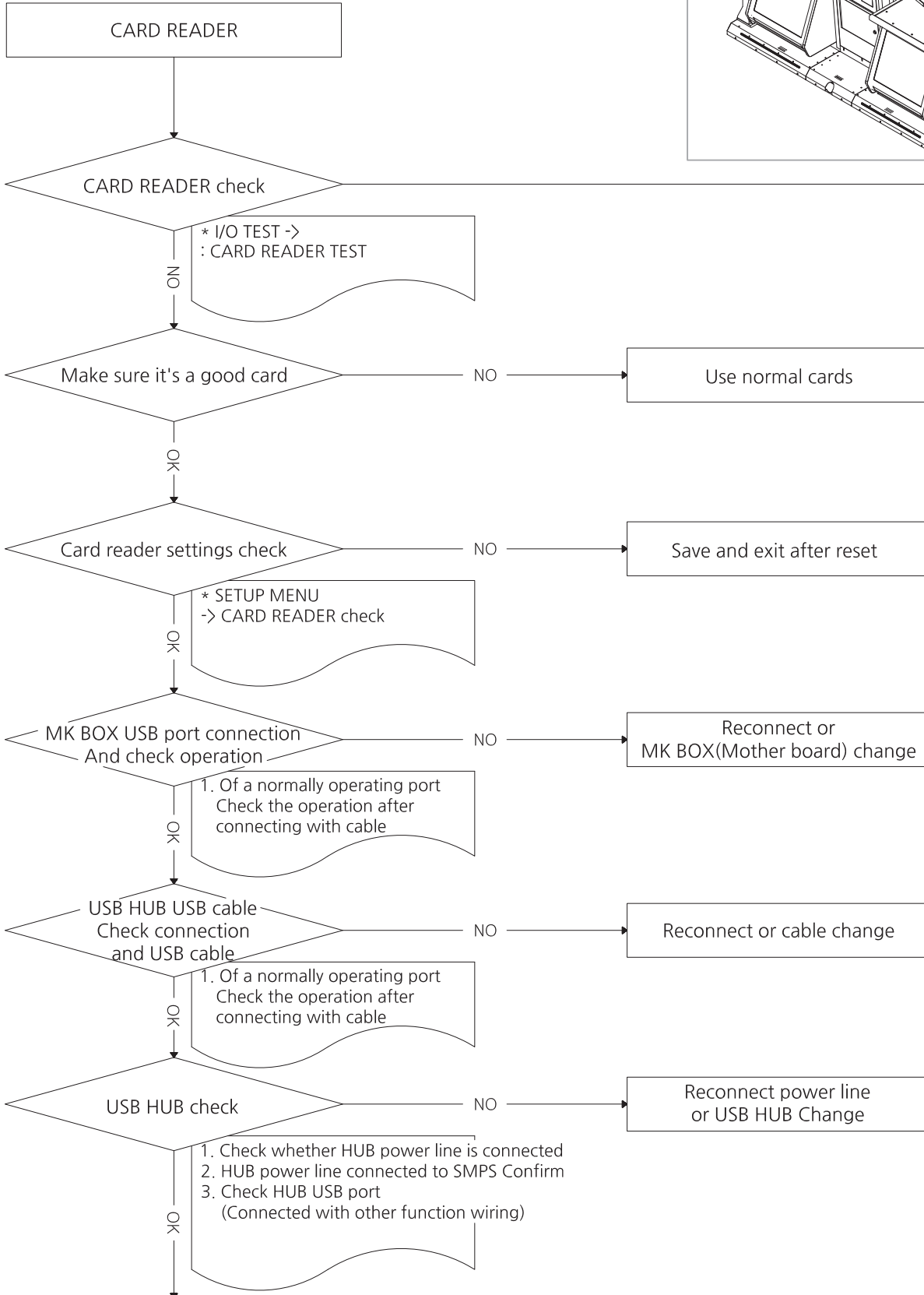
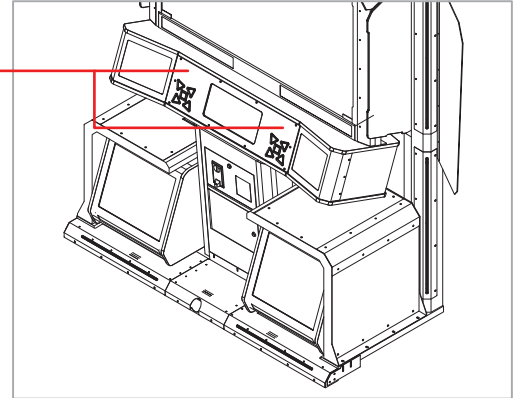
END

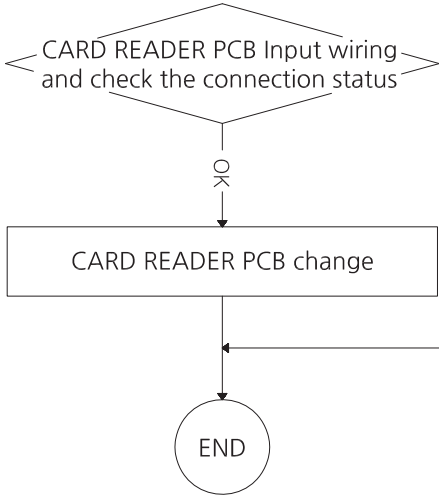
6-6. WHEN INTERNET COMMUNICATION DOES NOT WORK



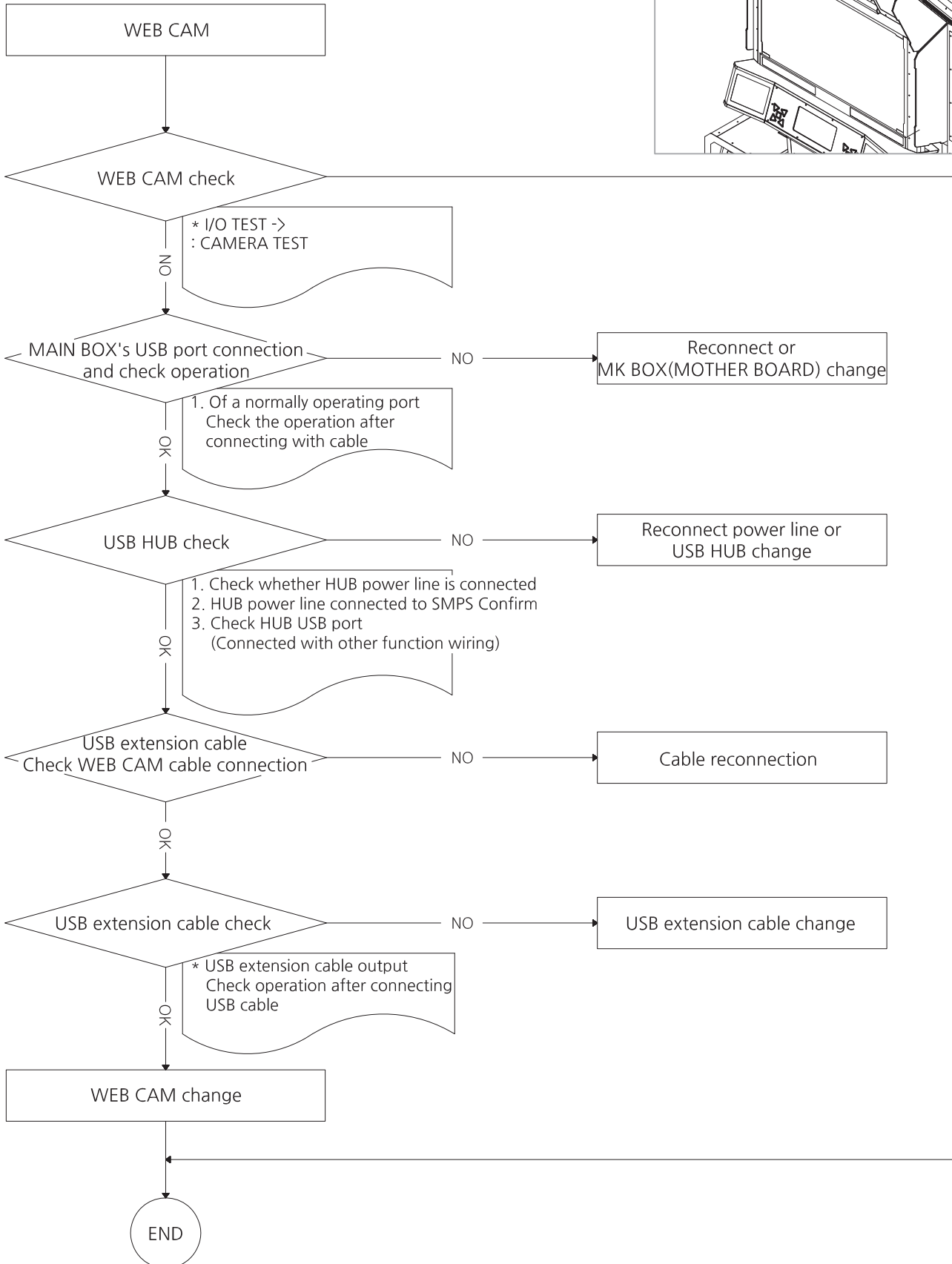
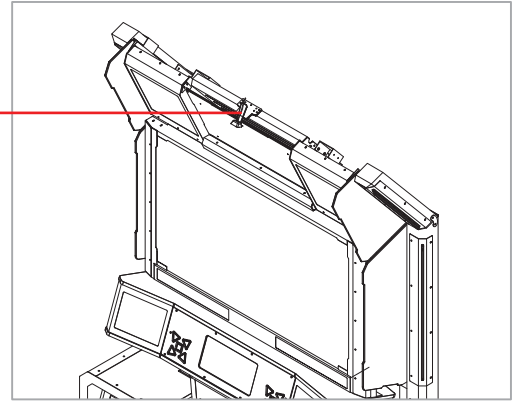
6-7. CARD READER ERROR

CARD READER

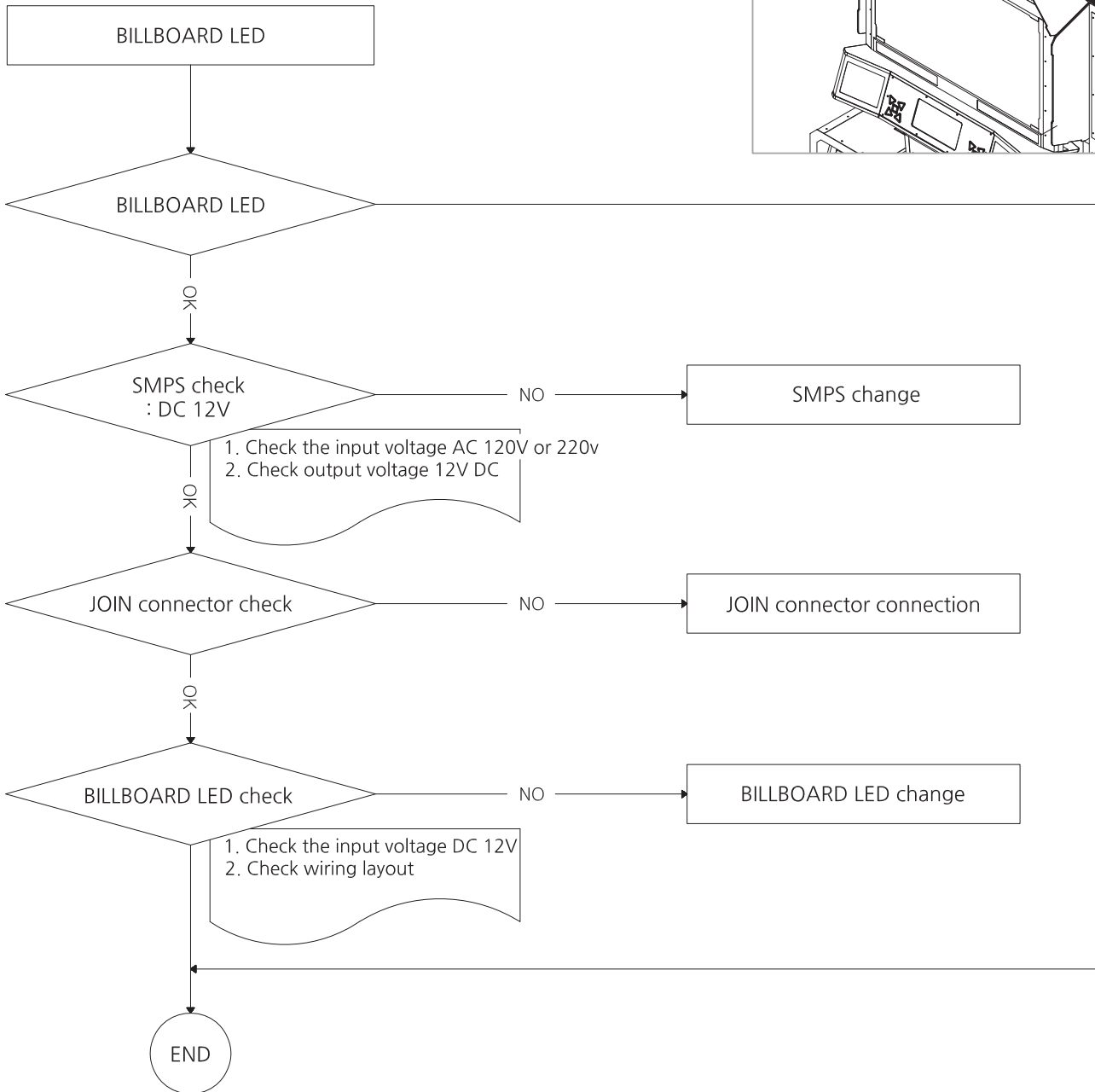
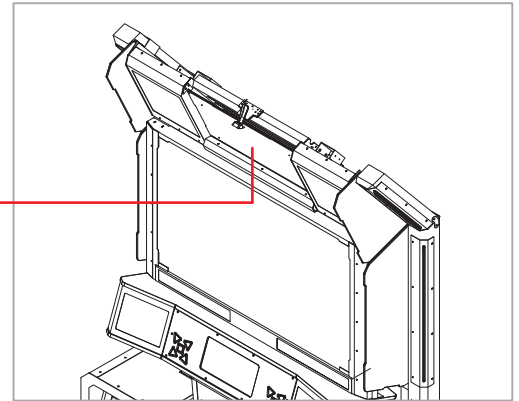




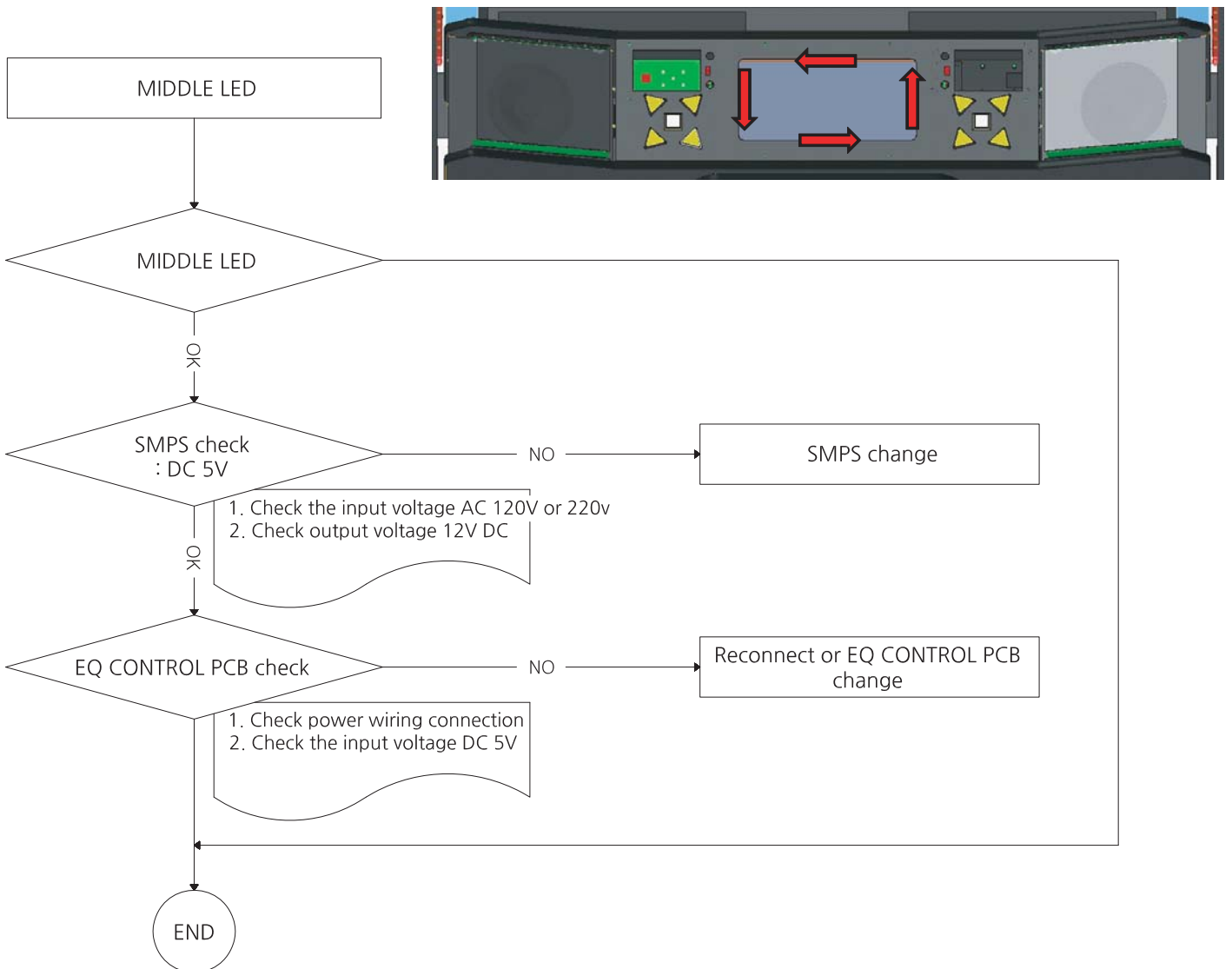
6-8.WEB CAM ERROR



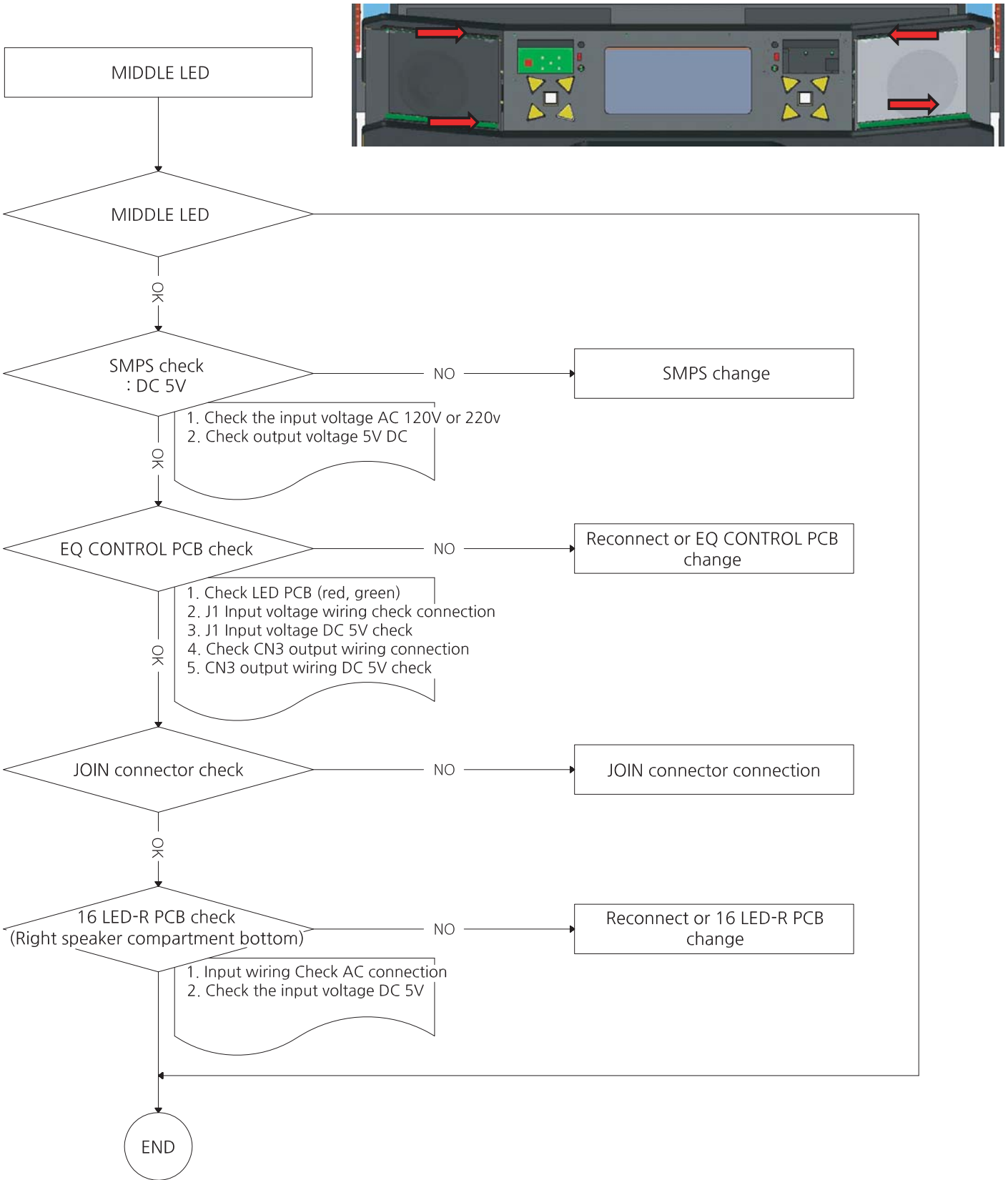
6-9. BILLBOARD LED ERROR



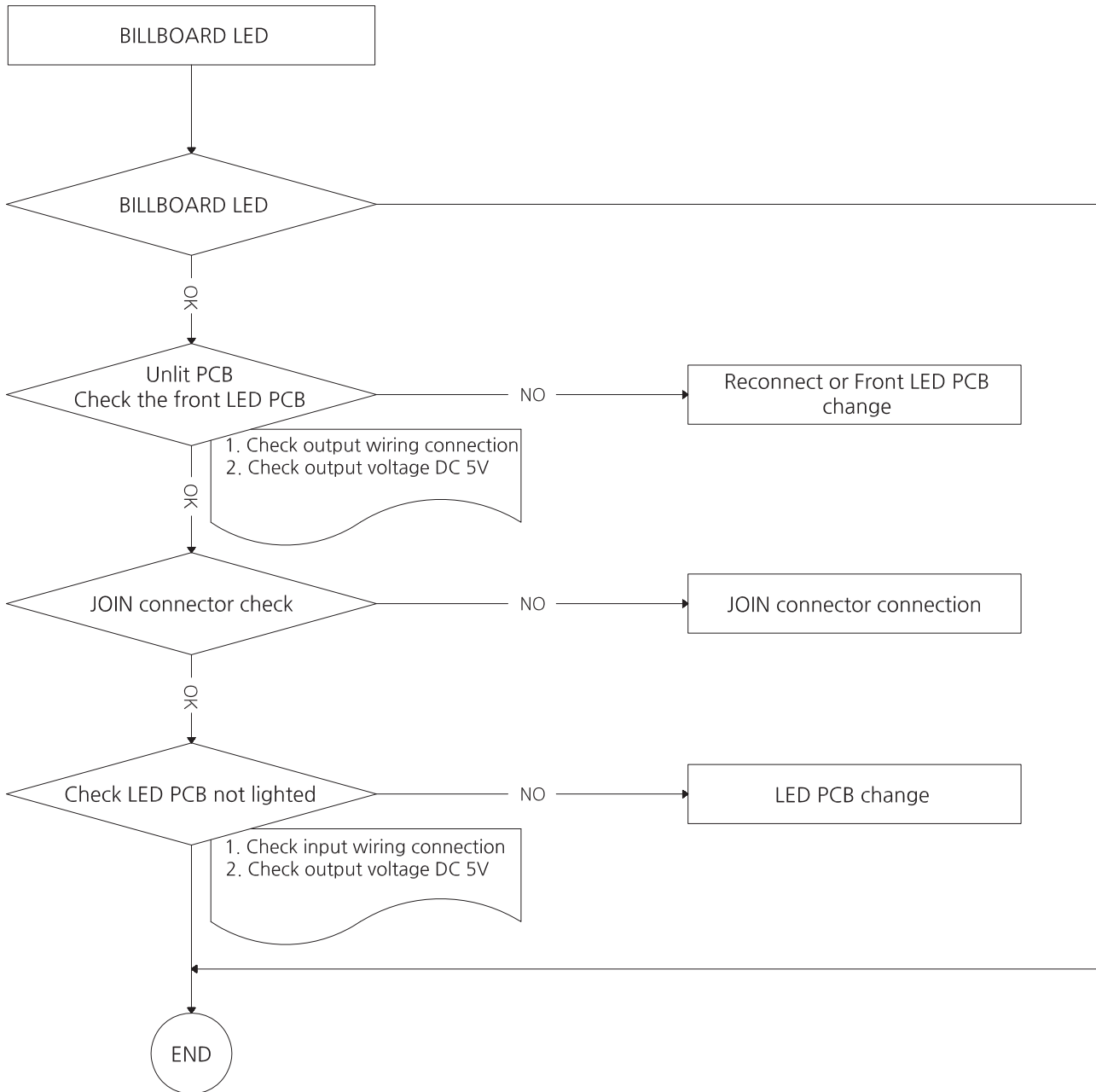
6-10.MIDDLE LED PCB ERROR_CENTER (all)



6-11.MIDDLE LED PCB ERROR_L,R (all)

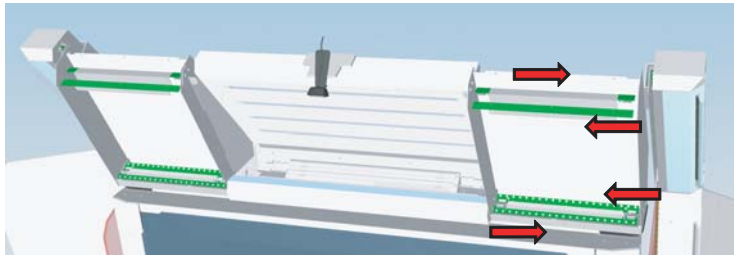
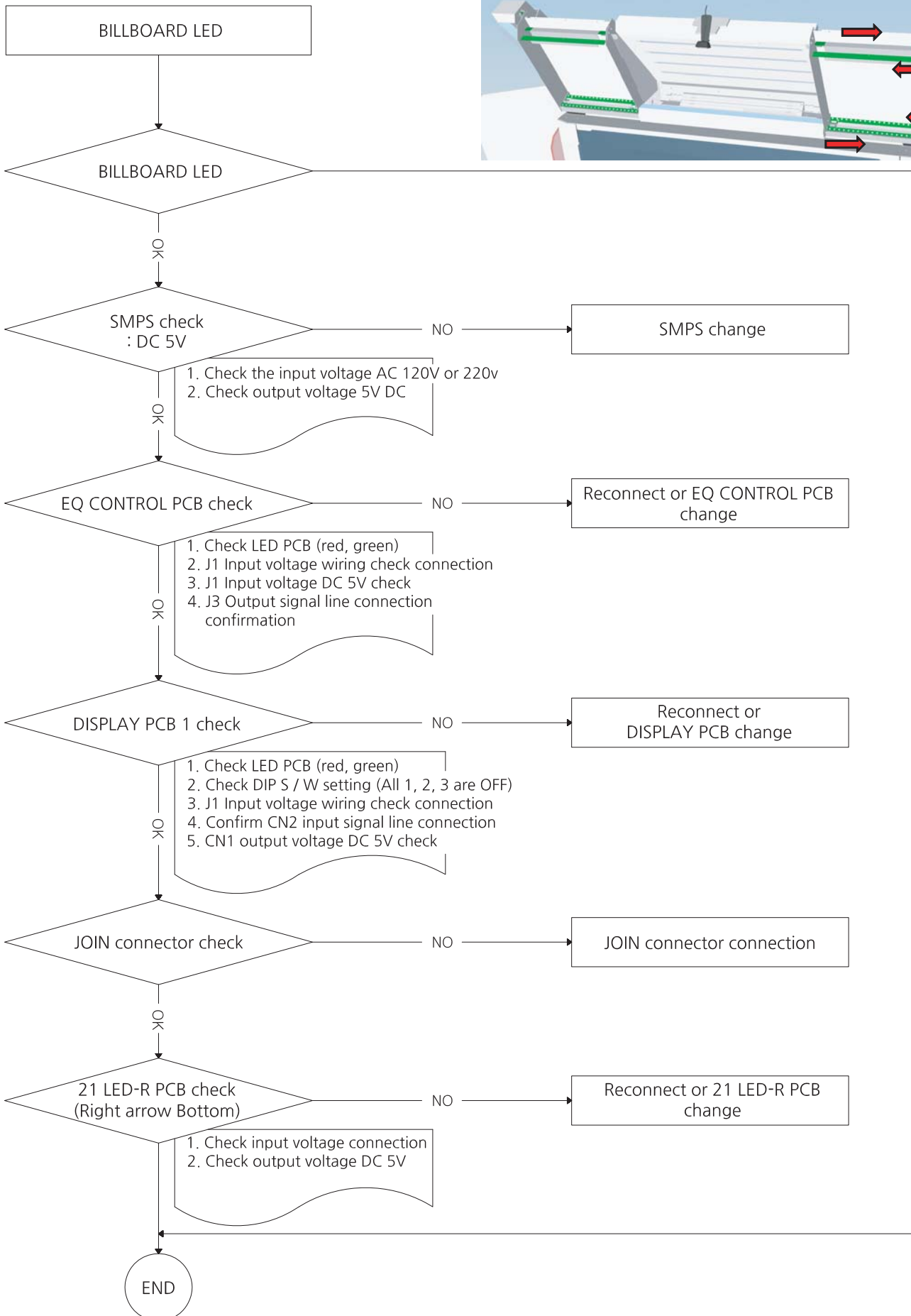


* MIDDLE LED PCB ERROR (part)

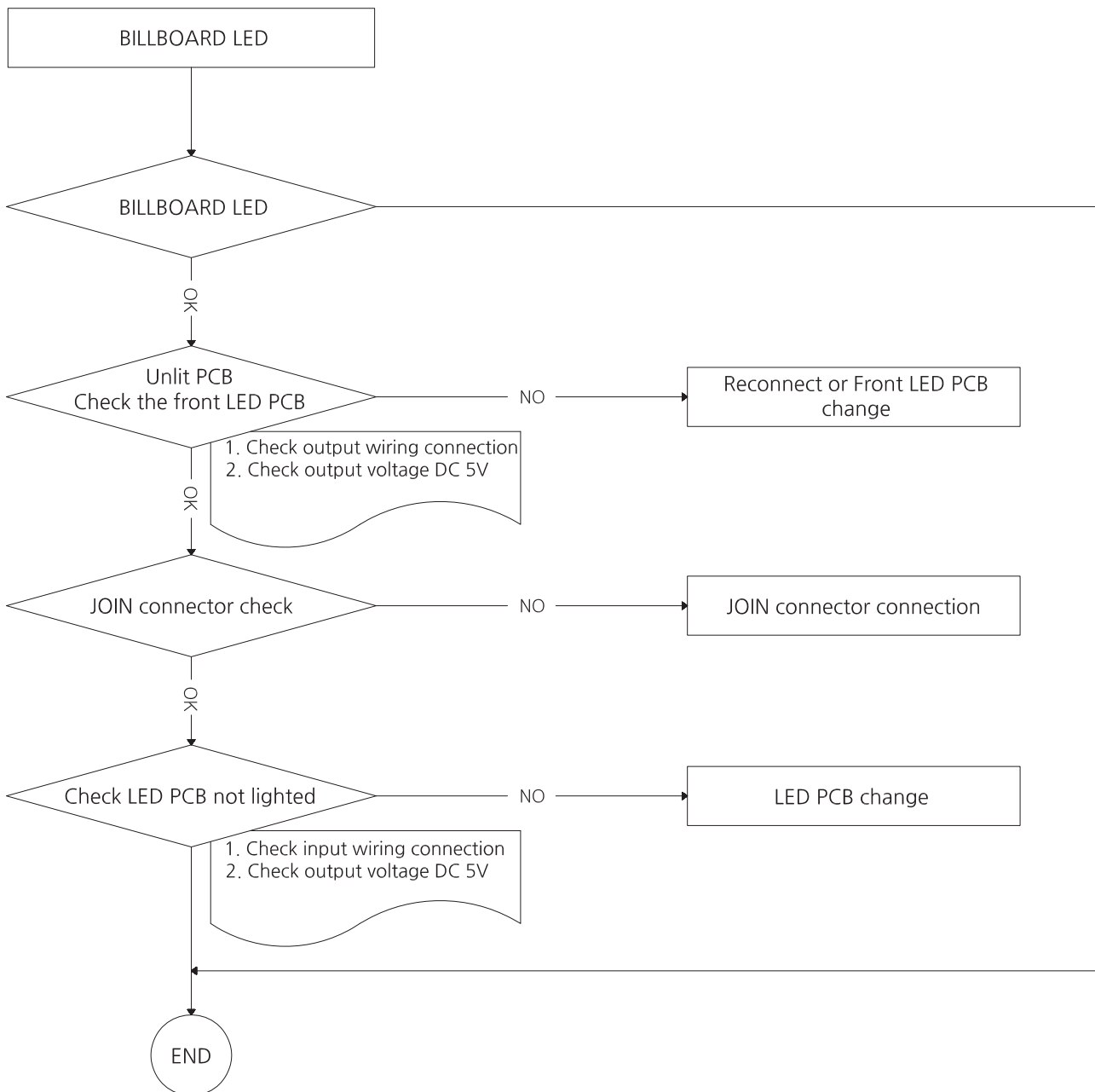


* LED DOT Only one color is wrong or not lit - Replace corresponding LED or replace LED PCB

6-12. BILLBOARD LED PCB ERROR (all)

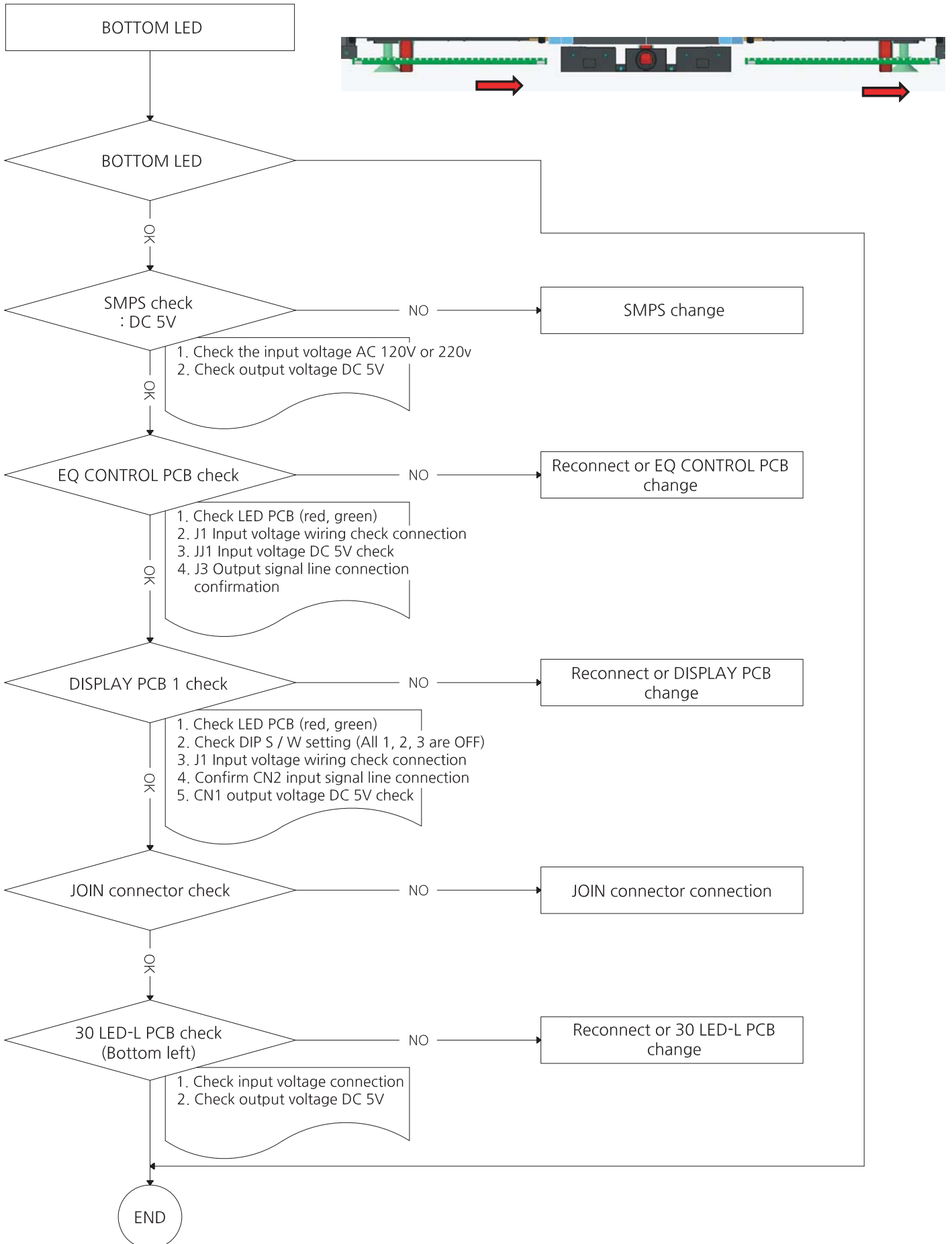


* BILLBOARD LED PCB ERROR (part)

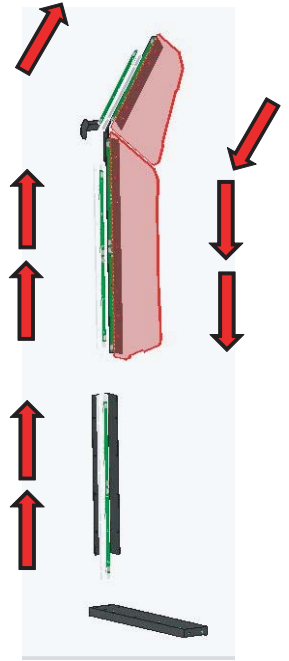
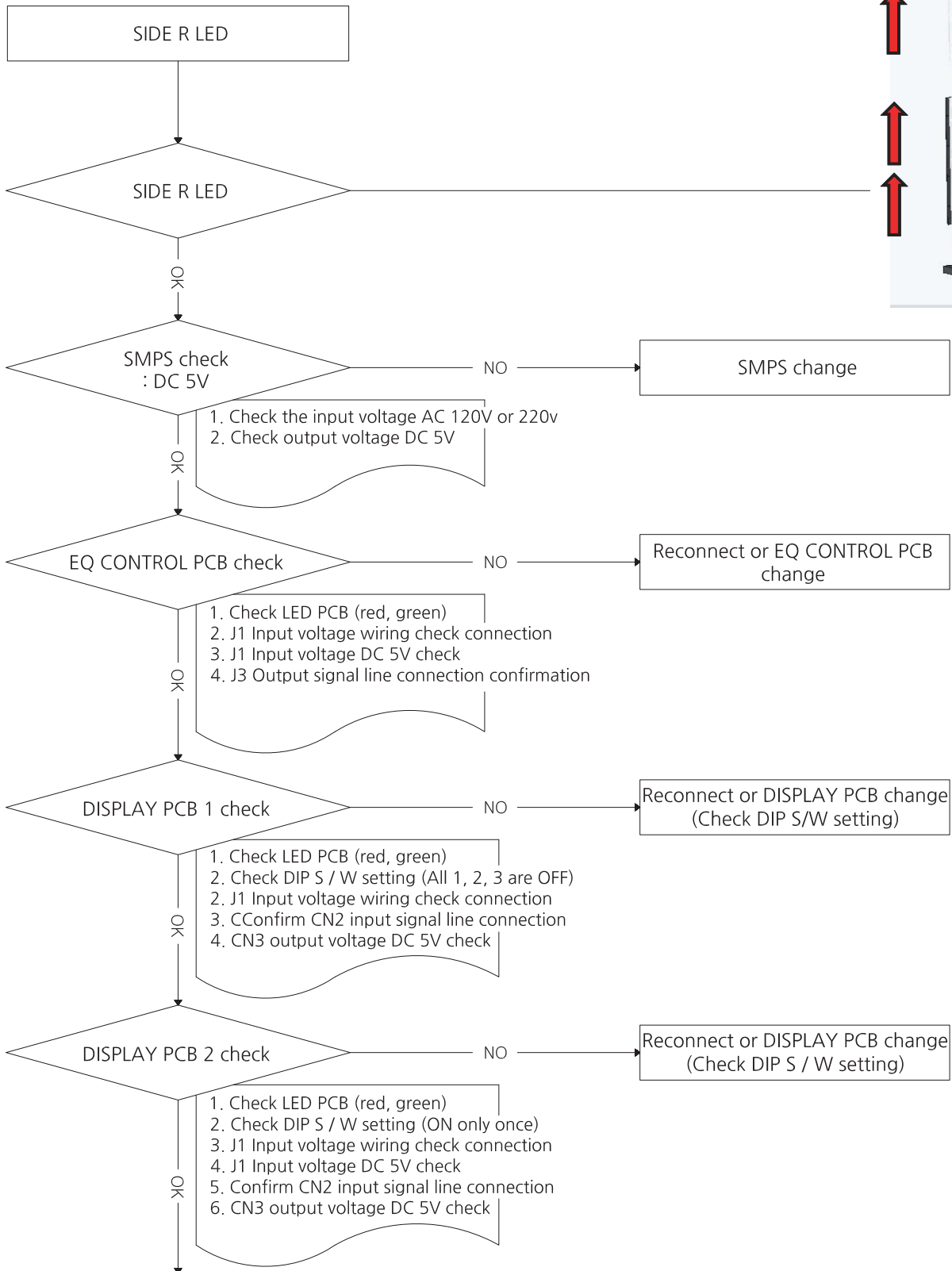


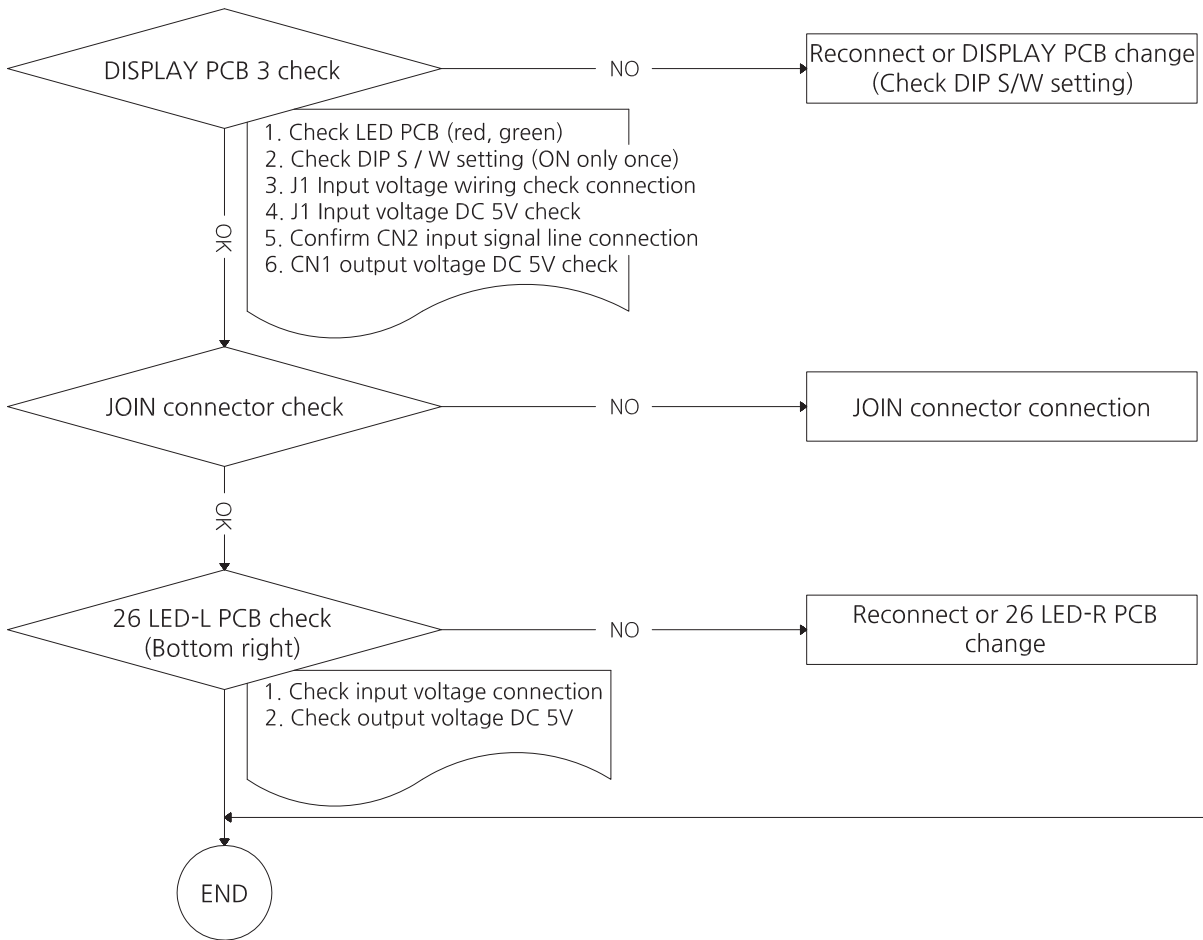
* LED DOT Only one color is wrong or not lit - Replace corresponding LED or replace LED PCB

6-13. BOTTOM LED PCB ERROR (all)

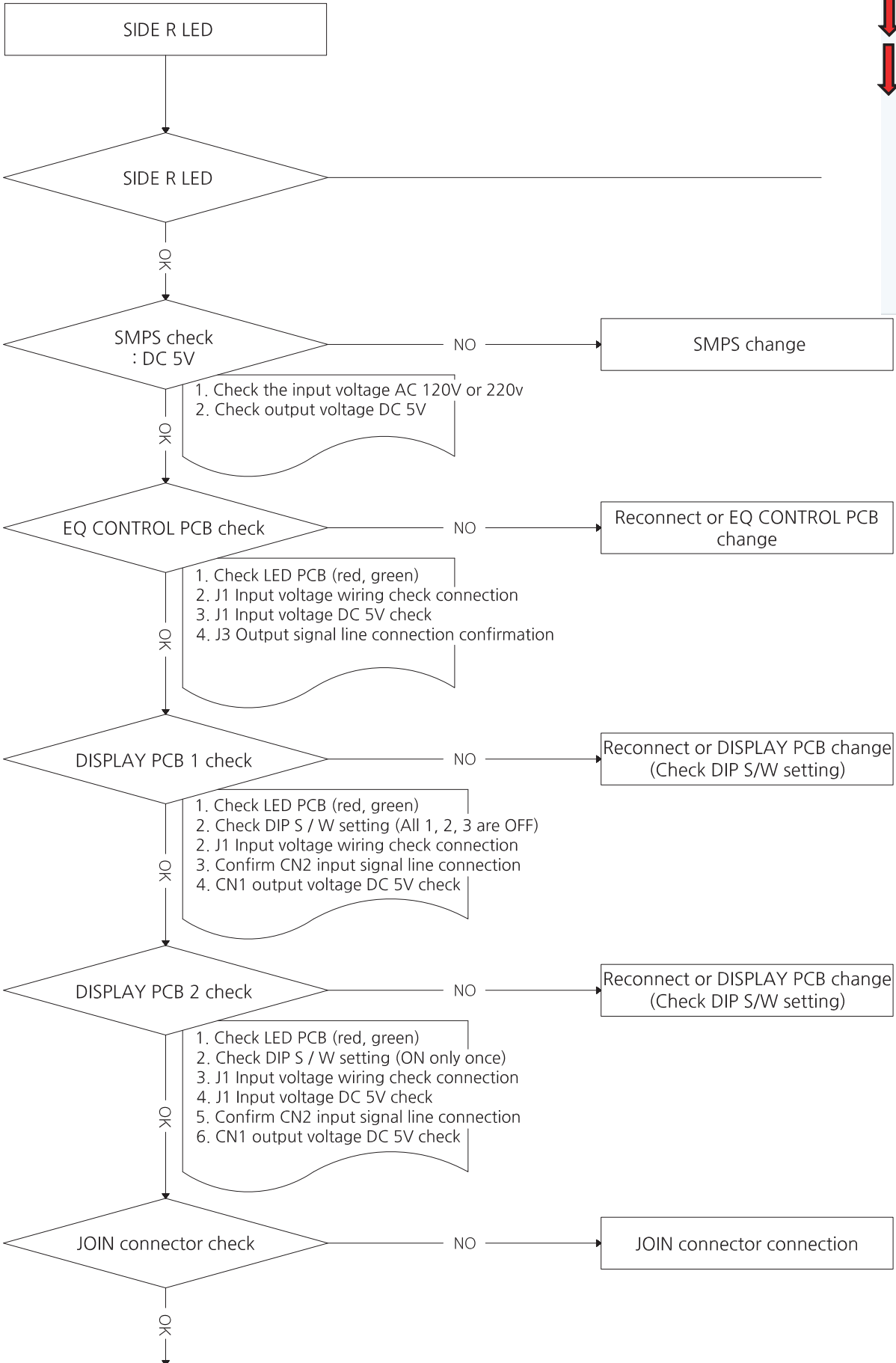
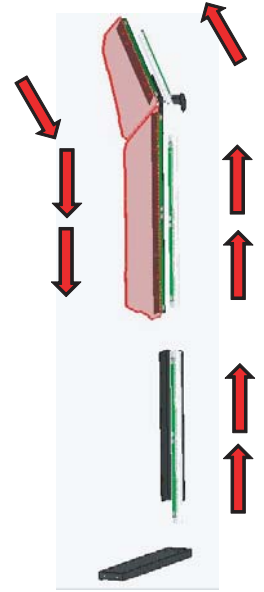


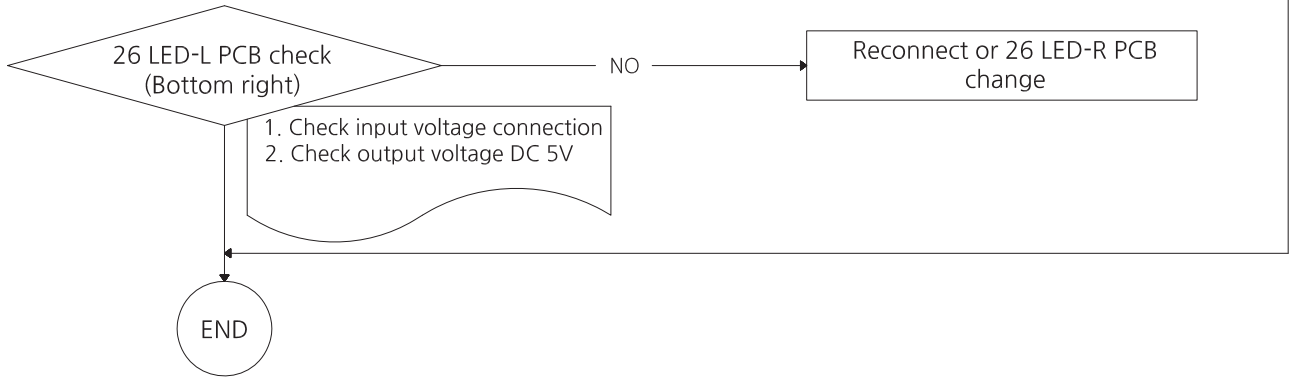
6-14.SIDE L LED ERROR (all)



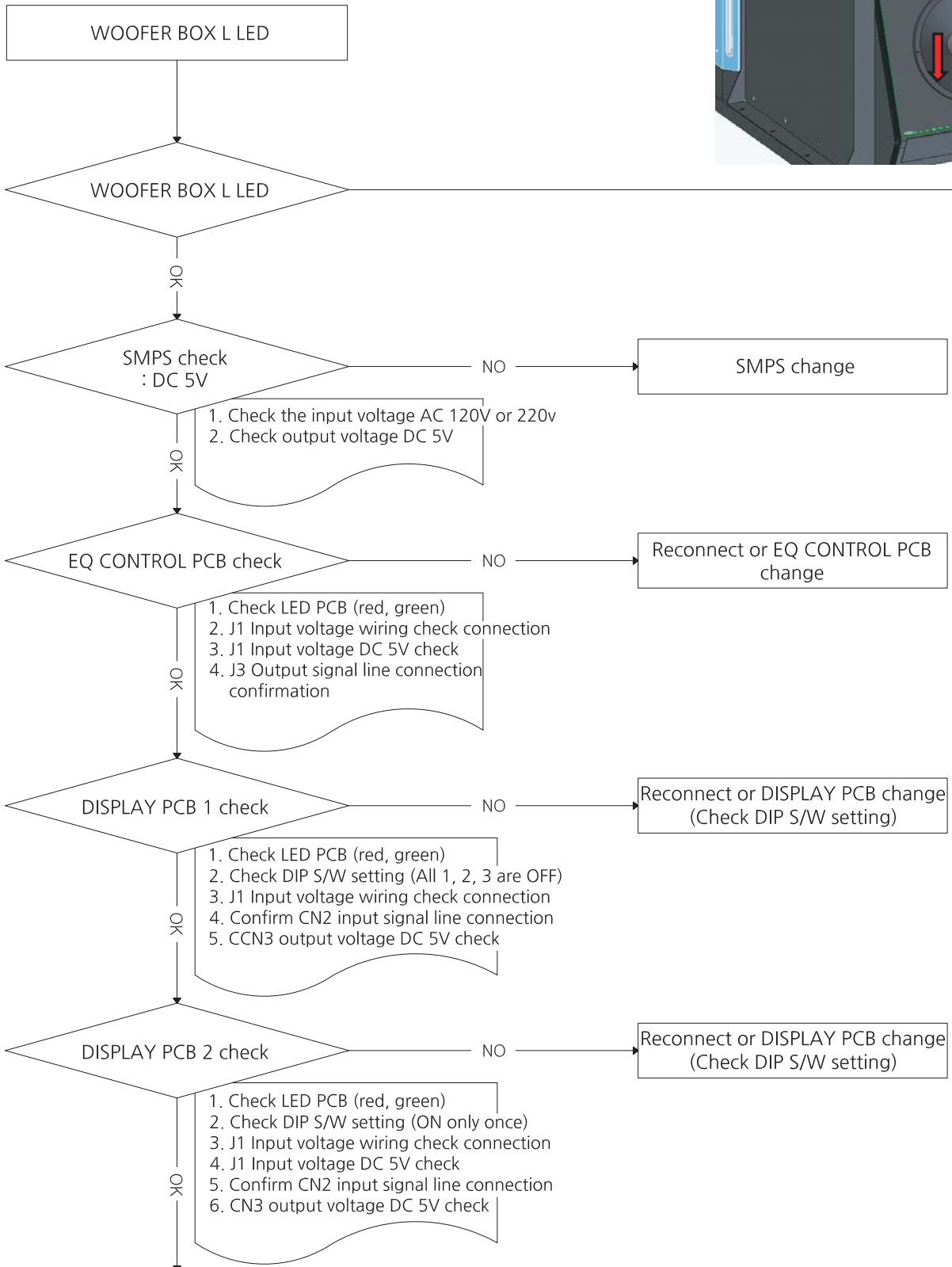
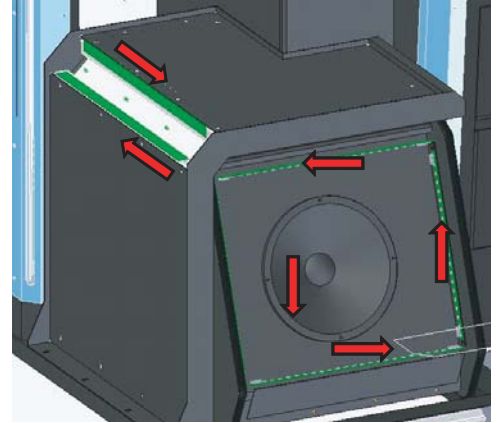


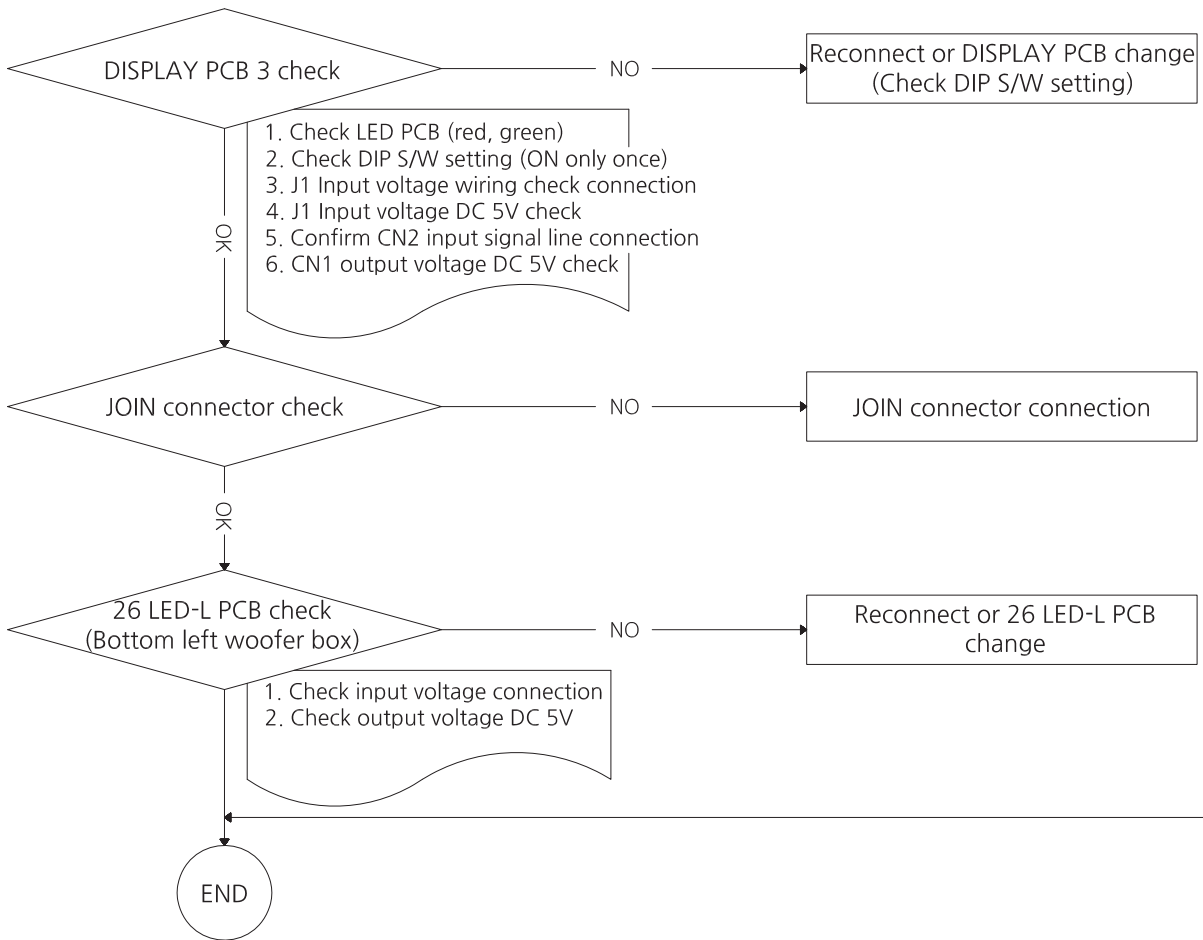
6-15.SIDE R LED ERROR (all)



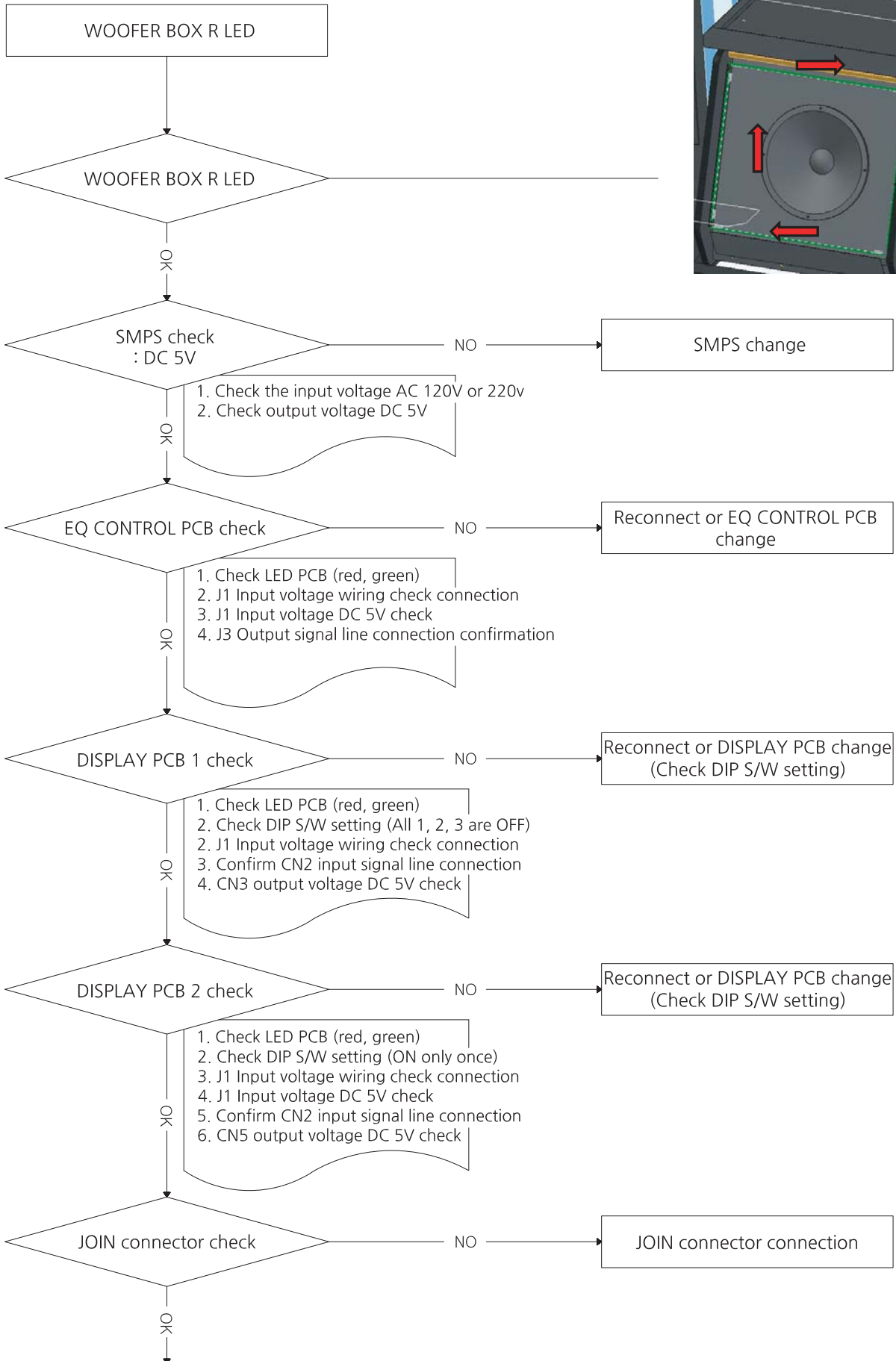
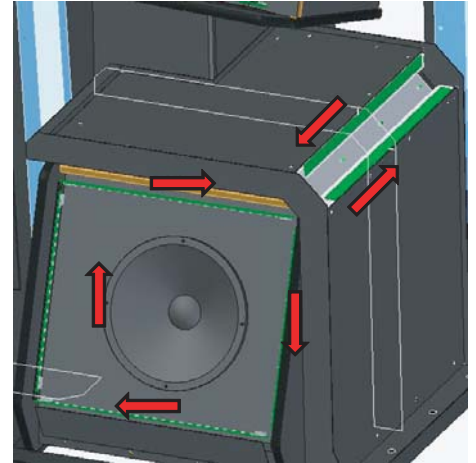


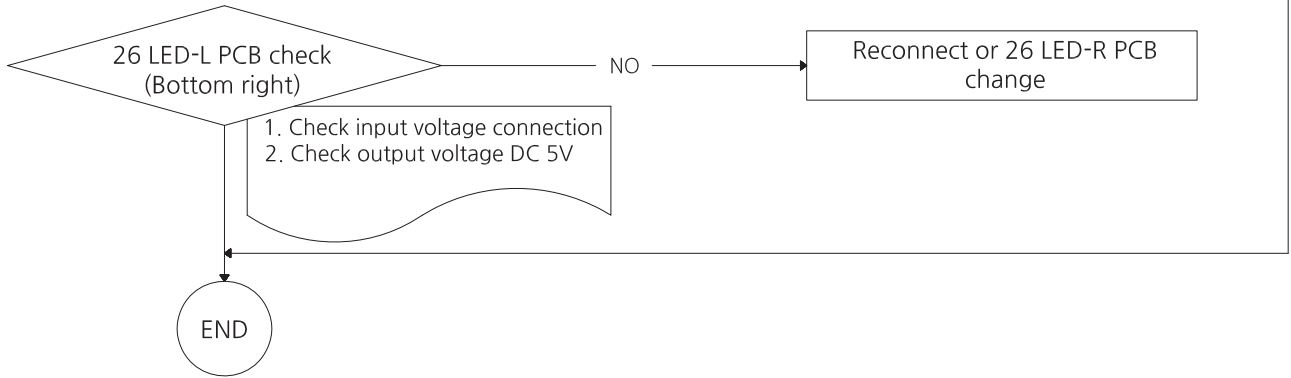
6-16.WOOFER BOX L LED ERROR (all)



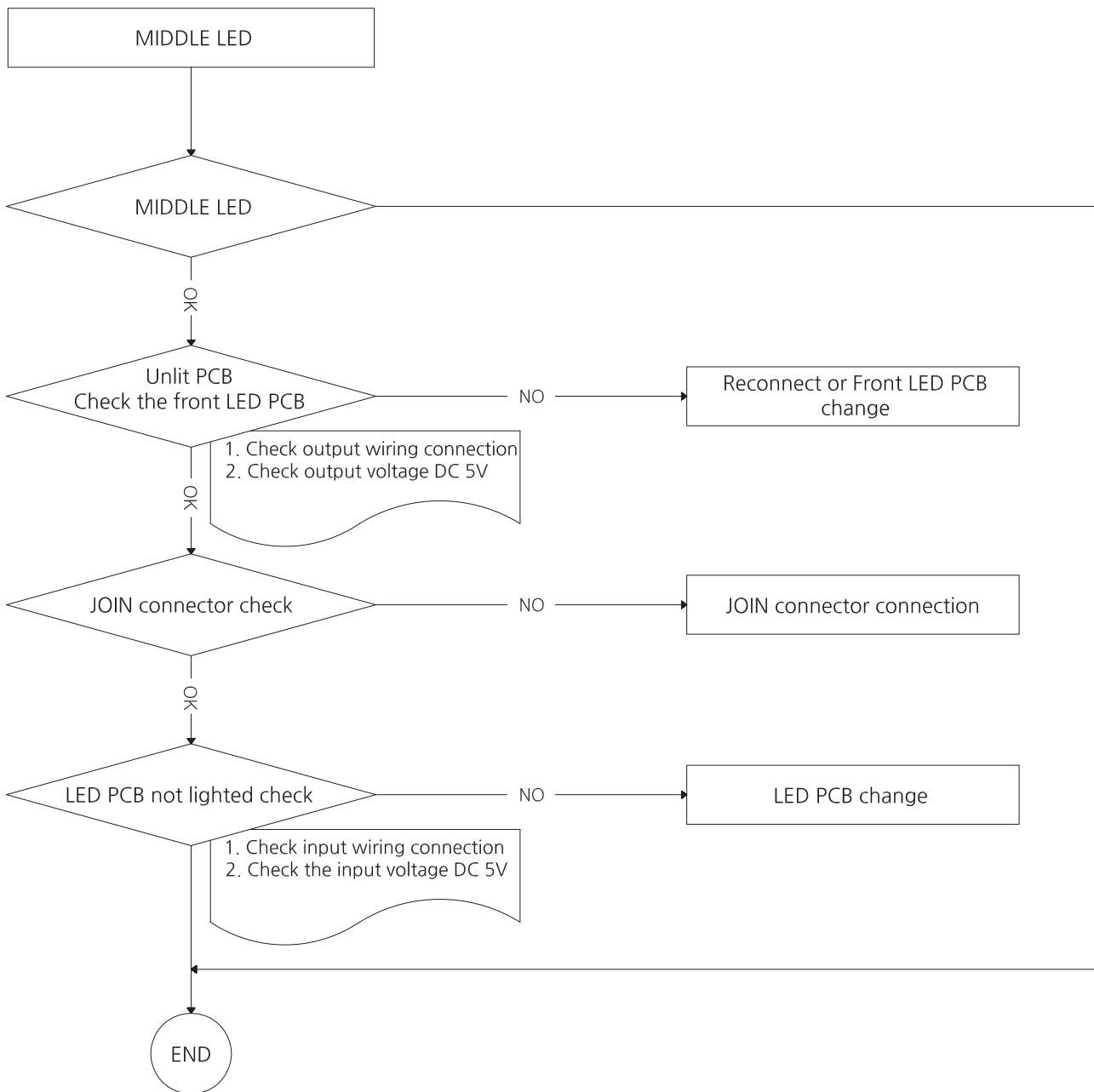


6-17.WOOFER BOX R LED ERROR (all)



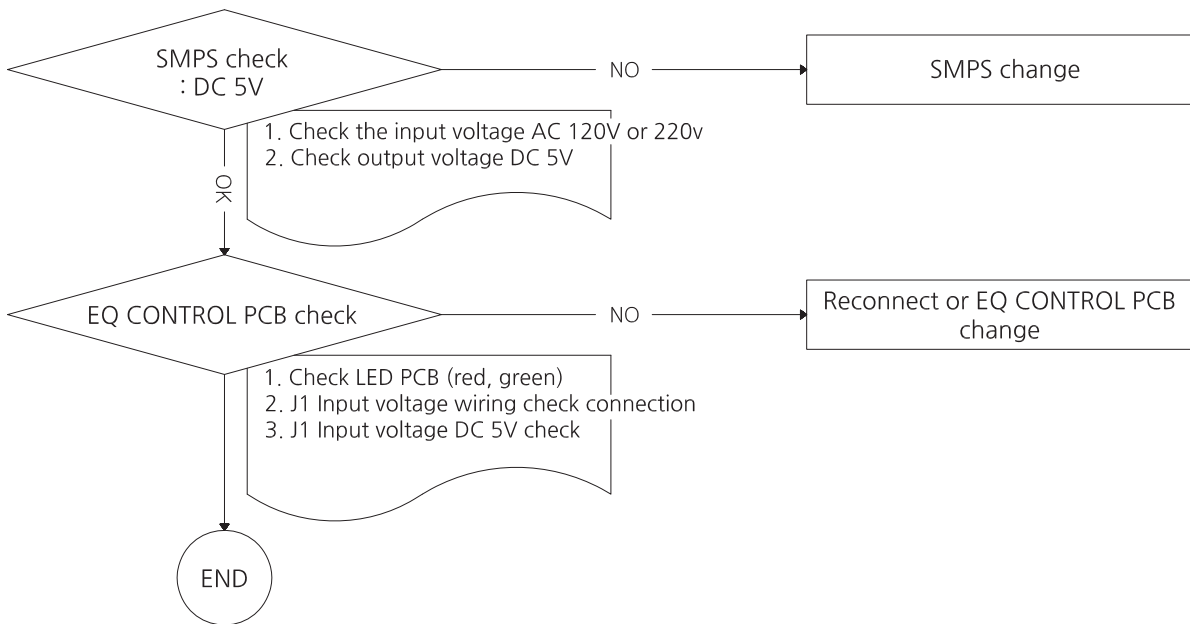


* COMMON_LED PCB ERROR (part)

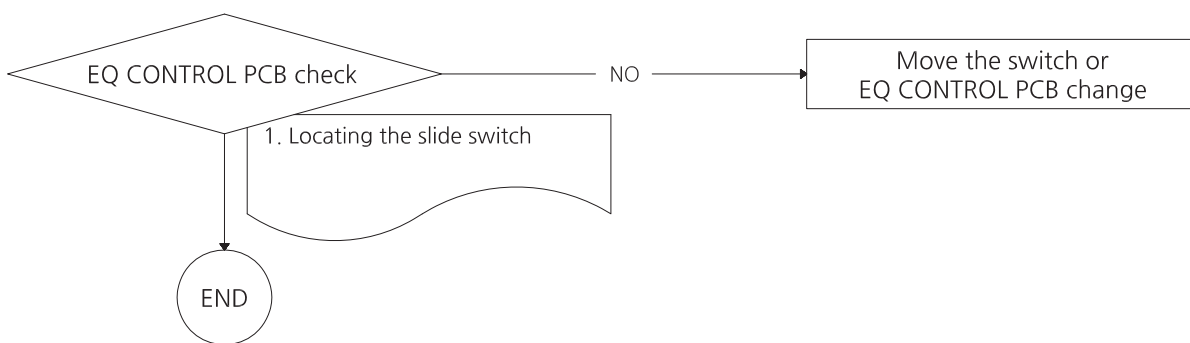


* LED DOT Only one color is wrong or not lit - Replace corresponding LED or replace LED PCB

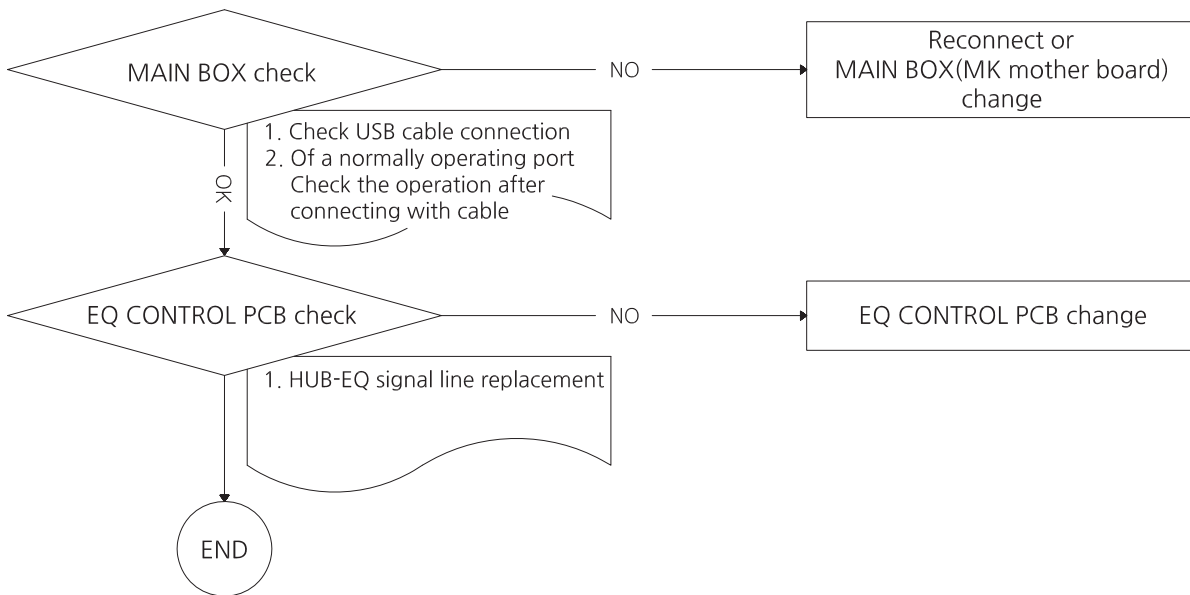
* IF ALL THE COLOR LEDS ARE NOT LIGHT ON



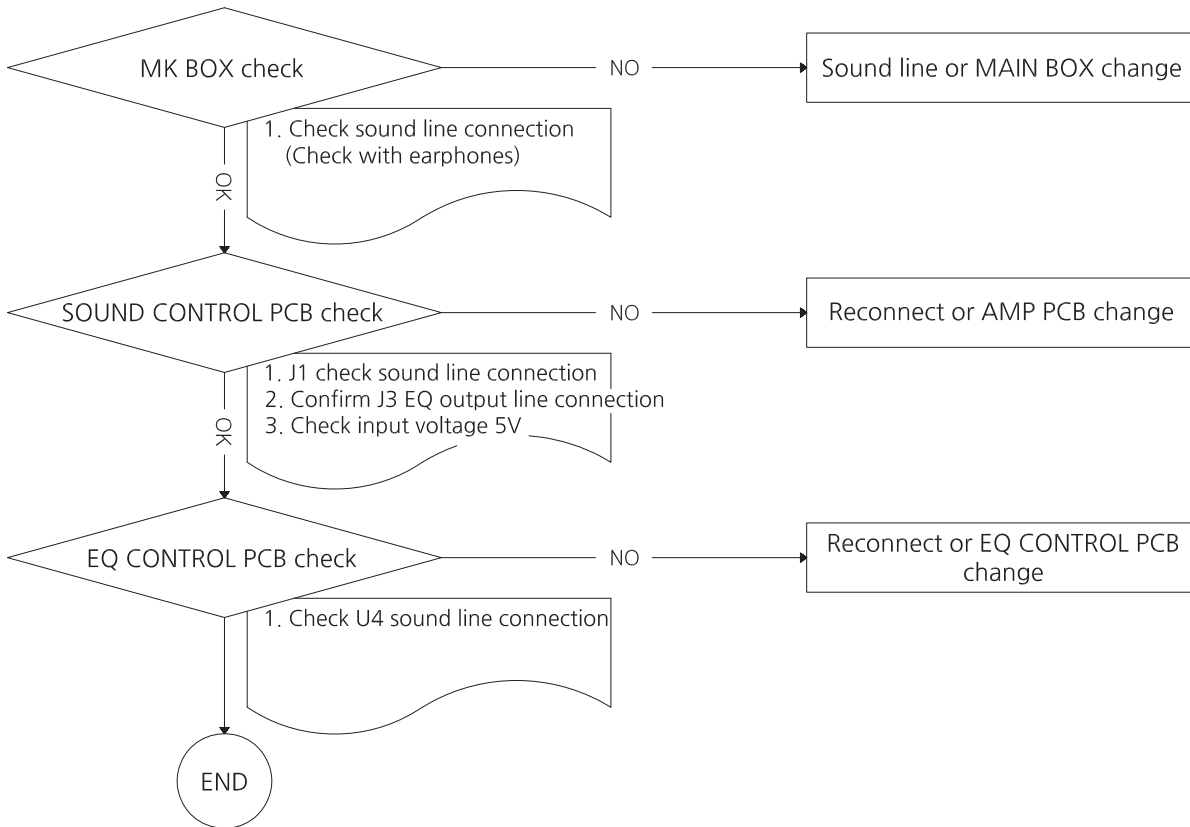
* WHEN THE COLOR LED IS LIT ONLY IN RED, GREEN, BLUE, AND WHITE



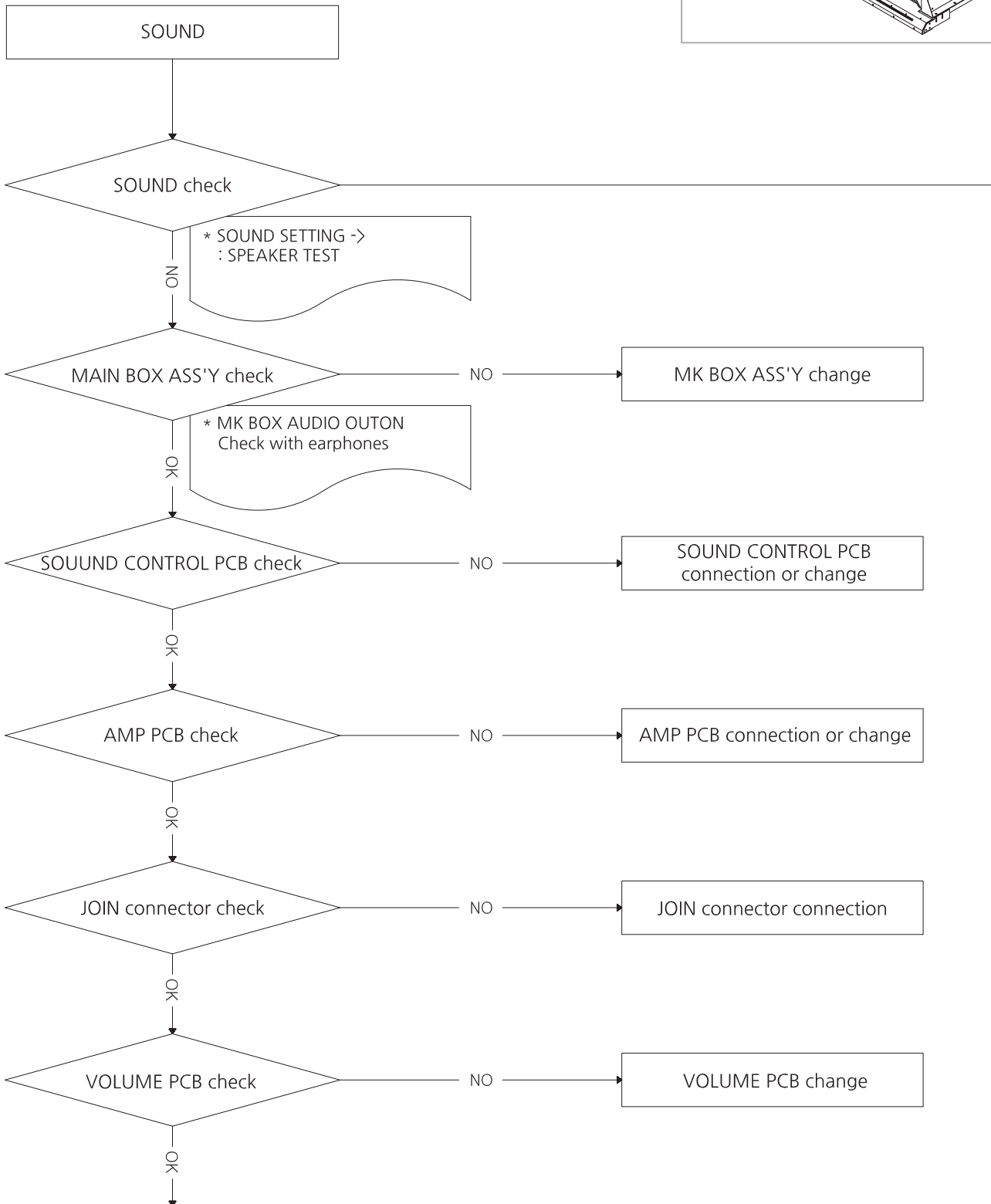
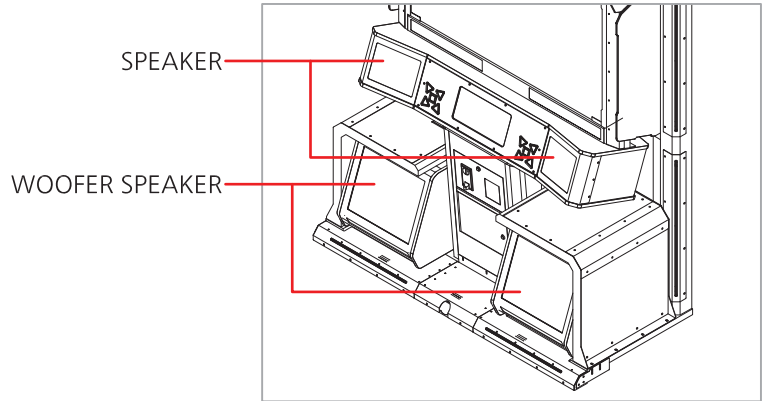
* WHEN THE COLOR LED IS ONLY LIT IN WHITE, BLUE, OR OFF

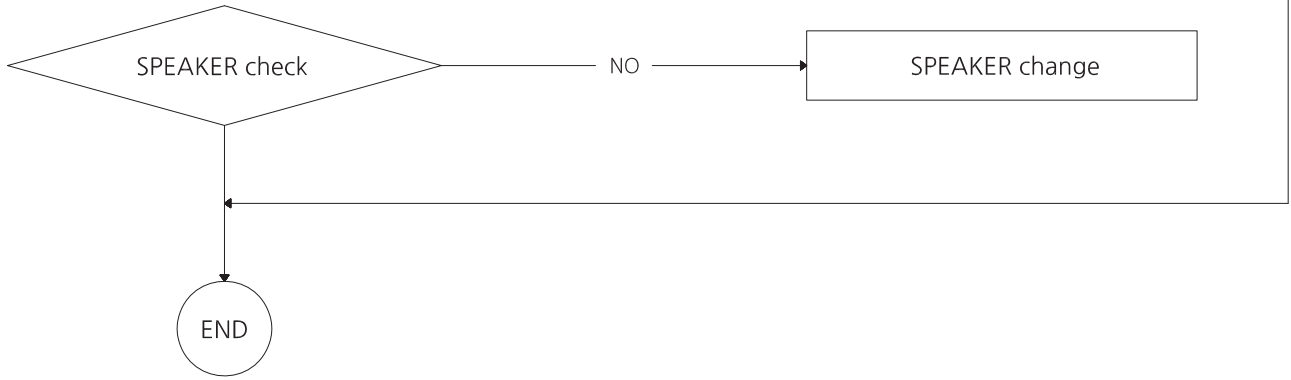


6-18. WHEN THE WHITE LIGHT AND THE BLUE LIGHT COME OUT ONLY OCCASIONALLY (EQ malfunction)



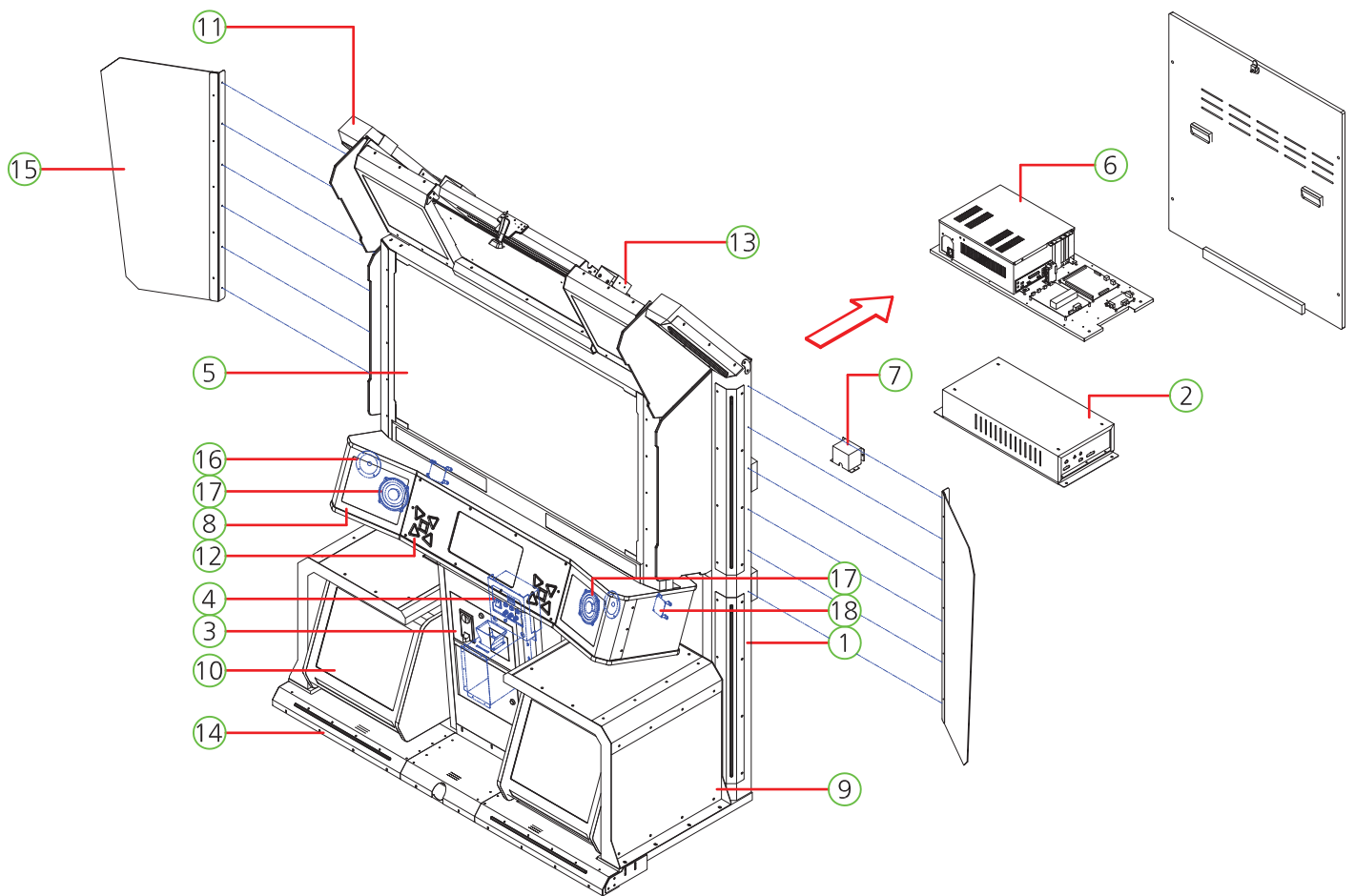
6-19.SOUND ERROR





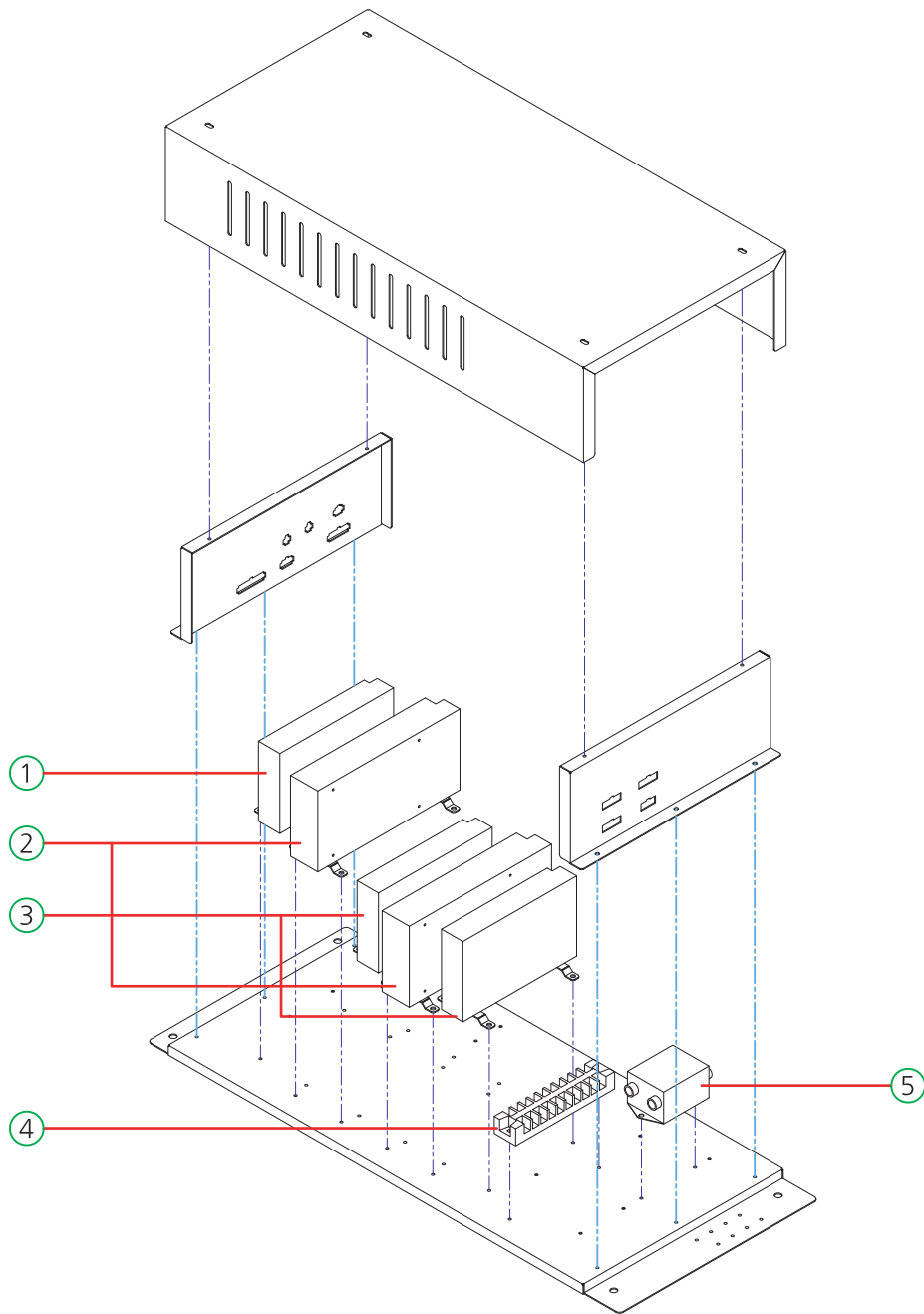
7. EXPLODED VIEW

7-1. MAIN CABINET PART



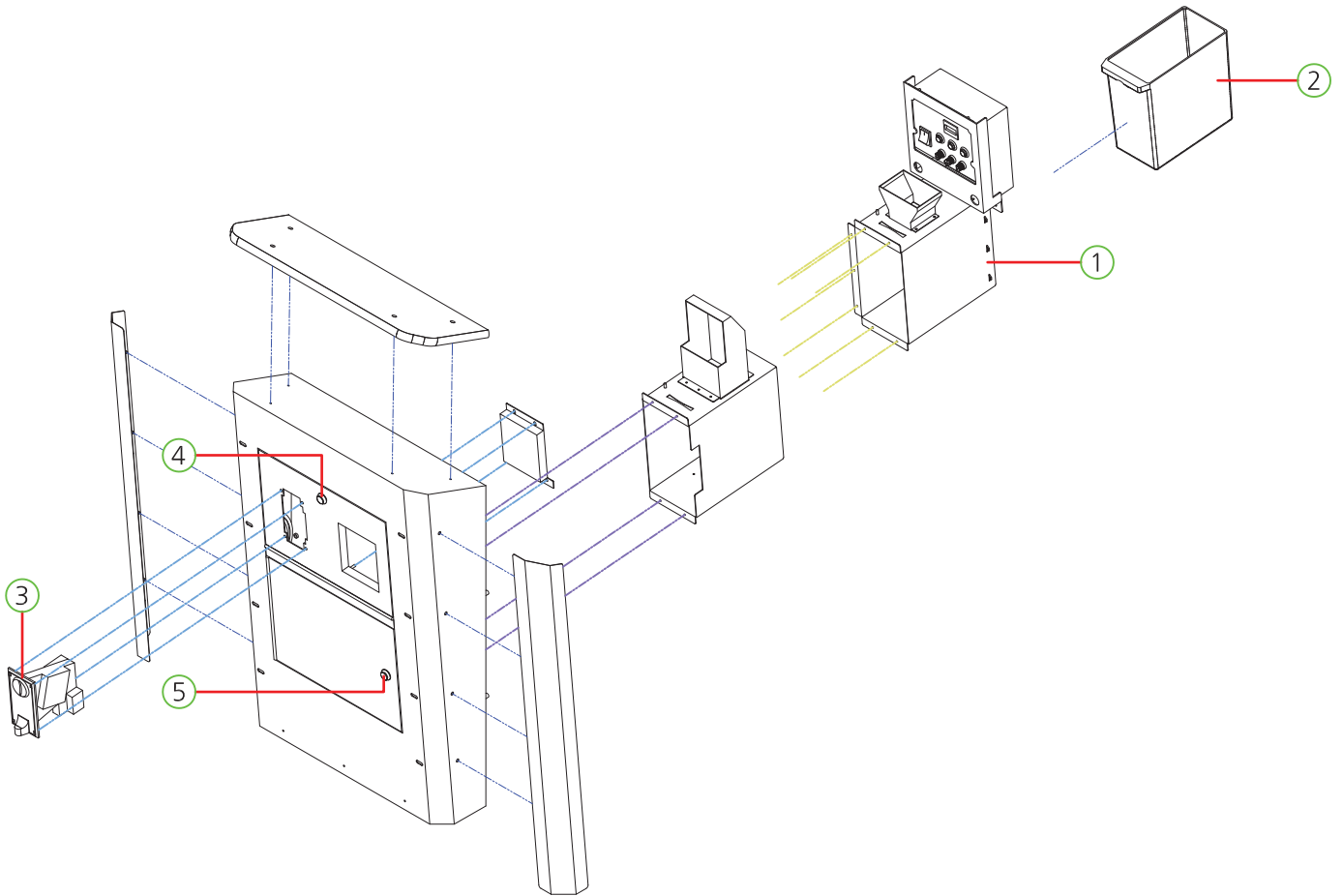
NO.	PART NAME	SPEC.	QUANTITY	CODE NO.
1	MAIN CABINET	-	1	-
2	POWER BASE PART	-	1	-
3	COIN DOOR CASE PART	-	1	-
4	SETUP PANEL PART	-	1	-
5	MONITOR PART	-	1	-
6	PCB BASE PART	-	1	-
7	AC INPUT PART	-	1	-
8	MID SPEAKER SIDE COVER L,R PART	-	2	-
9	SPEAKER DECO PART	-	2	-
10	WOOFER SPEAKER COVER L,R PART	-	2	-
11	LIGHT COLUME L,R PART	-	2	-
12	MID SPEAKER FRONT COVER PART	-	2	-
13	BILLBOARD PART	-	1	-
14	BASE LIGHT DECO PART	-	1	-
15	[OPTION] POP PART	-	1	-
16	SPEAKER	3"	2	MZZZ0SPE026
17	SPEAKER	5.25"	2	MZZZ0SPE027
18	SPEAKER NETWORK PCB ASS'Y	-	2	APUT0PCB007

7-2. POWER BASE PART



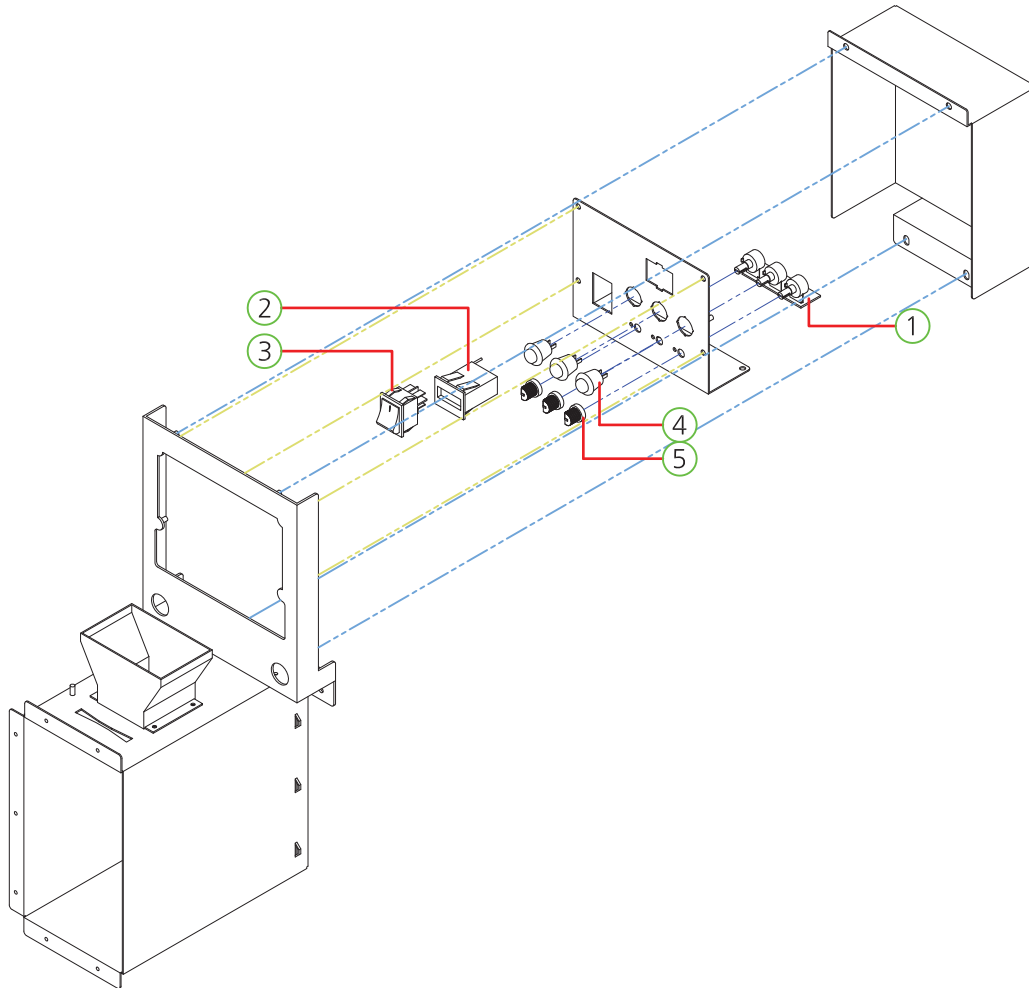
NO.	PART NAME	SPEC.	QUANTITY	CODE NO.
1	POWER SMPS	LRS-150F-5V	1	MELE0SMP096
2	POWER SMPS	RSP-320-24V	2	MELE0SMP101
3	POWER SMPS	LRS-150F-12V	2	MELE0SMP090
4	TERMINAL BLOCK	250V, 10P	1	MELE0TEB003
5	NOISE FILTER	RNS-2010	1	MELE0NOI009

7-3. COIN DOOR CASE PART



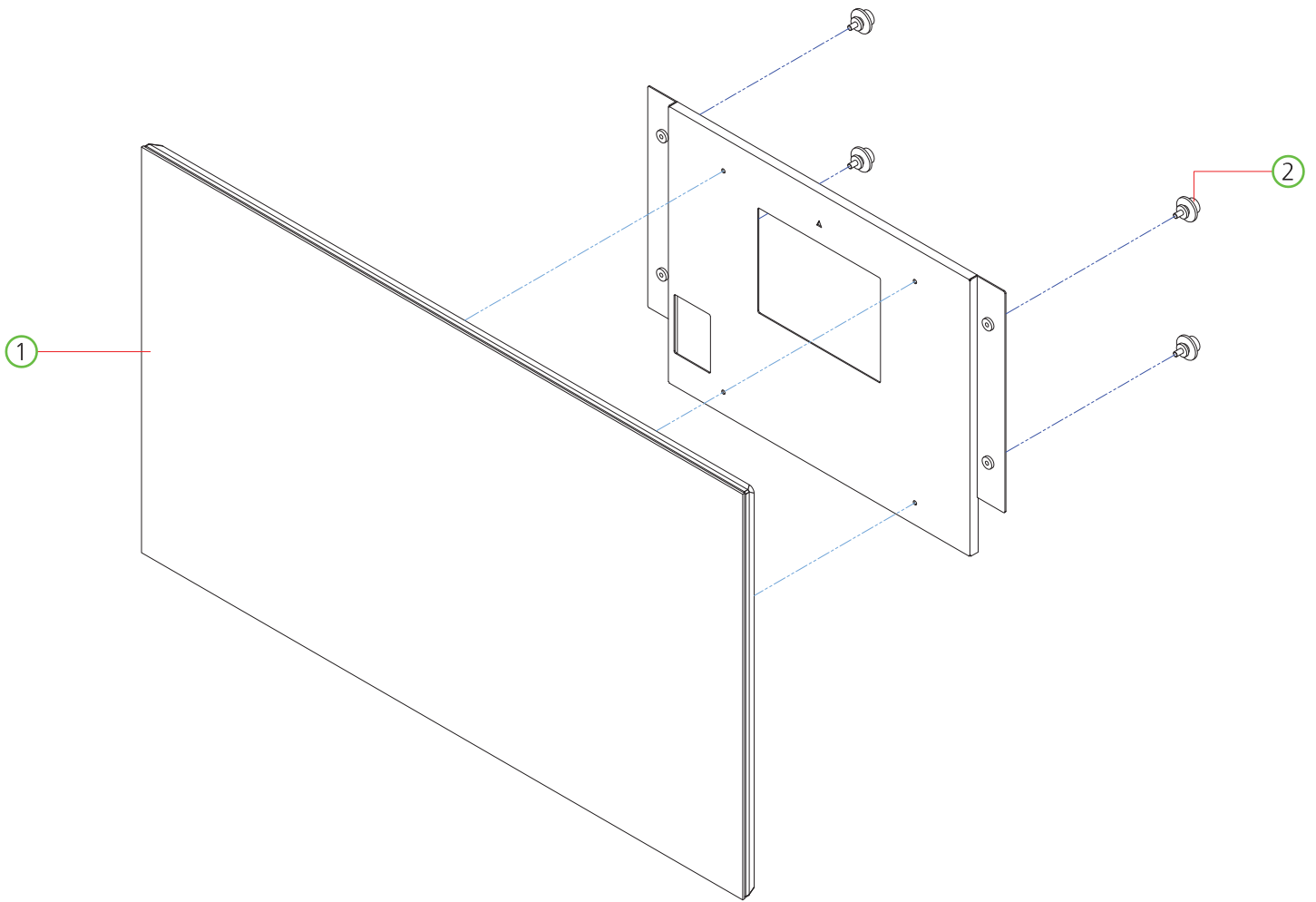
NO.	PART NAME	SPEC.	QUANTITY	CODE NO.
1	SETUP PANEL ASS'Y	-	1	-
2	COIN BOX	BLACK	1	MDRE0PLA007
3	COIN SELECTOR	TW-333	1	MZZZ0COS045
4	KEY ASS'Y	7001	1	MZZZ0KEY076
5	KEY ASS'Y	6001	1	MZZZ0KEY075

7-4. SETUP PANEL PART



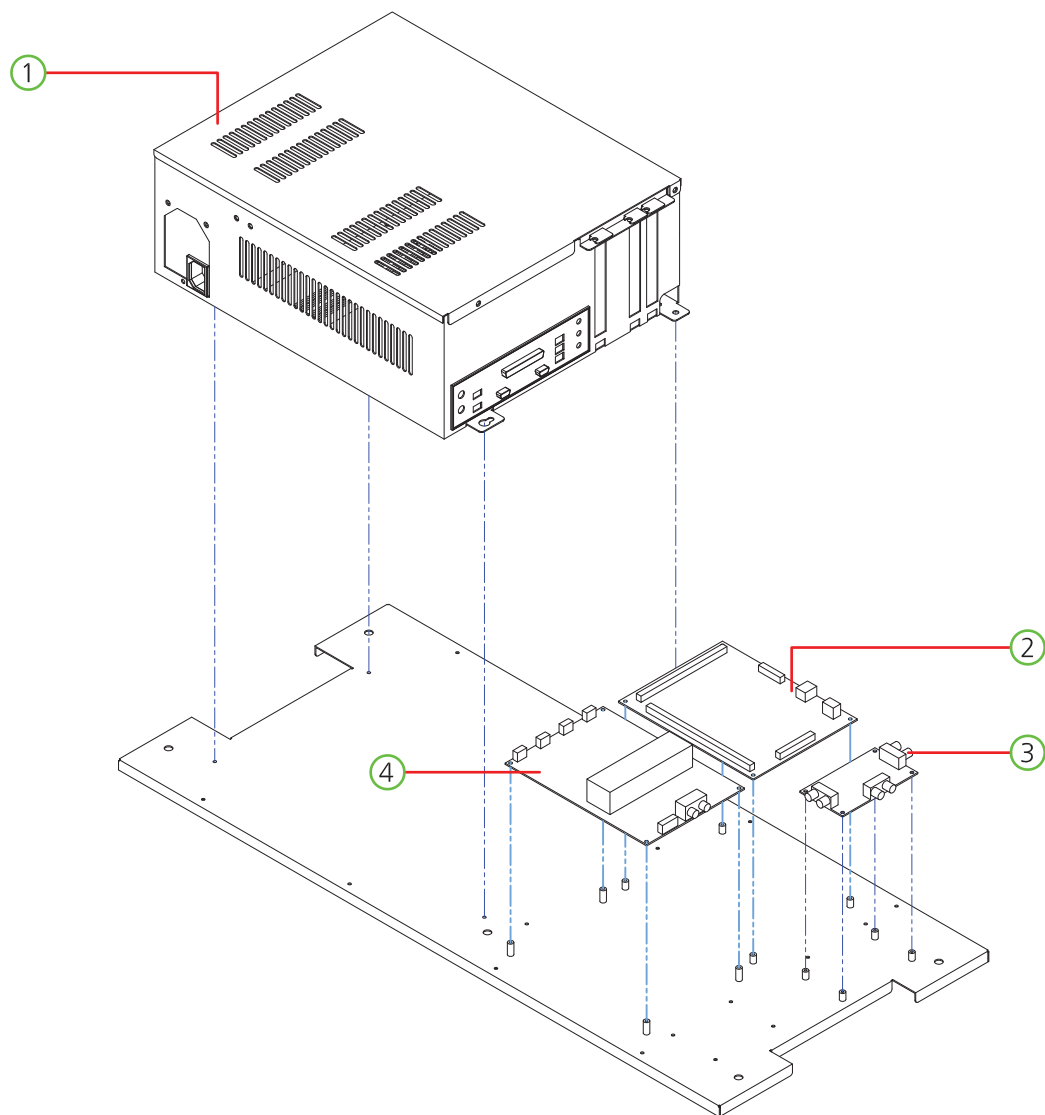
NO.	PART NAME	SPEC.	QUANTITY	CODE NO.
1	VOLUME PCB ASS'Y	3CH	1	APUJ0PCB005
2	COUNTER	OA217CL	1	MZZZ0COU002
3	ROCKER SWITCH	R595KDF	1	MELE0SWI021
4	PUSH BUTTON SWITCH	DS-412R	3	MELE0PUS006
5	VOLUME KONB	CAP, BLUE	3	MELE0VOL007

7-5. MONITOR PART



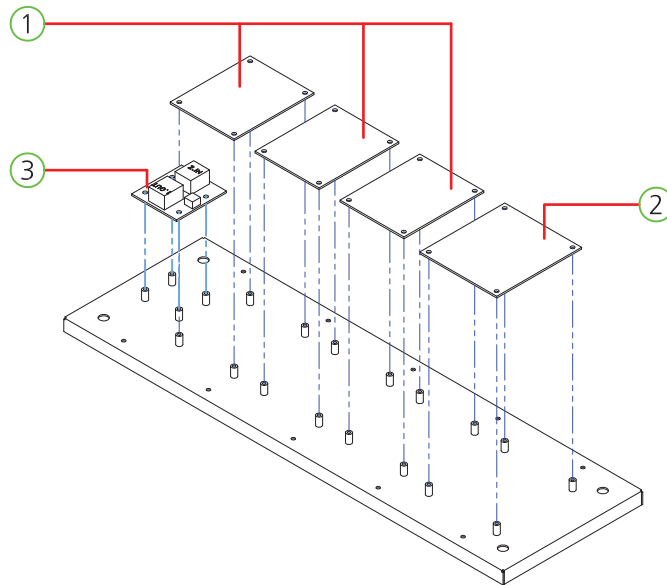
NO.	PART NAME	SPEC.	QUANTITY	CODE NO.
1	LED MONITOR	LM5512CA_WHTH GLASS	1	MZZZ0LED004
2	WALL MOUNT BLOCK	-	4	MPUJ0ZZZ003

7-6. PC BASE PART



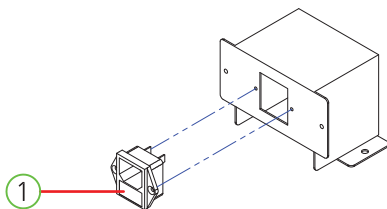
NO.	PART NAME	SPEC.	QUANTITY	CODE NO.
1	MAIN BOX ASS'Y	H81M-DGS R2.0	1	APUZ0SYS016
2	PIU IO PCB ASS'Y	NOVOTON USB IO V2.081	1	AZZZ0PCB220
3	DSP SOUND DVI PCB ASS'Y	-	1	APLX0PCB012
4	DIGITAL AMP 100W PCB ASS'Y	-	1	APLX0PCB011

7-7. PCB BASE PART



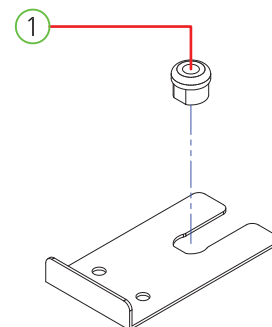
NO.	PART NAME	SPEC.	QUANTITY	CODE NO.
1	WS2813B DISPLAY PCB ASS'Y	-	3	APLX0PCB002
2	EQ CONTROL PCB ASS'Y	-	1	APLX0PCB001
3	LAN JOIN PCB ASS'Y	-	1	AZZ0PCB096

7-8. AC INPUT PART



NO.	PART NAME	SPEC.	QUANTITY	CODE NO.
1	AC INPUT ASS'Y	DAC-13H WITH FUSE	1	AWLW0FUS002

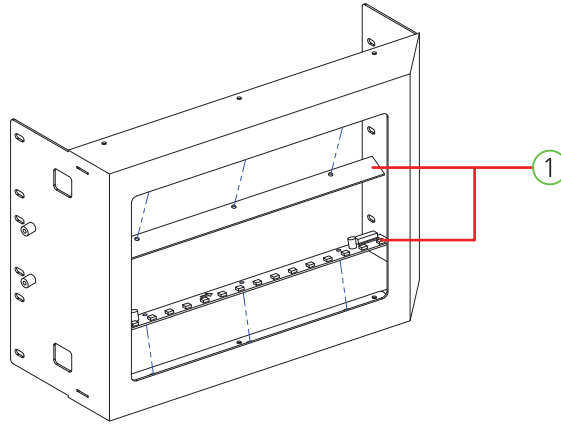
7-9. LAN CABLE PART



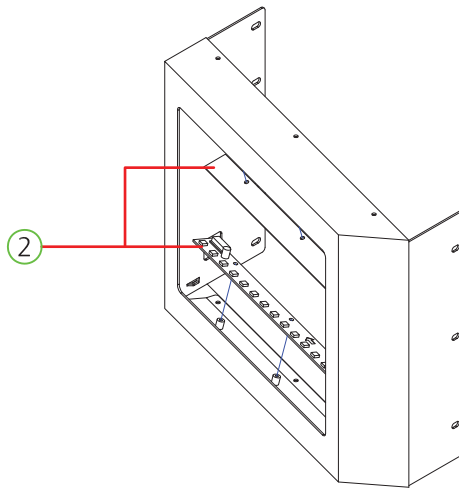
NO.	PART NAME	SPEC.	QUANTITY	CODE NO.
1	CABLE STOPPER	5NR-16	1	MELE0CAB026

7-10. MID SPEAKER SIDE COVER L,R PART

L

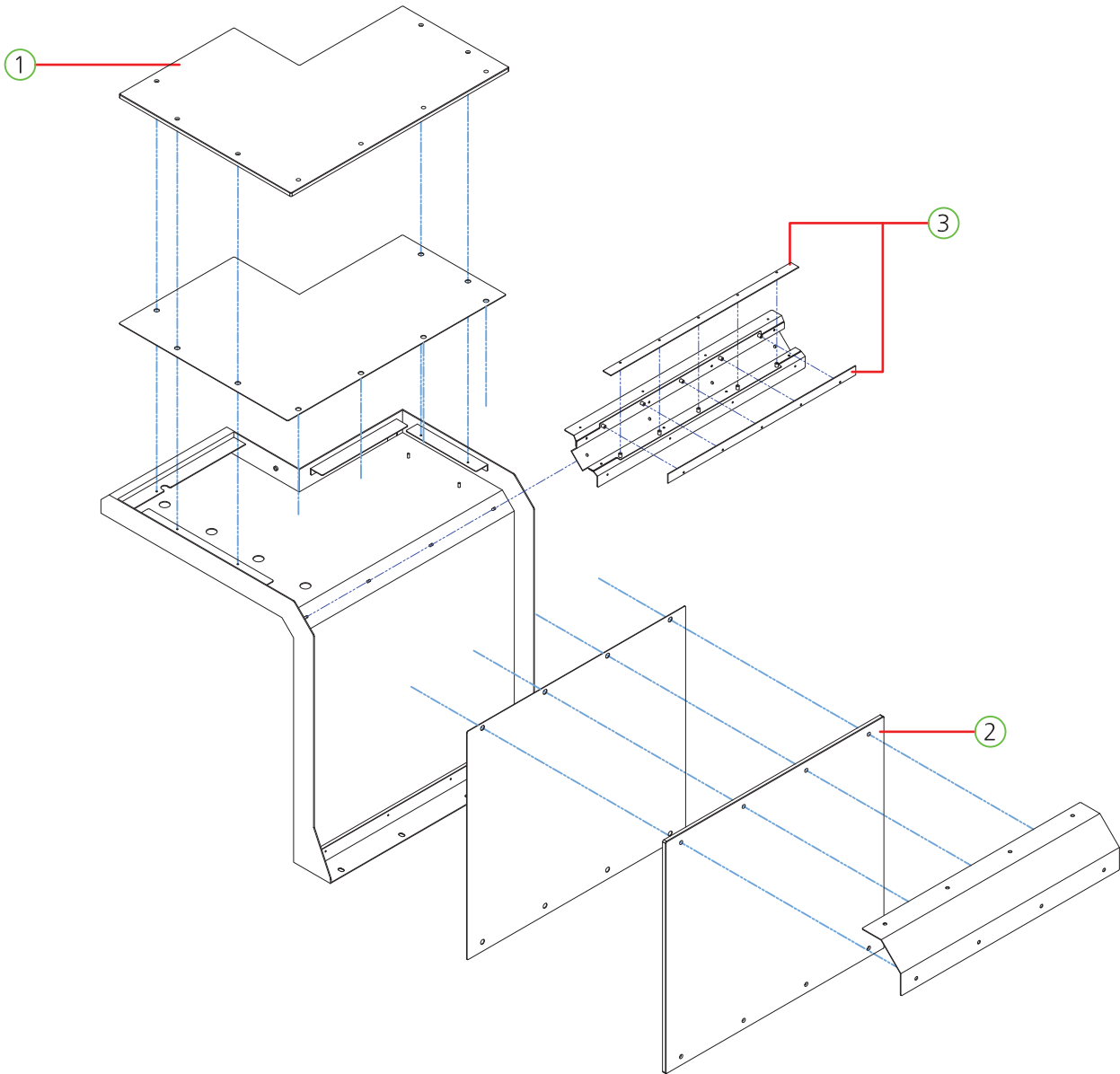


R



NO.	PART NAME	SPEC.	QUANTITY	CODE NO.
1	WS2813B LED PCB 16EA-L ASS'Y	-	2	APLX0PCB003
2	WS2813B LED PCB 16EA-R ASS'Y	-	2	APLX0PCB007

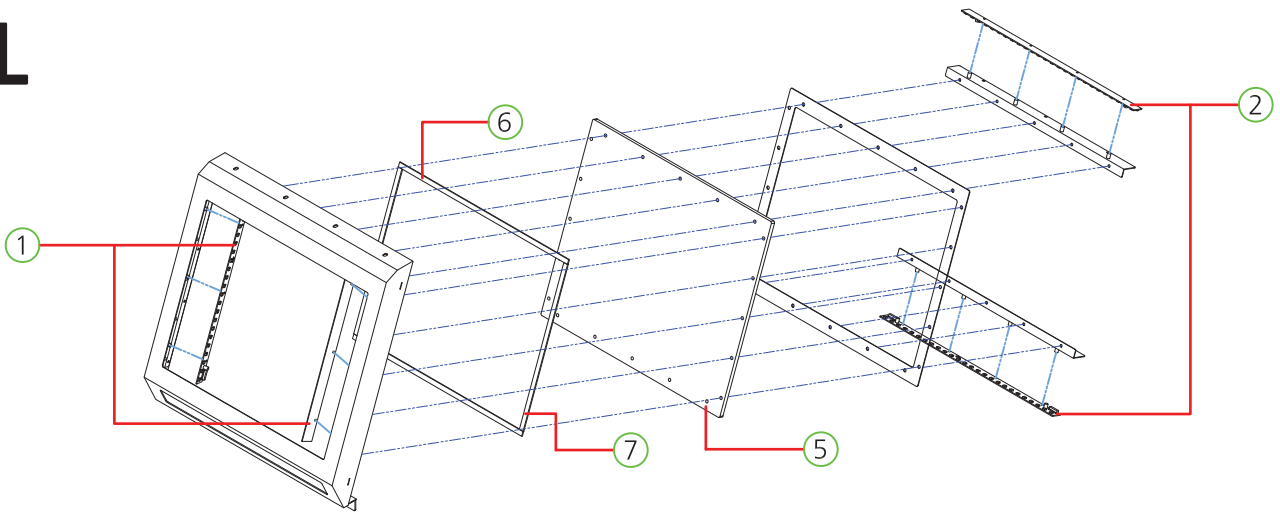
7-11. SPEAKER DECO PART



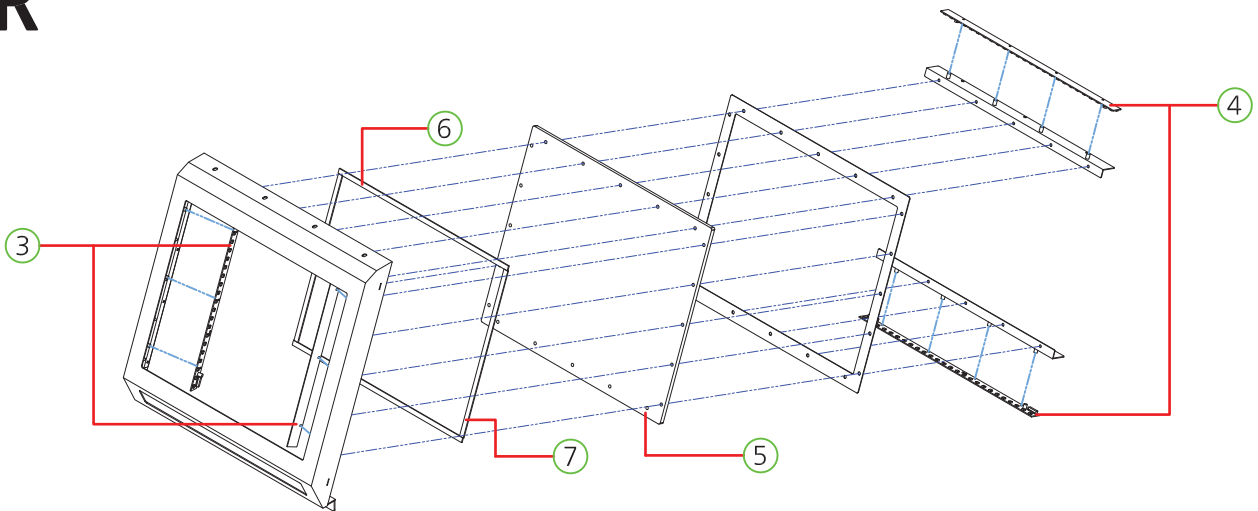
NO.	PART NAME	SPEC.	QUANTITY	CODE NO.
1	SPEAKER DECO TOP ACRYL-R	ACRYL-8.0t	1	APLX0ACP008
2	SPEAKER DECO TOP ACRYL-L	ACRYL-8.0t	1	APLX0ACR014
3	30EA-L LED PCB ASS'Y	WS2813B LED PCB 30EA-L ASS'Y	2	APLX0PCB006
[R]	30EA-R LED PCB ASS'Y	WS2813B LED PCB 30EA-R ASS'Y	2	APLX0PCB010

7-12. WOOFER SPEAKER COVER L,R PART

L

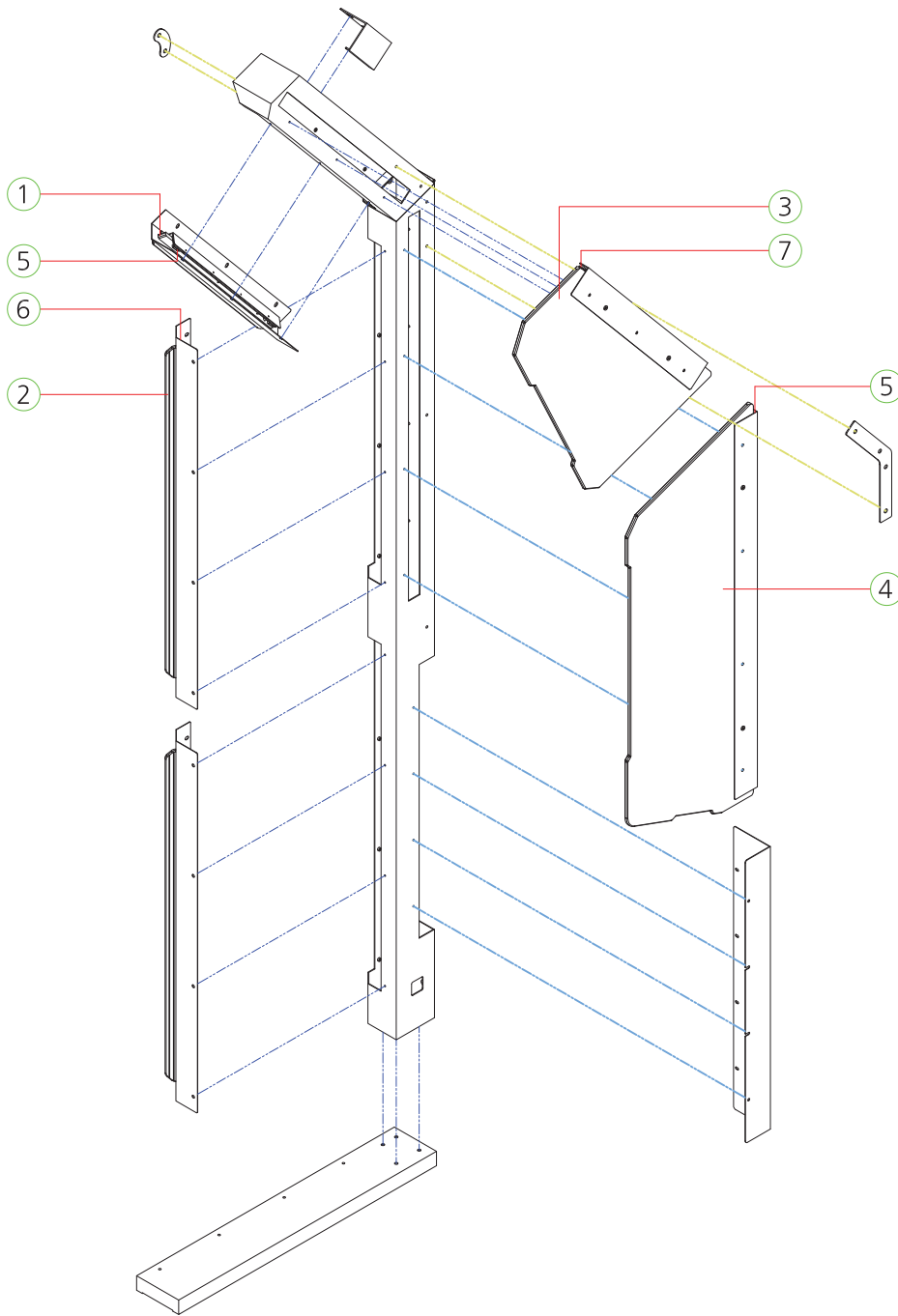


R



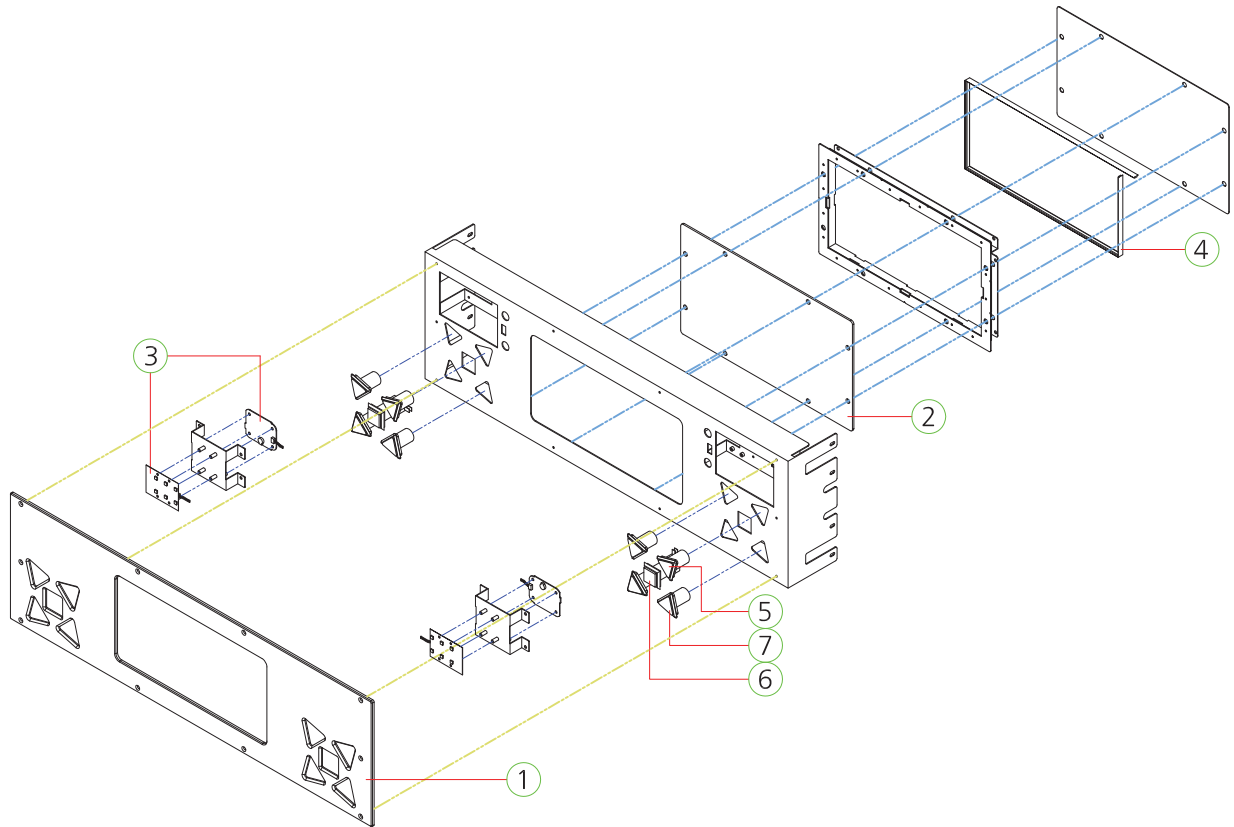
NO.	PART NAME	SPEC.	QUANTITY	CODE NO.
1	21EA_L LED PCB ASS'Y	-	2	APLX0PCB004
2	26EA_R LED PCB ASS'Y	-	2	APLX0PCB005
3	21EA_R LED PCB ASS'Y	-	2	APLX0PCB008
4	26EA_R LED PCB ASS'Y	-	2	APLX0PCB009
5	WOOFER SPEAKER ACRYL	ACRYL-8.0t	2	APLX0ACR024
6	SPONGE TOP	-	2	-
7	SPONGE SIDE	-	2	-

7-13. LIGHT COLUME L PART



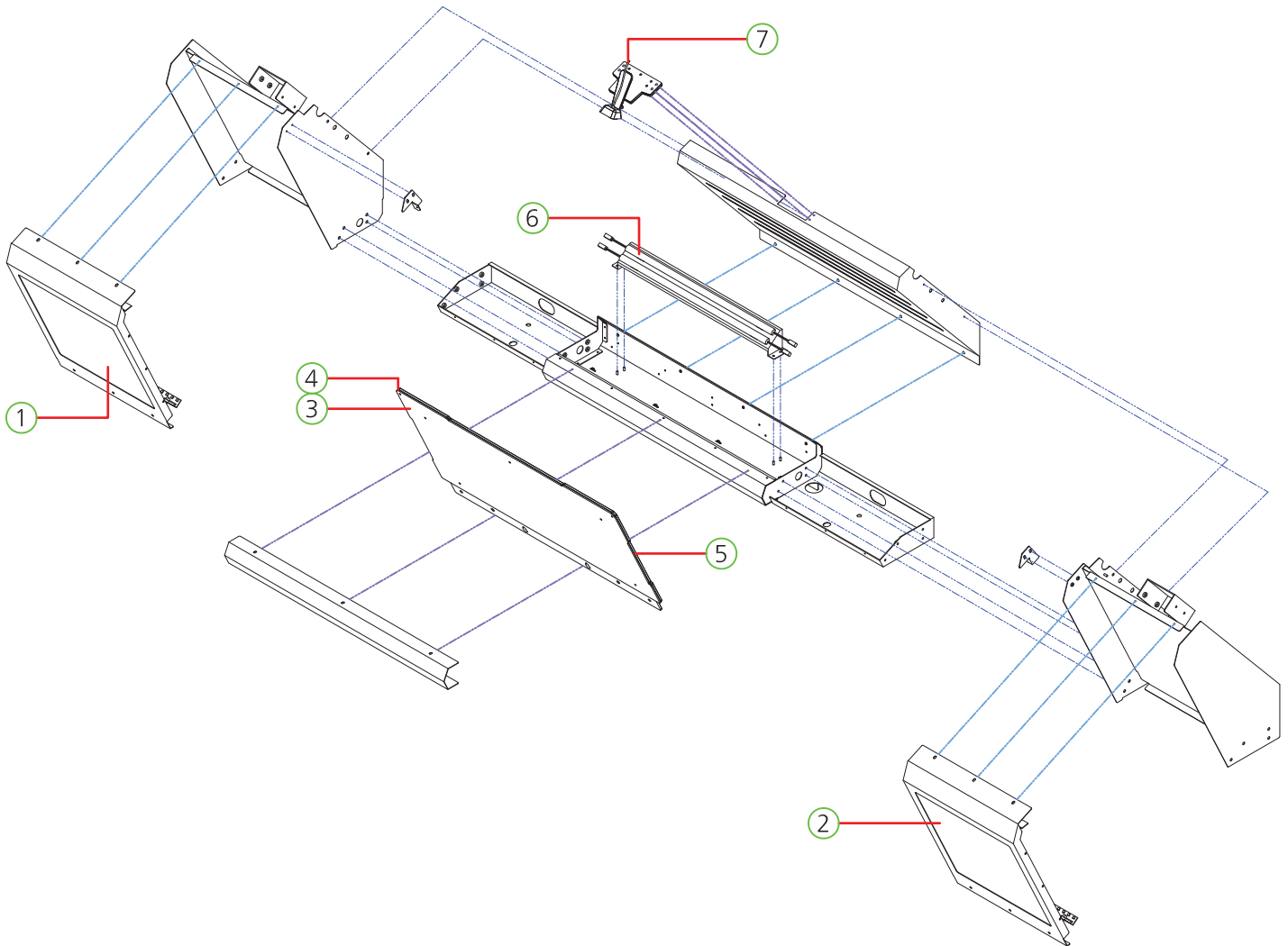
NO.	PART NAME	SPEC.	QUANTITY	CODE NO.
1	LIGHT COLUMN SMALL COVER ACRYL	ACRYL-8.0t	1	MPLX0ACR011
2	LIGHT COLUMN LARGE COVER ACRYL	ACRYL-8.0t	1	MPLX0ACR009
3	LIGHT COLUMN SMALL ACRYL-L	ACRYL-8.0t	1	APLX0ACP012
4	LIGHT COLUMN LARGE ACRYL-L	ACRYL-8.0t	1	APLX0ACP011
5	WS2813B LED PCB 26EA-L ASS'Y	-	3	APLX0PCB005
6	WS2813B LED PCB 21EA-L ASS'Y	-	4	APLX0PCB004
7	WS2813B LED PCB 30EA-L ASS'Y	-	1	APLX0PCB006
[R]	WS2813B LED PCB 26EA-R ASS'Y	-	3	APLX0PCB009
[R]	WS2813B LED PCB 21EA-R ASS'Y	-	4	APLX0PCB008
[R]	WS2813B LED PCB 30EA-R ASS'Y	-	1	APLX0PCB010

7-14. MID SPEAKER FRONT COVER PART



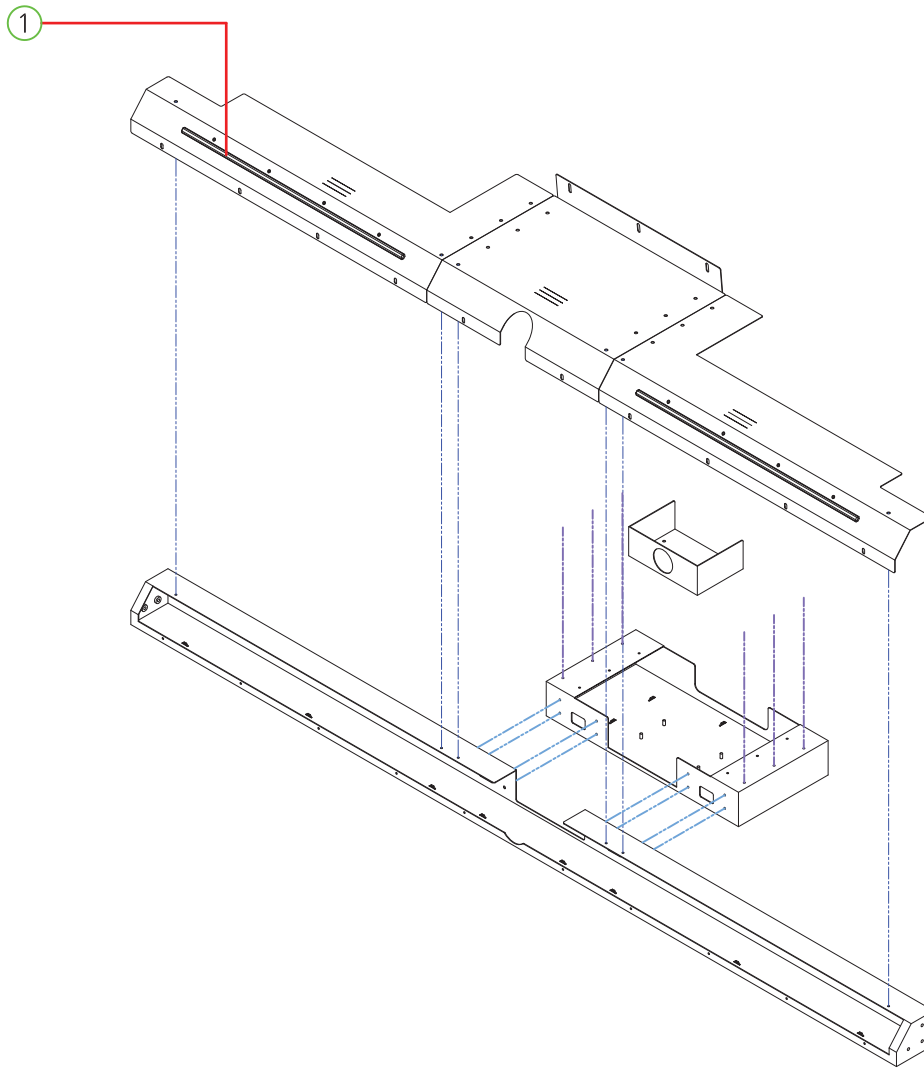
NO.	PART NAME	SPEC.	QUANTITY	CODE NO.
1	MID SPEAKER FRONT COVER ACRYL	ACRYL-5.0t	1	APLX0ACR006
2	I.MIRROR BLACK MIRROR ACRYL	ACRYL-3.0t	1	MPLX0ACR007
3	CARD READER PCB ASS'Y	READER ANTRNNA CABLE	2	AELEOCAD002
4	FLEX 2813B 1016 NWP LR 61_20161125	-	1	MPLX0HAN093
5	BUTTON SWITCH ASS'Y	GMPB-128NEWEST [RED]	4	MZZZ0BUT116
6	BUTTON SWITCH ASS'Y	GMPS-128NEWEST [BLUE]	2	MZZZ0BUT117
7	BUTTON SWITCH	ILLUMINATED BUTTON SWITCH [YELLOW]	1	MZZZ0BUT118

7-15. BILLBOARD PART



NO.	PART NAME	SPEC.	QUANTITY	CODE NO.
1	BILLBOARD SIDE COVER ACRYL-L	ACRYL-8.0t	1	APLX0ACP010
2	BILLBOARD SIDE COVER ACRYL-R	ACRYL-8.0t	1	APLX0ACP001
3	BILLBOARD TITLE FRONT ACRYL	ACRYL-3.0t	1	MPLX0ACR005
4	PIU BILLBOARD	0.5t [PHOENIX_LX]	1	MPNX0SHE002
5	BILLBOARD TITLE BACK ACRYL	ACRYL-5.0t	1	MPLX0ACR003
6	12V_LED BAR PCB ASS'Y	460mm	2	AZZZ0PCB124
7	WEB CAM	HD-3000	1	MZZZ0000604

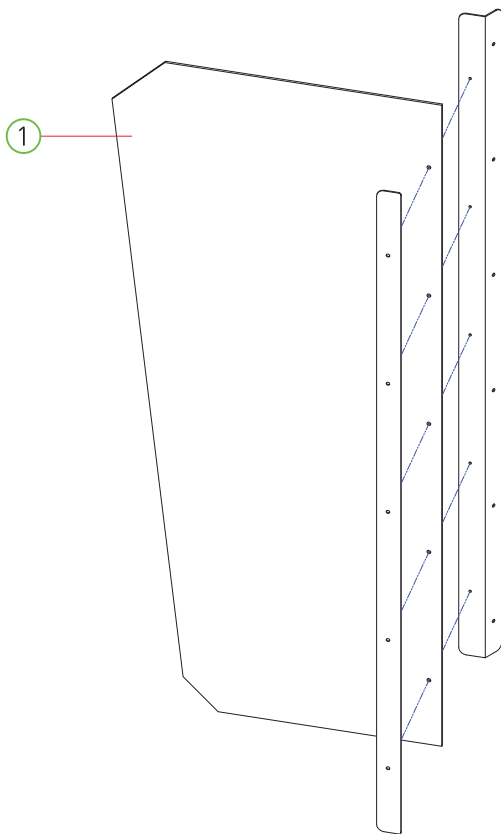
7-16. BASE LIGHT DECO PART



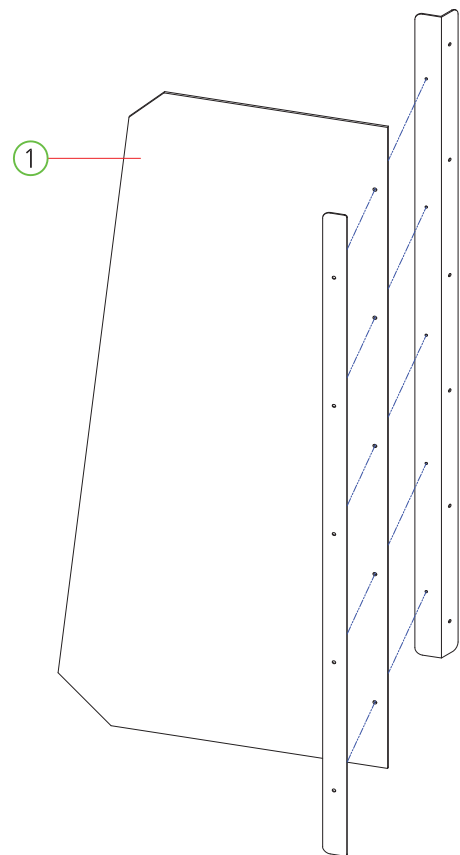
NO.	PART NAME	SPEC.	QUANTITY	CODE NO.
1	BASE LIGHT DECO ACRYL	ACRYL-8.0t	2	MPLX0ACR001

7-17. [OPTION] POP PART

L



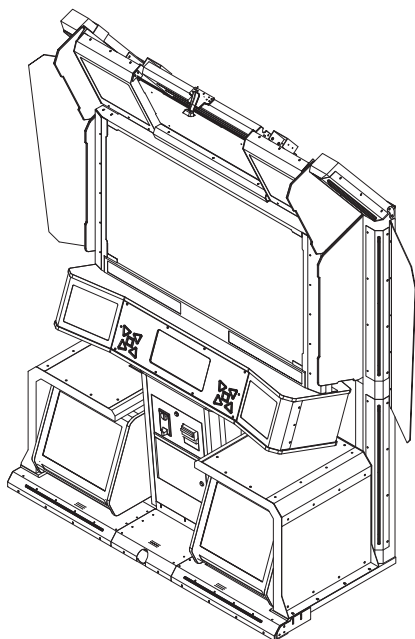
R



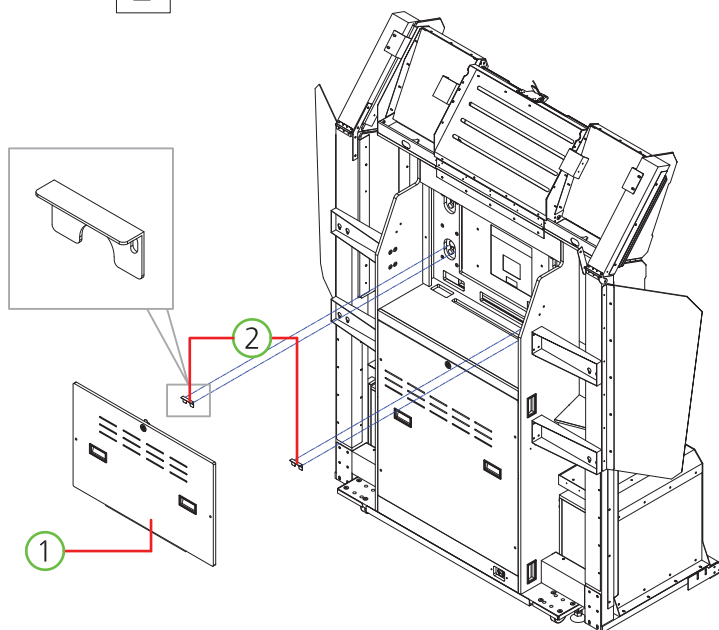
NO.	PART NAME	SPEC.	QUANTITY	CODE NO.
1	SIDE POP-L, R	FORMAX-3.0t	2	MPLX0ACR021, 016

* HOW TO REPLACE THE MONITOR

1

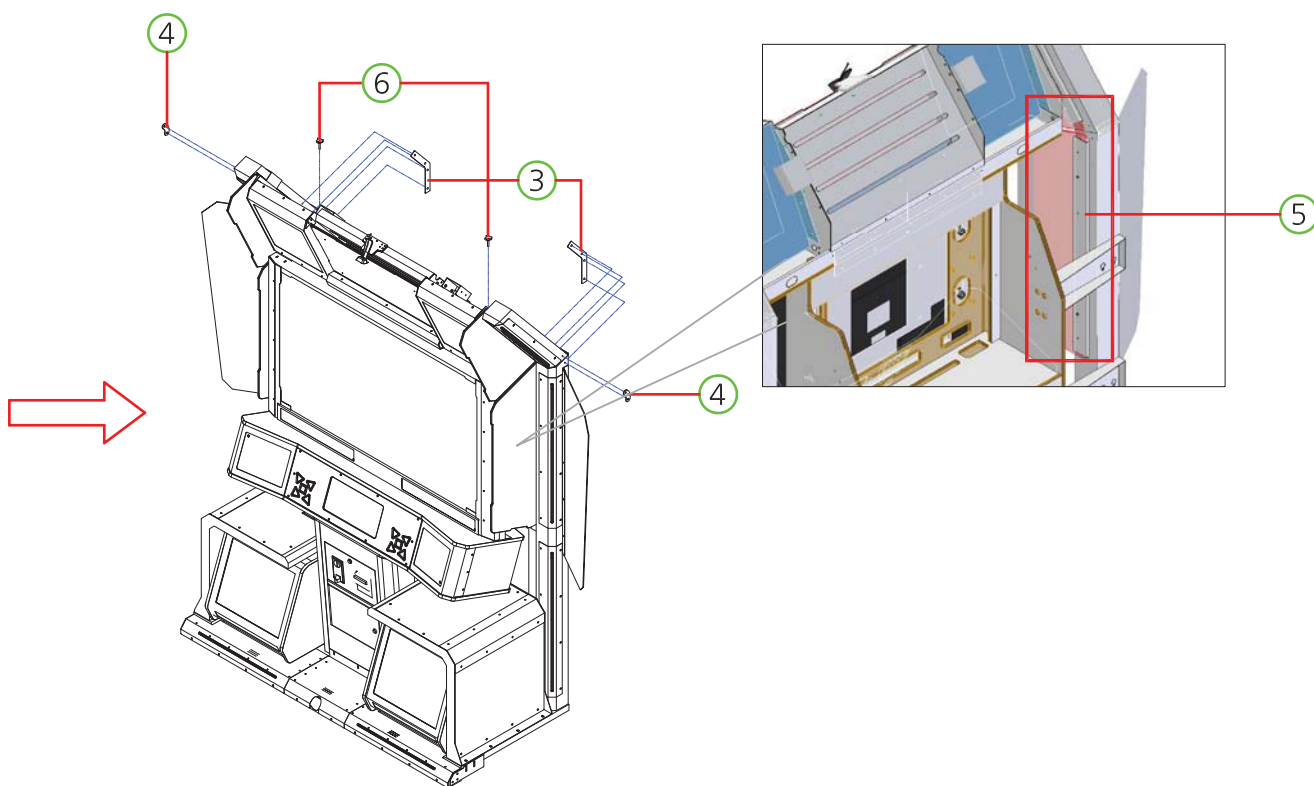


2



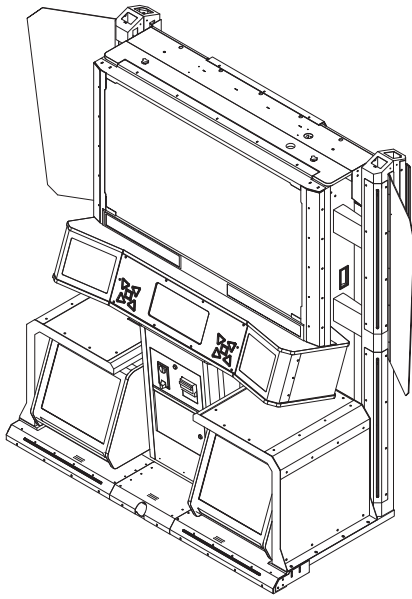
- MAIN CABINET Rear (1) UPPER DOOR 7001 key
Use the door to open.
- (2) Unscrew MOUNT FIX BKT [M4 bolts, 2 places].

3

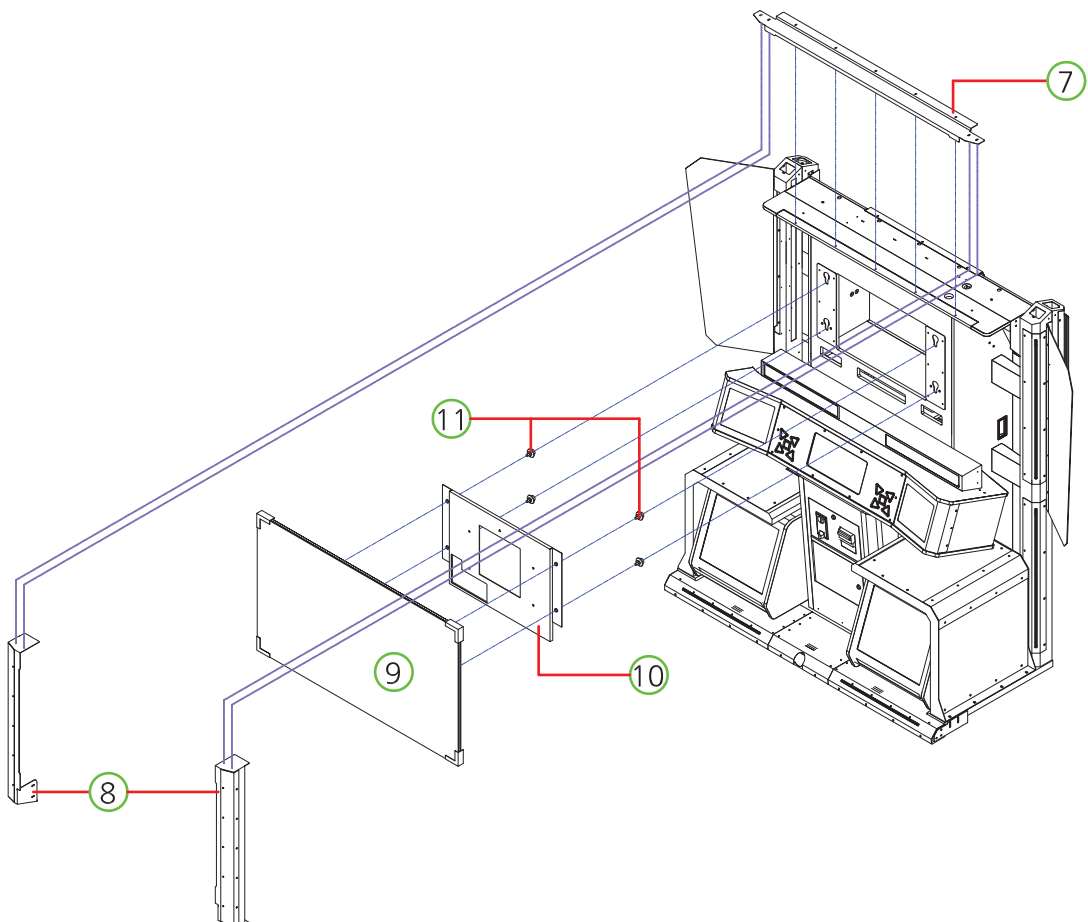


- (3) LIGHT COLUMN FOLDING LARGE BKT
- (4) Remove the LIGHT COLUMN FOLDING BKT.
- (5) Remove the LIGHT COLUMN LARGE LED-L ASS'Y [L, R].
[M4 bolt, each 4 places] * Disconnecting connector
- (6) Remove the M6 hand bolts [2 places], and attach the billboard
The back is lost.

4



5



- Then, ⑦ MONITOR TOP COVER BKT [M4 bolts, 4 places]
- ⑧ Remove MONITOR SIDE DECO ASS'Y [L, R]. [M4 bolts, 6 places]
- ⑨ Take out the MONITOR ASS'Y by pulling it forward and remove it.
Replace MONITOR. * ⑩ MONITOR FIX BKT ⑩ WALL MOUNT BLOCK Reuse

* After replacing the MONITOR, reassemble in reverse order.

* Please reset the CMOS settings if the problems occurs such as follows :

- (1) When replacing a new H81 Main Board
- (2) When BIOS setting initialization
- (3) When replacing Backup battery

- Preparation : USB Type_wire Keyboard

- 1** When the 3 items listed above happened, connect the keyboard and keep pressing the F2 button in order to get into CMOS while booting. Select UEFI Defaults in EXIT menu and press Enter button of keyboard in order to change the vaules.



- 2** Change the value of Restore on AC/Power Loss to "Power On" on Chipset Configuration of Advanced menu.



3 Select the value of SATA Mode Selection to "IDE" on Storage Configuration of Advanced menu.

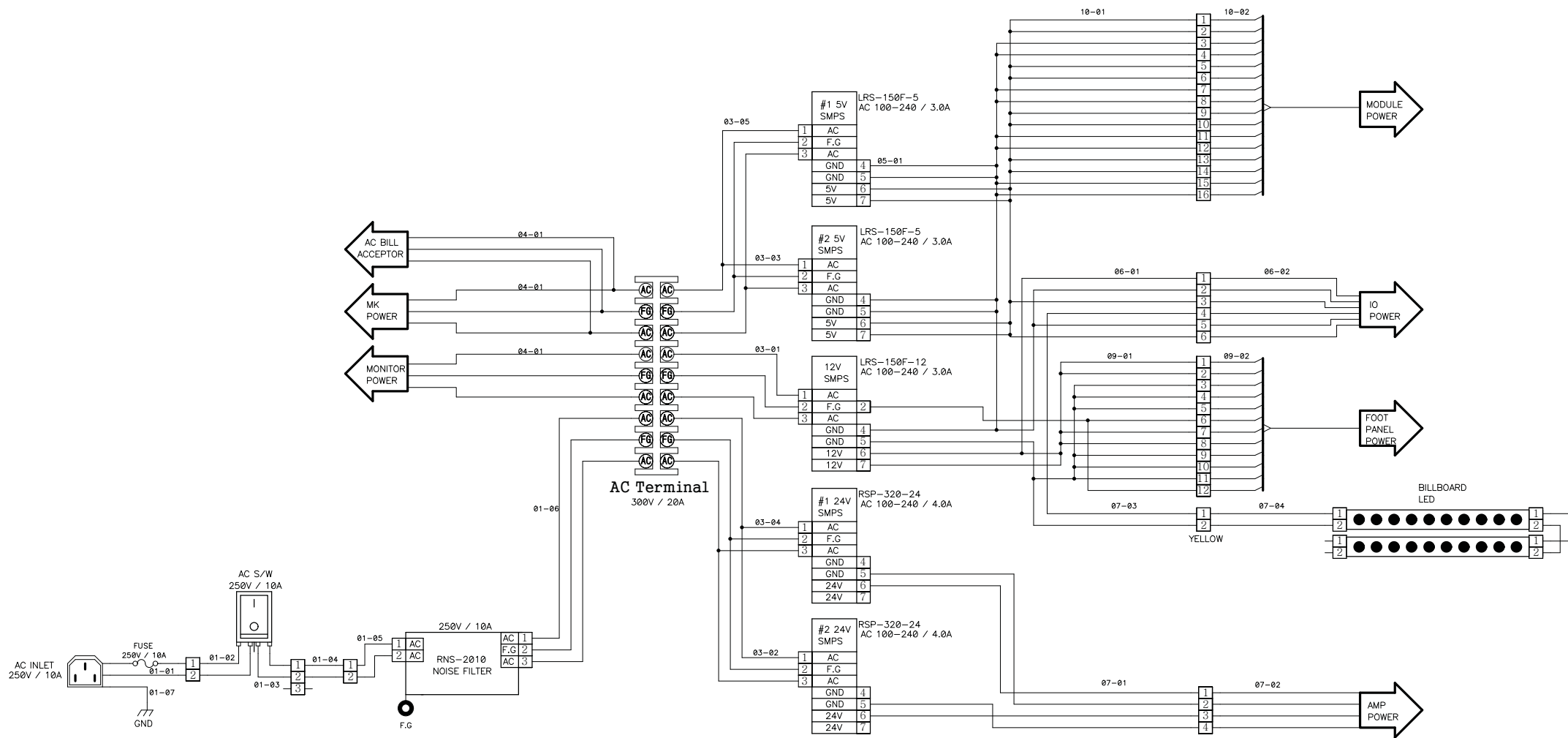


4 Change the value of USB 3.0 mode to "Disabled" on USB Configuration of Advanced menu.



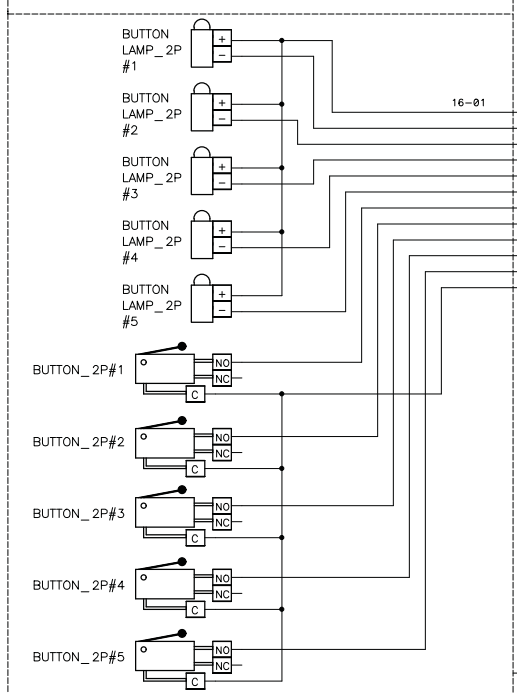
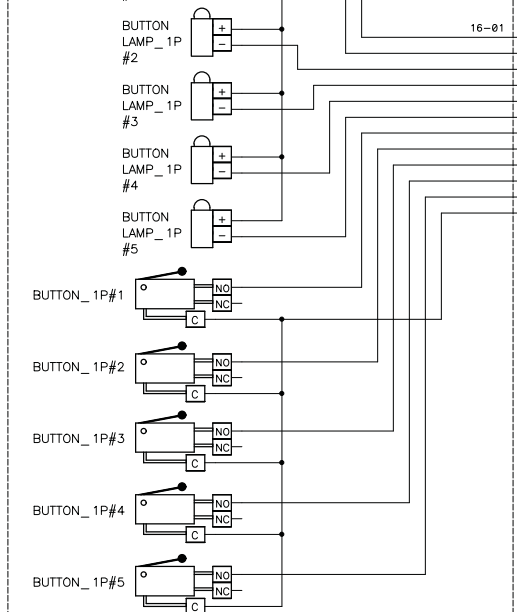
5 Select "Save Change" in EXIT menu, and reboot.





DRAWN BY	DATE	2023.06.16
K.H.LIM	ITEM	PUMP IT UP-LX
ANDAMIRO	PAGE	1/6

USB 1/0 1/2



1P BUTTON [CN09]

1	12V
2	12V
3	BUTTON LAMP 1
4	BUTTON LAMP 2
5	BUTTON LAMP 3
6	BUTTON LAMP 4
7	BUTTON LAMP 5
8	BUTTON 1
9	BUTTON 2
10	BUTTON 3
11	BUTTON 4
12	BUTTON 5
13	GND
14	GND

FOOT INPUT [CN02]

1	1 LUP
2	1 RUP
3	1 CT
4	1 LDN
5	1 RDN
6	1 CT2
7	1 B3
8	1 B4
9	1 B5
10	GND
11	GND
12	GND

LAMP OUTPUT [CN04]

1	X0
2	X1
3	X2
4	X3
5	X4
6	X5
7	X6
8	X7
9	F.C
10	GND
11	12V

FOOT INPUT [CN03]

1	2 LUP
2	2 RUP
3	2 CT
4	2 LDN
5	2 RDN
6	2 CT2
7	2 B3
8	2 B4
9	2 B5
10	GND
11	GND
12	GND

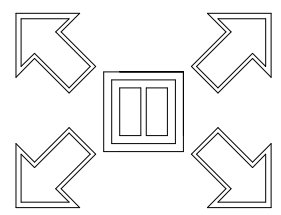
LAMP OUTPUT [CN07]

1	Y0
2	Y1
3	Y2
4	Y3
5	Y4
6	Y5
7	Y6
8	Y7
9	F.C
10	GND
11	12V

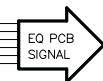
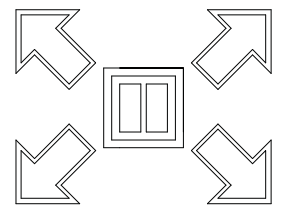
SETUP [CN5]

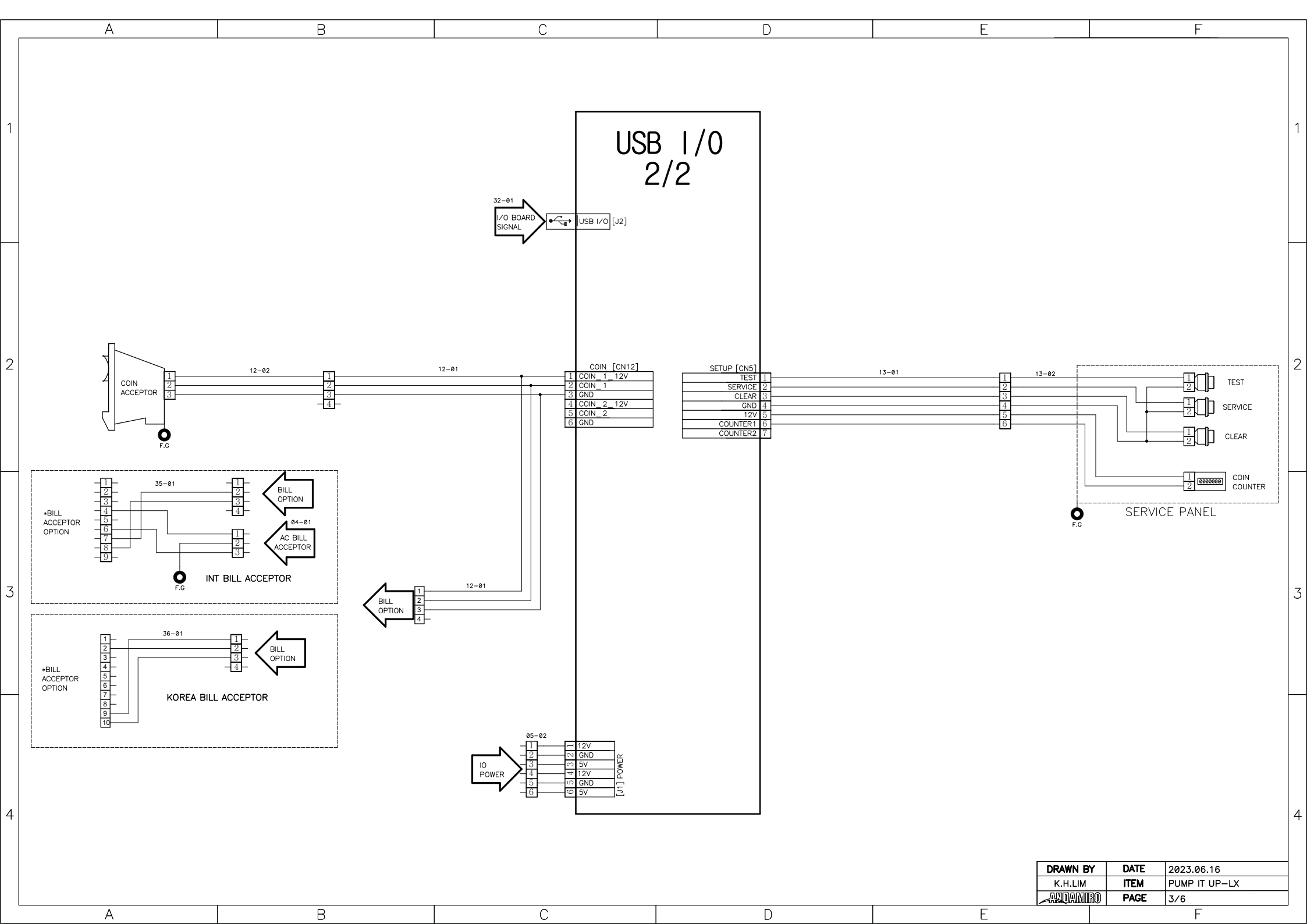
1	X8
2	X9
3	X10
4	Y8
5	Y9
6	Y10
7	GND
8	12V

FOOT 1P

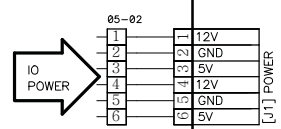
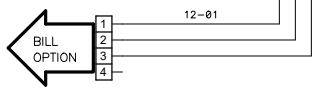
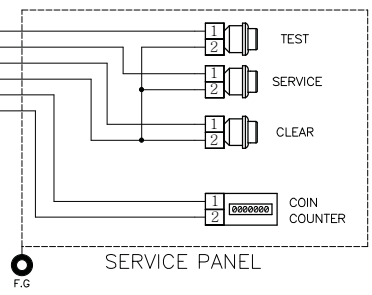
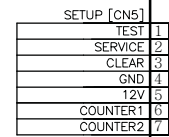
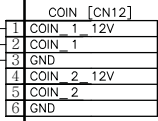
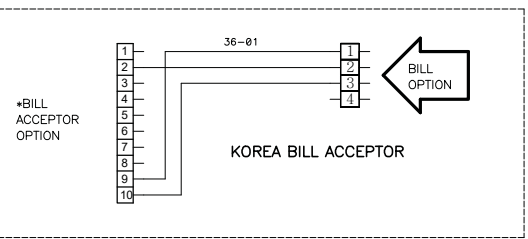
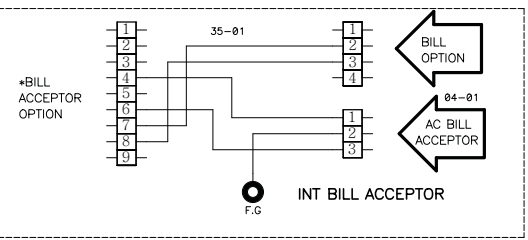
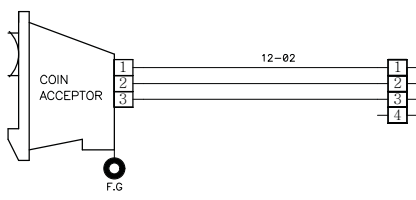
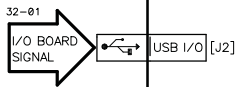


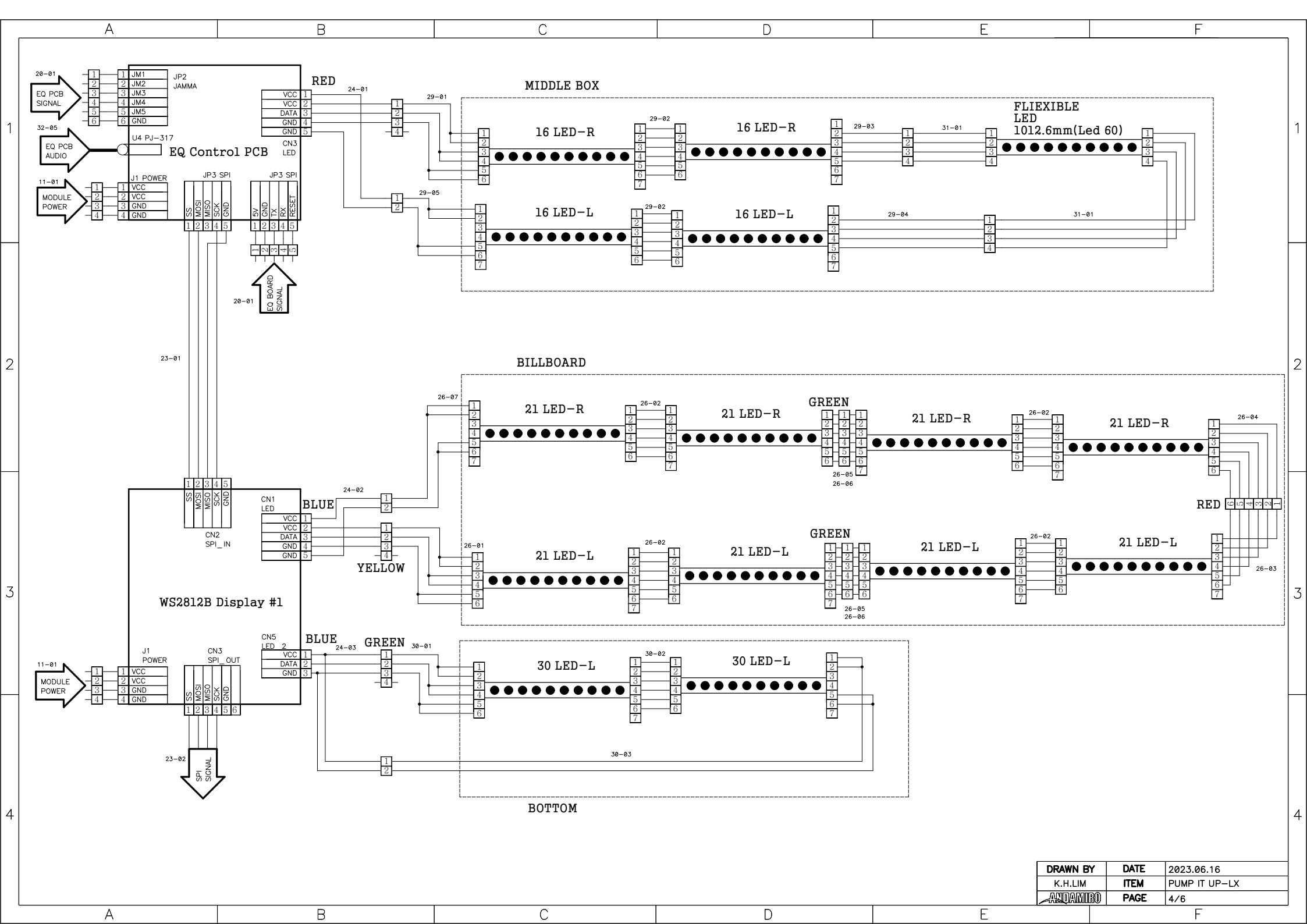
FOOT 2P



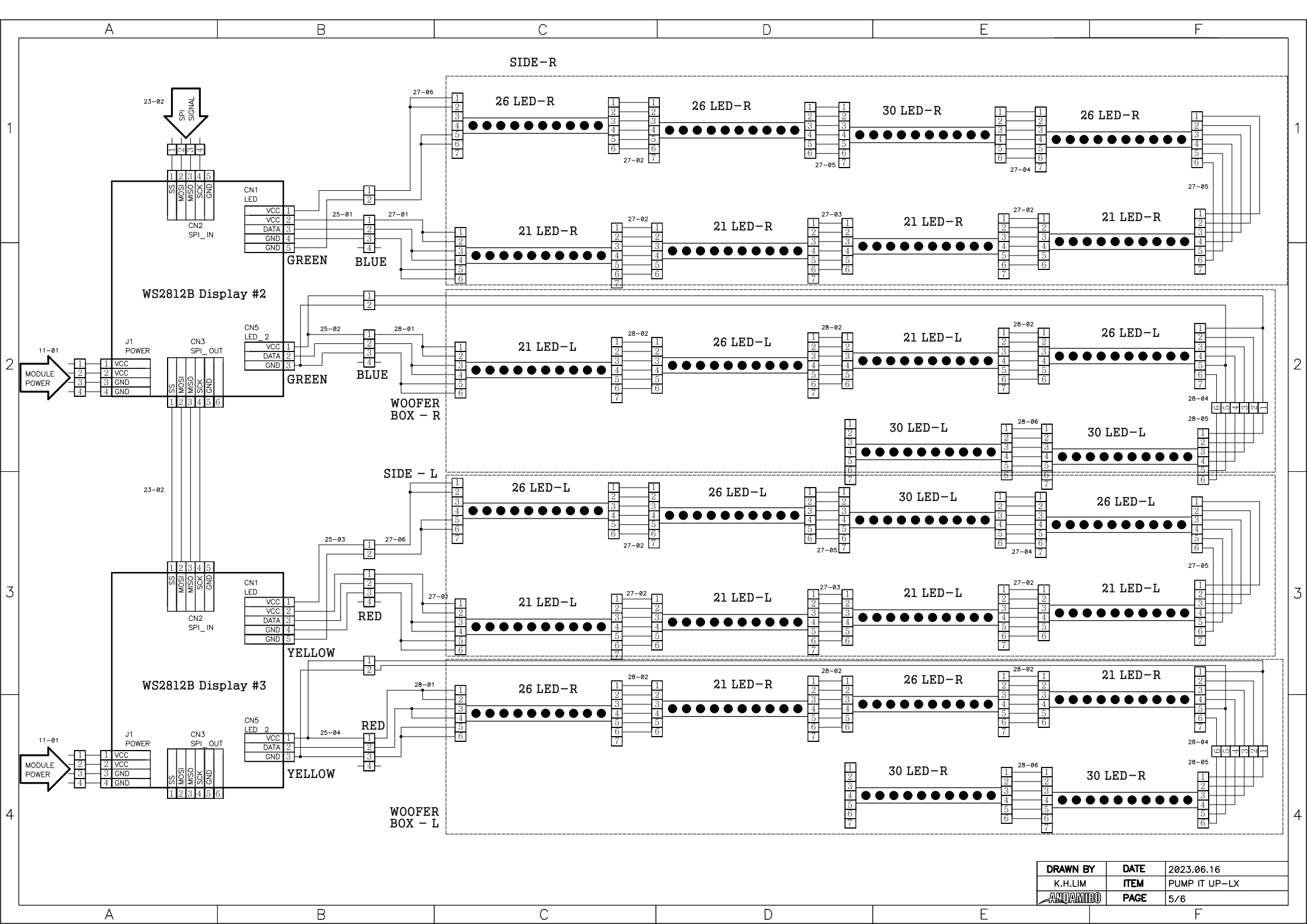


USB I/O 2/2

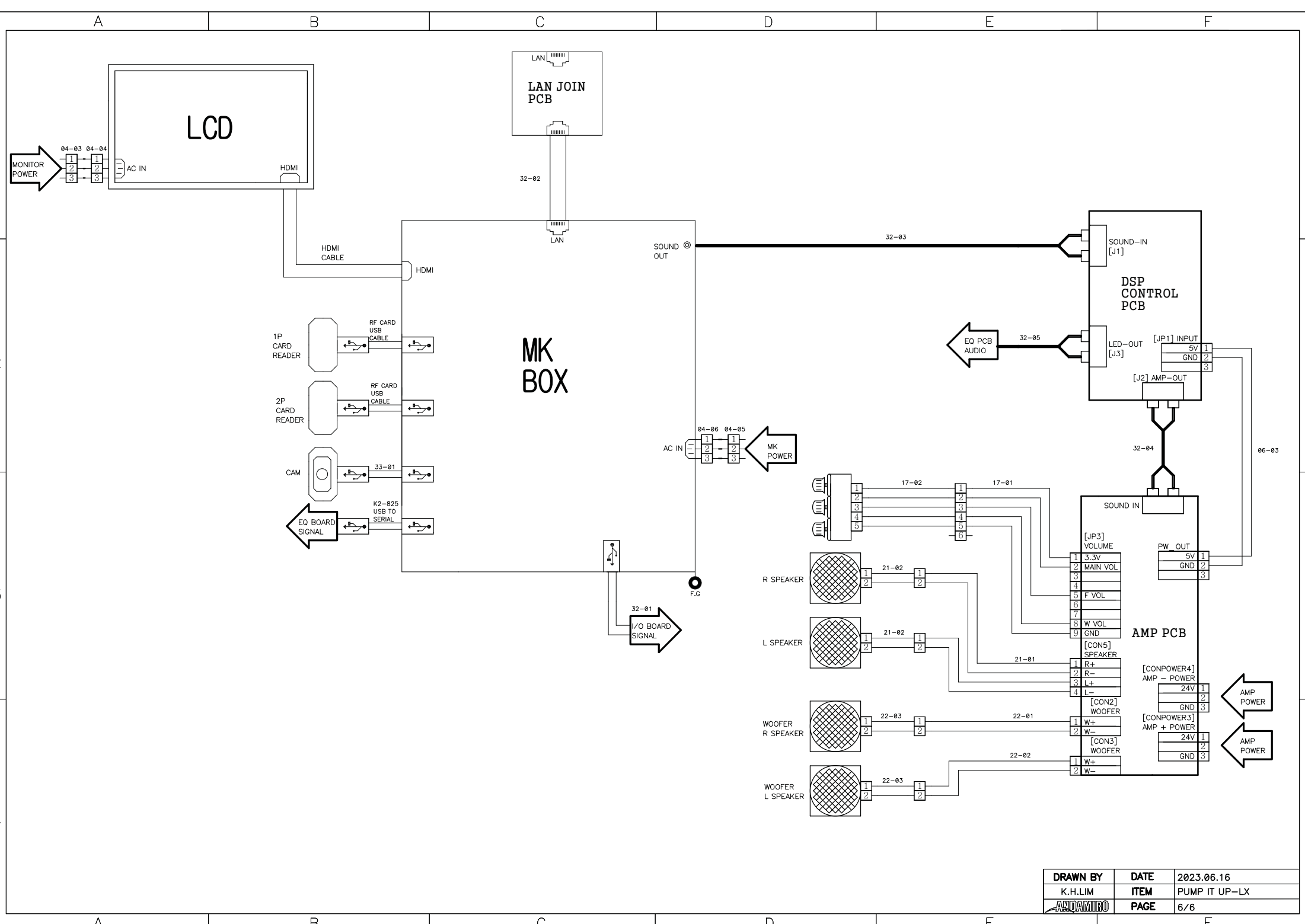




DRAWN BY	DATE	2023.06.16
K.H.LIM	ITEM	PUMP IT UP-LX
ANDAMIRO	PAGE	4/6



DRAWN BY	DATE	2023.06.16
K.H.LIM	ITEM	PUMP IT UP-LX
ANDAMIRO	PAGE	5/6



DRAWN BY	DATE	2023.06.16
K.H.LIM	ITEM	PUMP IT UP-LX
ANDAMIRO	PAGE	6/6



ANDAMIRO WARRANTY POLICY



Andamiro warrants to the original purchaser that all of its products will be free from defects in material and workmanship.

Andamiro warrants the parts from date of shipment as follows.

- One Year Limited Warranty : Electronic Boards & Monitor

For any key components within the warranty period, Andamiro will repair or replace defective components free of charge.

When placing a warranty request, the customer is requested to furnish the following information:

1. Name of the game.
2. Serial Number of the game.
3. A Detailed Description of the defect/s experienced.

This warranty does not apply to the defects caused due to misuse or abuse of the product.

Any alterations made to game or game parts will void this warranty.

For warranty details on our product range please visit our website, www.andamiro.com.

ANDAMIRO CO., LTD.
www.andamiro.com





ANDAMIRO CO., LTD.
TEL : 82-31-909-2123~5

[ADDRESS OFFICE] 704-1 Techno Town, 138, Ilsan-ro, Ilsandong-gu, Goyang-si,
Gyeonggi-do, 10442 Rep of Korea

[FACTORY] 72 Nocheom-gil, Ilsandong-gu, Goyang-si, Gyeonggi-do, 10432 Rep of Korea

USA BRANCH
ANDAMIRO USA CORP.
TEL : 1-310-767-5800

[ADDRESS] 2222 Century Cir, Irving TX 75062 U.S.A

Homepage <http://www.andamiro.com/>