



Setup and Operation Service Manual

For use with:
Panorama Cabinet
42" Dedicated Cabinets

Revision 1.08-6.15-1



Big Buck Hunter® Reloaded™ Copyright 2019 Play Mechanix™ Inc.

This software is based in part on the work of the Independent JPEG Group.

This product includes software developed by the OpenSSL Project for use in the OpenSSL Toolkit. (<http://www.openssl.org/>)

This product includes cryptographic software written by Eric Young (eay@cryptsoft.com)

Table of Contents

Safety.....	3
Product Specifications.....	5
Setup.....	6
Setup Wizard.....	15
Maintenance.....	17
CoinUp®.....	19
Troubleshooting.....	25
Parts.....	29
Electrical Wiring.....	43
Contact Information.....	47



Safety

OPERATION

Before operating game, read this manual. Failure to properly install and operate this game could result in malfunction or accident. Operate the game in accordance with the manual.

TRANSPORTING

Cabinet is very heavy and contains fragile components. Use appropriate care when moving or transporting cabinet. Avoid rough handling.

HANDLING COMPONENTS

Many components are extremely sensitive to handling, environmental and Electrostatic Discharge (ESD) events—especially the computer. Do not handle it roughly. Before servicing, call your distributor and inquire about the PC warranty. Use proper ESD procedures when servicing. Protect components from harmful environmental conditions, such as extreme temperatures, excessive moisture or other damaging effects.

DISCONNECT POWER

Always turn off power and unplug the unit before servicing or making adjustments, unless otherwise instructed. Installing or repairing components while power is on can damage the components and void the warranty.

GROUNDING

Avoid electrical shock. Do not plug in AC power until you have inspected and properly grounded the unit. Only plug into a grounded, three-wire outlet. Do not use a “cheater” plug or cut off the ground pin on the line cord.

ELECTRICAL SHOCKS

There is no isolation transformer in the cabinet. Disconnect AC power before servicing. However, be aware that lethal voltages can remain in the electronic components even when AC power is disconnected. Use extreme caution when servicing. Verify that there is a working ground connection. If the unit sustains water damage, cease using it immediately and unplug AC power.

MONITOR

Extremely high voltages exist in the monitor at all times. These high voltages exist even when the monitor is off and the AC line cord is disconnected. These voltages are extremely lethal and will cause death. The monitor contains no user serviceable parts. Do not attempt to service the monitor.

POWER SELECTOR

Before installing game, ensure the voltage on the PC is set properly. There is a 115/230 VAC selector switch that must be set for the correct voltage for your site. Verify the fluorescent lamp rating. The rating must match the line voltage at the installation site.

CONNECTORS

Ensure all connectors mate properly. If connectors do not slip in easily, do not force them. Connectors are often keyed and only connect one way. Check for correct orientation.

COMPUTER

The computer contains sensitive components, including a hard drive. Do not handle it roughly. Call your distributor before servicing its internal components. Ask about warranty information as it relates to the PC.

Do not turn the PC power switch on or off. It should remain permanently in the ON position.

Cycle AC power on or off with the cabinet power switch.

A dongle has been inserted into one of the USB ports. This is required for game play.

Do not remove the dongle except for troubleshooting purposes.

POWER CORD

If the power cord is damaged or lost, replace it with an identical cord as supplied by the manufacturer or an authorized service agent.

WATER JETS

Do not install or operate game within operating perimeter of a water jet. Do not clean equipment using water jet.

HAZARD TO EPILEPTICS

A small portion of the population has an epileptic condition that may cause seizures. Affected persons experience seizure while watching some television pictures or playing certain video games. People who have not had seizures may still have an undetected epileptic condition. If anyone in your family has experienced epilepsy symptoms (seizures or loss of awareness), consult your physical before using video games. While children play video games, a parent should observe. Be alert to the following symptoms: dizziness, altered vision, eye or muscle twitching, involuntary movements, loss of awareness, disorientation or convulsions. If you or your child experiences these symptoms, discontinue use immediately and consult your physician.

MANUAL

Keep this manual available and ready for use. If the game fails to function properly, turn off the machine and unplug the AC line cord. Contact your local distributor. You may not reproduce this document or any of its contents without written authorization from Raw Thrills™, Inc. or PlayMechanix™ Inc.

SPECIFICATIONS

For reasons such as performance, this product's specifications may change without notice. Federal patent, copyright and other intellectual property laws protect the content, devices and design of the game and its equipment.

Product Specifications

Electrical Power

Domestic 120 VAC @ 60 Hz, 5 amps
 International 240 VAC @ 50 Hz, 2.5 amps
 Japan 100 VAC @ 50 Hz, 5 amps

DC Power Fuse Guide

+5 VDC - 2 amp Slow Blow +12 VDC - 7 amp Slow Blow

Temperature

32° to 100° Fahrenheit (0° to 38° Celsius)

Humidity

Must not exceed 95% relative humidity

Panorama Cabinet Dimensions

Height: 86" Width: 31.5" Depth: 51.694" *
 *Dimensions do not account for varying screen dimensions
***Monitor weight does not exceed 120 lbs**

Panorama Carton Specifications

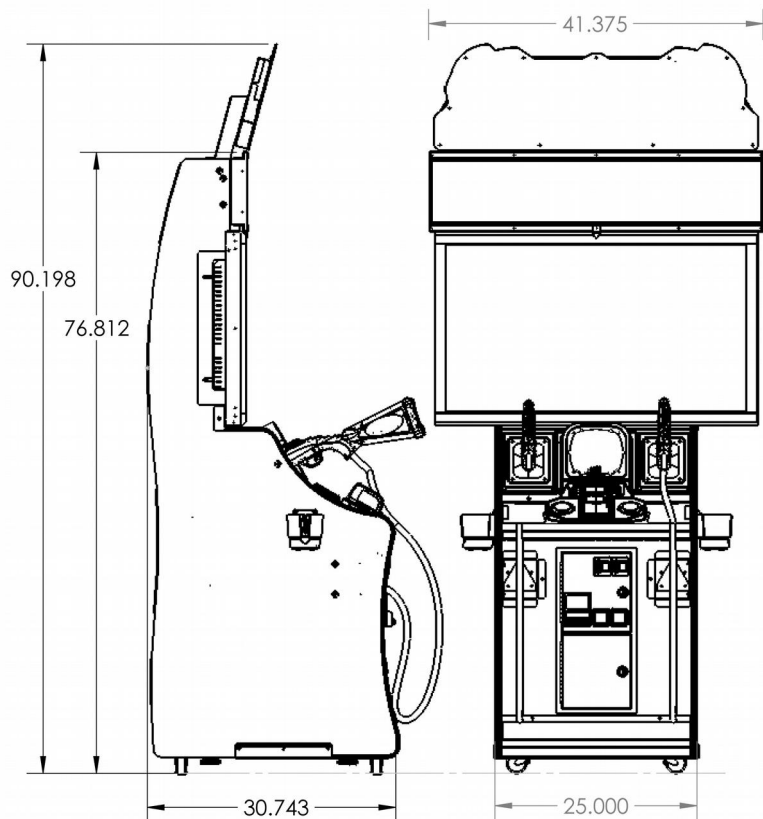
Weight: 287 lbs
 Height: 41"
 Width: 31.5"
 Depth: 51.694"

42" Dedicated Cabinet Dimensions

Height: 90.198"
 Width: 41.375"
 Depth: 30.743"

42" Dedicated Carton Specifications

Weight: 365 lbs
 Height: 83.5"
 Width: 43"
 Depth: 37"



Setup

Panorama Cabinet Setup

Unpack Carton

1. Place the shipping crate on a flat stable surface.
2. Cut the banding straps and remove the cardboard lid.
3. Lift off the large cardboard container surrounding the cabinet and any shipping cleats.
4. Remove the two steel monitor stanchions.
5. Remove both guns from the carton situated on top of cabinet pedestal.
6. Place the guns in holsters on cabinet bezel.
7. Remove carton containing mounting bracket assembly and marquee assembly.
8. With at least two people and a dolly, remove the cabinet from the shipping pallet.
9. Remove the coin door key from the coin return chute.
10. Open the top coin door.
11. Locate the key for the back door and the cash box.
12. Remove the items inside cash box: AC power cable, a bag of screws and tools, marquee power cable, this manual, registration packet, and cell antenna mount

Verify Contents

Verify you have received the following contents.

- (1) Big Buck Reloaded marquee
 - (1) Marquee Power Cable
 - (2) Monitor Stanchion
 - (1) Mounting Bracket
 - (1) AC Power Cable
 - (1) Cell Antenna mount
 - (1) Parts Bag Containing:
 - (4) ¼-20 x 3.5" flat-head bolts
 - (4) ¼-20 x 3" Hex bolts
 - (8) ¼-20 elastic stop nuts
 - (1) HDMI Cable*
 - (1) Mounting Screw Bag *
- *Not pictured

NOT INCLUDED:

- **Monitor**



Purchase a Monitor

Monitor selection is vital to game performance. This is due not only to visual quality but more importantly due to input latency. A high input latency can cause a noticeable delay between a player's input and its effect onscreen. It is advisable to avoid using low end models or older models. They may be cheaper, but the price can come at a cost in performance. Similarly, high end models may have additional features that negatively impact input latency. Look for a display built with gaming in mind, such as those with a game mode setting. Consult with the manufacturer and/or vendor to find a suitable low input latency monitor. Consult monitor manual and/or manufacturer to setup and configure display for low input latency.

At minimum, monitor should be a 1080p flat panel ranging from 42" to 55" with HDMI input. It is strongly recommended to use a display with a game mode.

Note – Not all monitors have GAME MODE. Refer to monitor manual for confirmation.

Note – Not all monitors with GAME MODE have acceptable input latency.

Requirements

- 1080p
- HDMI input
- Monitor weight does not exceed 120 lbs

A list of approved monitors can be found at <http://rawthrills.com/>

Consult your distributor for further assistance in finding an acceptable monitor.

Mounting Screws

As VESA mount point thread sizes vary from monitor to monitor, you will need 4 of these screws, if your selected monitor does not include them.

A selection of the most commonly sized mounting screws has been included.

- **(4) 6MM X 16MM machine screws**
- **(4) 6MM X 30MM machine screws**
- **(4) 8MM-1.25 X 16MM machine screws**
- **(4) 8MM-1.25 X 30MM machine screws**

Setup Cabinet Pedestal

1. Using a wheeled cart and at least one assistant, transport the cabinet to a suitable playing area.

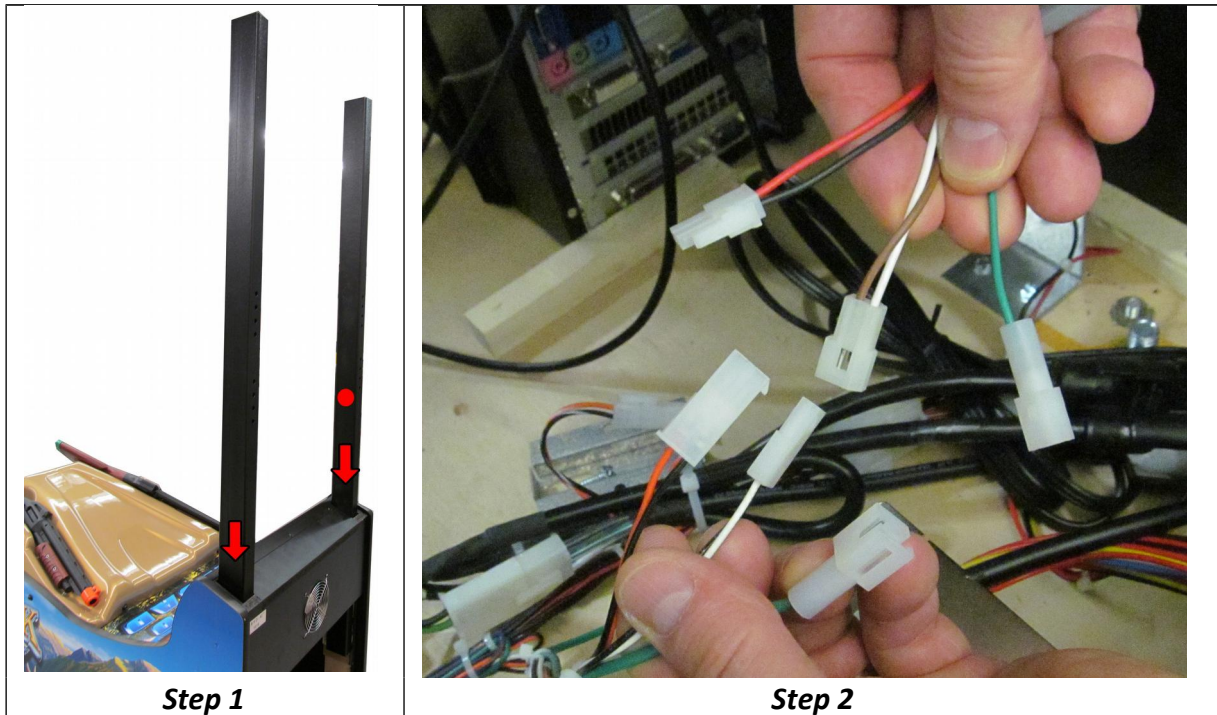
Proximity to Neon Lights

Neon lights may reduce the ability of the IR sensors to accurately track the guns. Place the cabinet far away from neon lights or turn off any nearby neon lights.

2. Ensure the game cabinet is level and stable.
With at least one assistant, adjust the leg levelers.
3. Check the AC line cord for visible signs of damage.
Pay particular attention to the plug and line cord insulation.
4. Check for shipping damage.

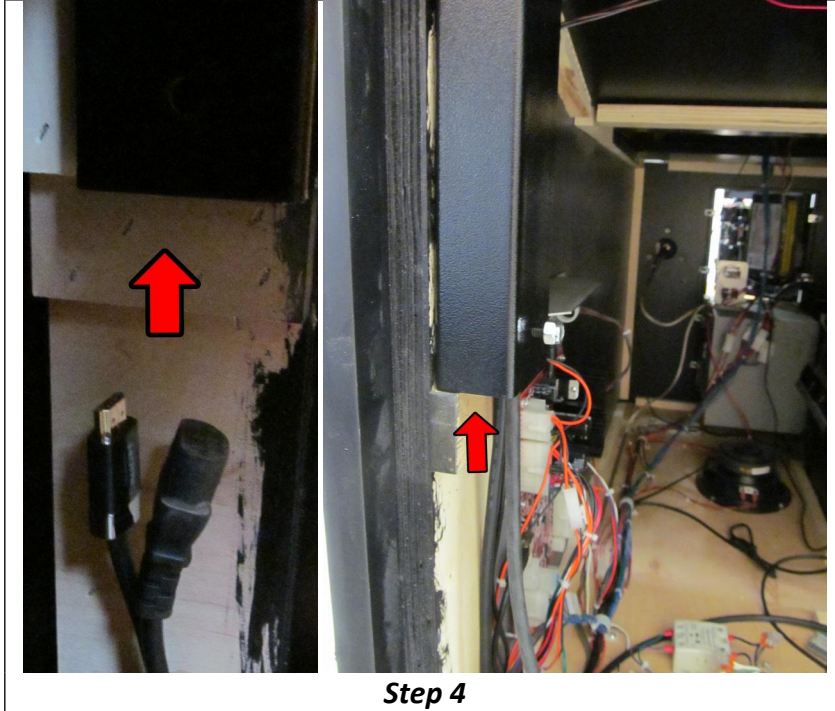
Setup Monitor Stanchions

1. Place the stanchions in each of the mounting voids with cabinet-bolt holes at the bottom. Center hole should be facing inside of cabinet as pictured.

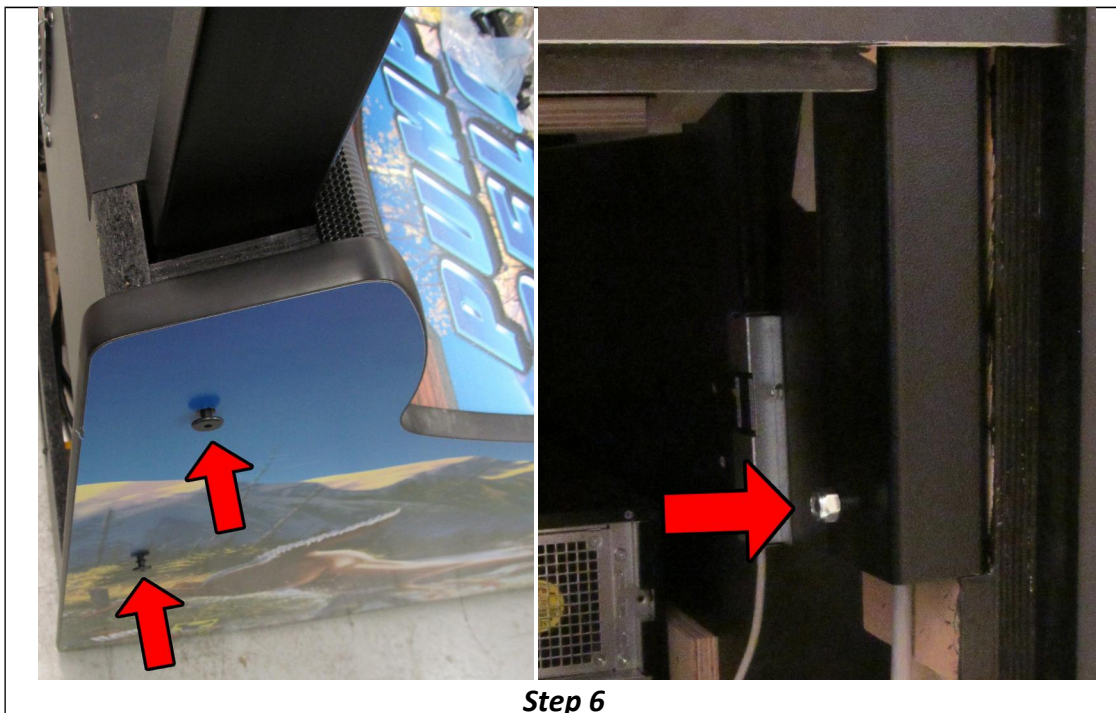


2. Facing the back of the game, route Marquee power cable through right stanchion. 6-pin connector should remain at top. Locate and connect trio of connectors at the bottom.
3. Connect HDMI cable to PC and connect monitor power cable inside cabinet.

4. Route the monitor HDMI and monitor power cables through the left stanchion tube. Start routing at bottom of stanchion. Route cables to midpoint opening with 12" slack exposed. **Note: Some monitor power cables are fixed to the monitor. In such a case, cable must be routed through stanchion after hanging monitor.*

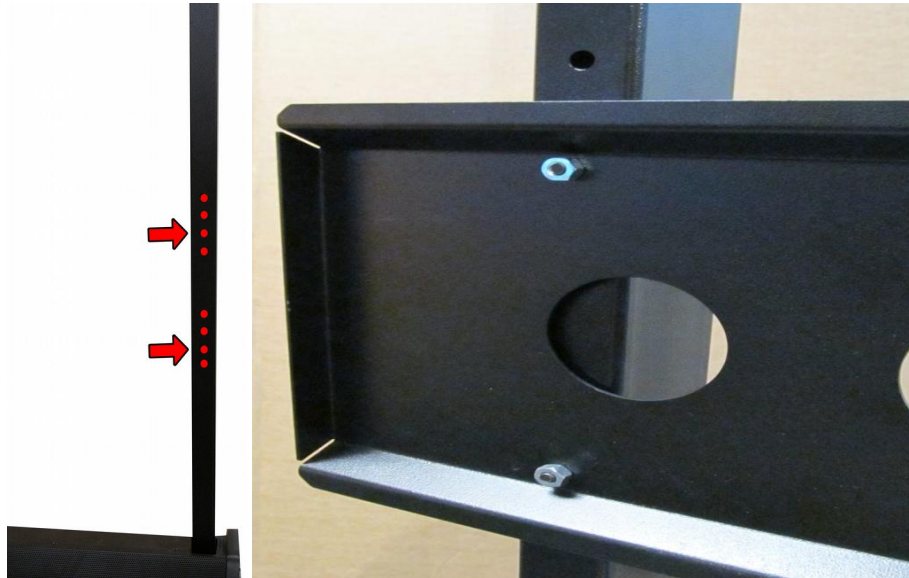


5. Locate hardware bag provided in the marquee box.
6. Using (4) ¼-20 x 3.5" flat-head bolts and (4) ¼-20 elastic stop nuts, secure stanchions.



Attach Mounting Bracket to Stanchions

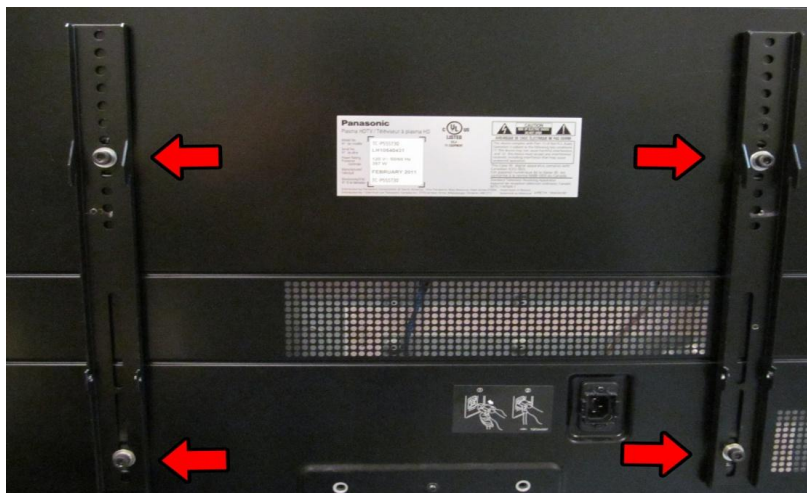
1. Locate Mounting Bracket in the marquee box.
2. Position mounting bracket to use 3rd hole set from the top of the stanchions.
3. Slide (4) ¼-20 x 3" hex bolts into mounting bracket from rear of stanchions.
4. *Secure bolts with (4) ¼-20 elastic stop nuts at the front of the stanchions.*



Mounting Bracket as seen from front of cabinet

Attach Monitor Mounts

1. Locate monitor mounts in the marquee box.
2. Locate VESA mount holes on the back of your selected monitor.
3. Position mounts in line with VESA mount holes.
Make sure to center the mounts vertically within the height of your monitor.
4. Fasten the monitor mounts to the back of the monitor.
As VESA mount point thread sizes vary from monitor to monitor, be sure to use the correct size of screws from the included assortment, if they are not provided by your selected monitor.



Attach Monitor to Mounting Bracket

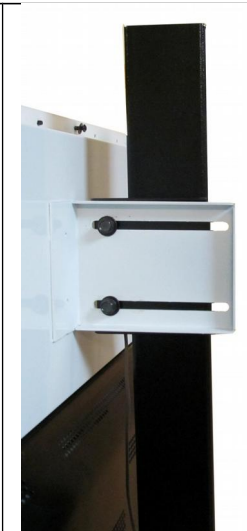
1. With at least one assistant, raise monitor above cabinet pedestal.
2. Slide monitor on to mounting bracket.
3. Connect monitor power cable to monitor
4. Connect hdmi cable to monitor

Setup Marquee Assembly

1. Remove marquee assembly from box.
2. With at least one assistant, raise marquee assembly above stanchions.
3. Slide marquee down onto stanchions.
Be careful not to pinch cables.
4. Route IR and marquee cables through marquee mounts.
5. Rest marquee on top of monitor.
6. Adjust horizontal position of monitor. Marquee tab should be centered within monitor face.
7. Adjust depth of marquee. Be sure centering tab overlaps front of monitor.
Marquee tab should be flush against monitor face.
8. Secure marquee depth and height by tightening (4) marquee bolts.



Step 6 and 7



Step 8

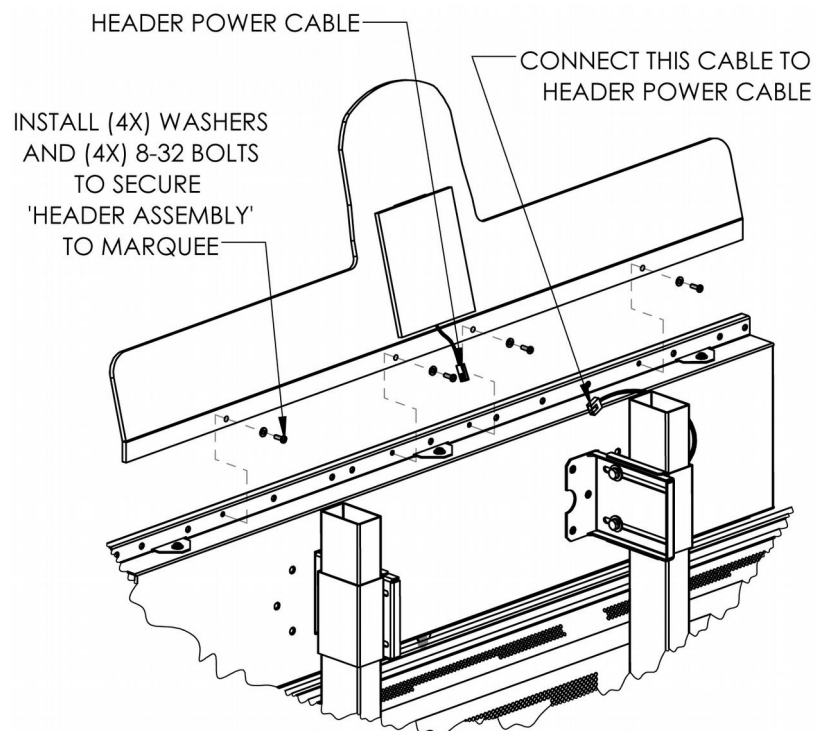
9. Connect IR marquee 6-pin connector at top of stanchion.



10. Verify monitor is centered relative to marquee by sliding monitor left or right. Centering monitor is critical for gun calibration and performance.
11. Secure monitor to bracket by tightening the set screws on the monitor mounts.

Attach Terminator Header to Marquee

1. Connect Header power cable
2. Secure Header using four 8-32 bolts with washers.



Dedicated Cabinet Setup

1. Place the shipping crate on a flat stable surface.
2. Cut the banding straps and remove the cardboard lid.
3. Lift off the large cardboard container surrounding the cabinet and any shipping cleats.
4. With at least two people and a dolly, remove the cabinet from the shipping pallet.
5. Remove the coin door key from the coin return chute.
6. Open the top coin door.
7. Locate the key for the back door and the cash box.
8. Remove the items inside cash box: AC line cord, a bag of screws and tools, and a warranty card.
9. Using a wheeled cart and at least one assistant, transport the cabinet to a suitable playing area.

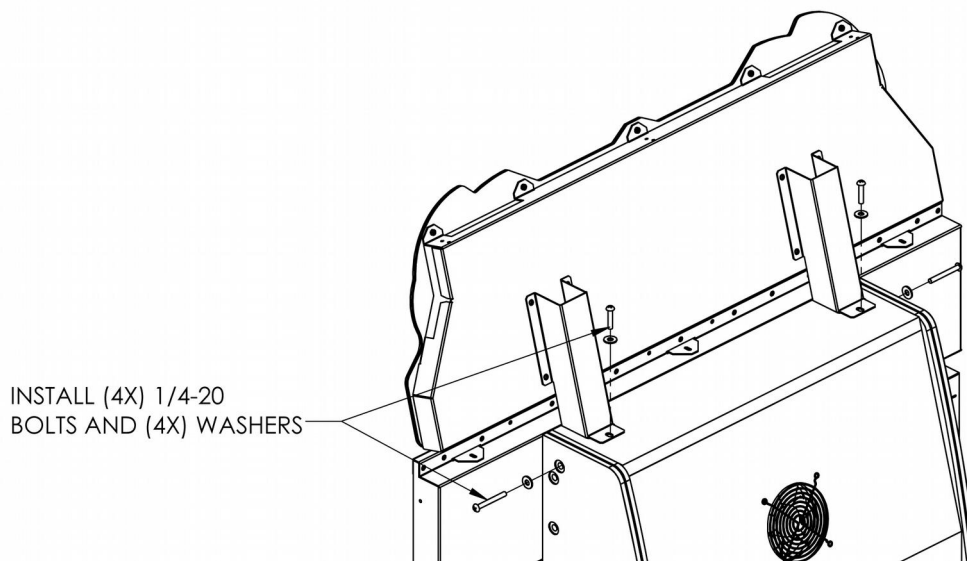
Proximity to Neon Lights

Neon lights may reduce the ability of the IR sensors to accurately track the guns.
Place the cabinet far away from neon lights or turn off any nearby neon lights.

10. Remove packing material from the guns.
11. Ensure the game cabinet is level and stable.
With at least one assistant, adjust the leg levelers.
12. Check the AC line cord for visible signs of damage.
Pay particular attention to the plug and line cord insulation.
13. Check for shipping damage to the following:
 - Gun assembly: Left and right guns, gun holders, and cable
 - Cabinet glass: Marquee and monitor
 - Cabinet back door
 - Cabinet coin door
 - Cabinet and gun decals

Attach Marquee to Dedicated Cabinet

1. Remove marquee from packaging.
2. Place marquee on top of game and connect electrical cables.
3. Secure marquee using four 1/4-20 bolts and four washers.



Verify Cabinet Functionality

1. Verify the voltage in the nearest AC outlet.
2. Verify the AC outlet ground connection is present and working.
3. Open the back door of the cabinet.
4. Near the AC power transformer, verify the voltage selector switch is set for the correct AC voltage.
5. Remove the marquee front plate.
6. Verify the fluorescent fixture in the marquee is set for the correct voltage.
7. Replace the marquee front plate
8. Plug the line cord into the AC outlet.
9. Replace the back door.
10. Turn the power switch to ON.
11. Verify that the cooling fans on the cabinet are working.
If not, turn off AC power and disconnect line cord. Contact Betson service
12. Check that no component is excessively hot or emitting foul odors.
If so, turn off AC power and disconnect line cord. Contact Betson service.
13. Once software loads, you will be asked to setup the cabinet software.

Setup Wizard

The Setup Wizard provides a step-by-step setup procedure.

Gun Calibration

1. Pull the trigger on the left gun to indicate that it is Player 1.
2. Stand directly in front of the gun pedestal; aim at the dot above the screen and shoot.
3. Continue to aim and shoot targets as instructed.
4. The targeting reticle indicates the spot where the gun is aimed.
Verify accuracy by pointing at different areas of the screen.
5. Accept calibration by pressing start button.
6. Repeat steps 2-5 for right gun.
7. Press Start button when finished.

Monitor Latency Test



Only part of Setup Wizard for Panorama Cabinets

1. Press start button to begin test
2. Watch the demo video or press test to skip.
3. Aim down the site and move gun left and right across the screen.
4. Determine monitor latency level.
If reticle stays in the **GREEN** zone while moving left/right, monitor has acceptable latency.
If reticle enters a **RED** zone, monitor has unacceptable latency.
5. Press test when done.

Consult distributor, monitor manual, and/or manufacturer for settings to help reduce latency.

Color & Brightness

Adjust color, contrast, brightness and other monitor settings for best picture quality.

Operator Registration

1. If you already have an existing account, login with your Operator id and pin.
2. To register as a new operator, follow the step-by-step instruction to create an account.

Cabinet Registration

Select or setup a location for the cabinet. This will provide tracking/management functionality through coinup.com. It will also allow players to locate the game through bigbuckhd.com.

Connectivity Wizard

Accept cell contract or reconfigure connection.

Verify Input and Output Functionality

See the Diagnostic Section for further information.

1. Enter the SWITCH TEST menu and verify all switches function.
2. Enter the SCREEN TEST menu and verify that video is acceptable.
3. Enter the SOUND TEST menu and verify the audio works and is not distorted.
4. Enter the COIN METER TEST and verify the operation of the coin meter.
5. Enter the START BUTTON LAMPS menu and verify that the lamps of the buttons work correctly.
6. Enter the WATCHDOG TEST menu, which re-boots the game.
7. Upon a successful re-boot, you are ready to make adjustments to pricing, volume and other functions found in the Diagnostic Section.

Verify Cabinet Connectivity

See Diagnostic Section for further information

1. Select ONLINE and run test connection
2. If any of the tests result in FAILURE, consult troubleshooting section.
3. Return to ONLINE and enter Cellular Information.
4. If connection is not optimal, consult connectivity guide.

Maintenance

Regular Gun Maintenance Procedure

Big Buck HD® is equipped with two state-of-the-art custom-designed gun controllers. In order to maximize income potential, keep the guns in optimal working order by performing the following five-step procedure every time you empty the cash box.

- 1. Check the camera lens**
Observe the tinted lens at the tip of the gun to ensure it has no cracks, scratches or dirt. Clean or replace the lens, if necessary.
- 2. Visually and manually inspect gun cable connections**
Open the coin door to see them. Reach in and ensure the cables are fully connected and are not pinched by any components.
- 3. Verify switch functionality**
Press the Test button on the service panel, select Tests, select Input Tests, and then select Switch Test (described earlier in this manual) to ensure all the gun switches are functioning properly. Switches in the gun include
- 4. Calibrate, calibrate, calibrate**
Return to the Main Menu screen and select Gun Calibration. Follow the instructions earlier in this manual or on screen to recalibrate both guns.
- 5. Check IR sensors**
The IR sensors are directly below and above the printed marquee on the monitor assembly. From the Main Menu, select Tests, select Input Tests, and select IR Gun Sensor Test.

Recalibrate the guns any time the game is moved or the guns are repaired, replaced or swapped. Note: It is not advisable to replace or swap guns while power is on. Shut AC power off before connecting or disconnecting any components. If, for some reason, guns are changed while power is on, shut off AC power and reboot after the guns are connected again. Failure to do so may confuse the system so it does not recognize the guns.

**Following These Procedures Is Critical To
Maintaining Guns and Maximizing Revenue.
Perform regular gun maintenance to keep your
game in top working order.**

Hard Drive Recovery

Hard Drive Recovery is used to update your game with new software or return to factory default.

Symptoms requiring hard drive recovery include:

- File Test reports bad or missing files
- Game fails to finish loading during startup
- After resetting the AC power, an error is reported
- You are prompted to insert a boot DVD
- Erratic Game or Attract Mode

COMPUTER

The computer contains sensitive components, including a hard drive. Do not handle roughly. Call your distributor before servicing its internal components. Ask about warranty information as it relates to the PC.

Do **not** use the PC on/off switch. Turn AC power on or off with the cabinet power switch.

USB Flash Installer

1. Before installing software, perform collection and online sync, if desired.
Software restore will clear all data and any data pending submission will be lost.
2. Turn cabinet AC power switch to OFF.
3. Connect the USB flash installer to the cabinet's PC and turn cabinet AC power switch to ON.
4. Install menu will appear after reboot.
*If install menu fails to begin, check that installer is seated properly in the PC's USB port.
If it is seated properly, BIOS settings may be incorrect. Contact CoinUp® support for assistance.*
5. Navigate install menu with vol +/- buttons, as needed.
6. When prompted, select software version for Big Buck and confirm to begin installation.
7. Software installation will take several minutes. Check progress periodically.
Do not interrupt power or reset the game during recovery.
8. When software has finished installing, a message indicates that restore is complete.
9. Disconnect the USB flash installer from the PC. Turn cabinet power switch OFF.
10. After 30 seconds, turn cabinet's AC power switch ON.
11. Follow on-screen instructions to complete game setup.
Settings will be factory defaults – make changes as desired.

CoinUp®

Operation Overview

Having your game connected to CoinUp® allows easy access to software updates and permits game health and earnings to be monitored via coinup.com.

There are three ways to connect: wired, cellular, or wireless.

Operator Registration

New operators may register directly at the game. Simply follow the steps during the Setup Wizard.

You will need a valid credit card to complete registration. Card will be charged \$0.01; this charge is immediately voided and will not appear on your monthly statement.

Be sure to note your assigned operator id number and your pin. These numbers distinguish operators and are used to login to the game during unit registration.

Alternatively, complete the following steps.

1. Open a bank debit account.
2. Complete CoinUp® Operator Registration Packet.
 - Fill out the CoinUp® *Authorization Agreement for Automated Payments*.
 - Read and sign the CoinUp® *Participating Operator Agreement*.
 - Read and sign the CoinUp® *Operator Registration Form*.
3. To become an authorized operator, fax the forms to (630) 348-2099 or mail them to:
Play Mechanix™
800 Roosevelt Road, Suite D-103
Glen Ellyn, IL 60137
Authorization occurs in just a few days. Login information will be sent via email.

Unit Registration

During the setup wizard, you will be prompted to register the game. This links the game to the operator and ties it to a specific location. Unit registration permits monitoring and management via coinup.com. Follow the on-screen prompt to login and add/select a location to complete registration.

Access CoinUp® Operator Center

The CoinUp® Operator Center tracks the performance of your games. For example, you can compare performance of different machines at the same location, or even across locations. To access CoinUp® and view your pages, follow the steps below. From there, the site provides guidance. You follow easy prompts and navigate to the statistic, accounting, bookkeeping or performance data that you need.

1. Access the CoinUp® Web site at www.coinup.com.
2. Enter the account e-mail address and password to login.
3. (Optional) To change login information, use the Profile tab.
4. Select locations or products to view.

FCC Compliance You are solely responsible for FCC compliance on installations.

Network Configurations

Wired Connection – Ethernet Cable

1. Set up DSL or cable modem service through an ISP.
2. Turn off AC power, unplug the power cord, and open the back door.
3. Run the Ethernet cable to the cabinet.
4. Route the Ethernet cable through the mouse hole in the back door.
5. Inside the cabinet, dress the Ethernet cable away from other cables and metallic parts.
6. Connect the Ethernet cable to the RJ45 jack on the PC.
7. Close the back door.
8. Plug in power cord and turn on AC power.

Cellular Connection - Cell Modem

A cell modem and antenna comes installed and configured with the cabinet. If cell modem is not utilized, it will automatically be deactivated. A deactivated modem will have to be re-activated by Coinup® support before it can be used. An active cell modem must have its cell modem contract accepted to be fully functional.

Wireless Connection - Wi-Fi Adapter

A Wi-Fi adapter comes installed and configured with the cabinet.

Connection Wizard

The connection wizard provides a step-by-step guide to configuring an internet connection. Select a connection type and follow the on screen instructions.

Wired Configuration

- Dynamic will automatically try to assign an IP address to the game machine
- Static allows the game machine to be set with a fixed IP address

Cellular Configuration

- Game will try to dynamically configure cellular connection.

Wireless Configuration

Prepare for Setup

1. Log into wireless access point or router.
2. Write down Wi-Fi network information on a sheet of paper:
 - SSID (network name)
 - Broadcast Channel
 - Encryption Type (WEP 64-bit, WEP 128-bit, WEP 256-bit, WPA-PSK + TKIP encryption, WPA-PSK + AES encryption, WPA2)
 - Encryption Key (Different encryption types require different keys. See below for examples)

Encryption Type	Key Details	Credit Card - PCI Compliant
None/Open	None	NO
WEP	10, 26, or 58 hexadecimal characters	NO
WPA or WPA2	8-63 character ASCII pass phrase	YES

Note: PCI Compliance is required for credit card usage. Game will only allow credit card use if wireless network is encrypted with WPA/WPA2 standards.



Enter Network SSID

1. Start Connection Wizard from Online option in diagnostics menu.
2. Select Wireless. The game will try to scan for available networks.
3. Scroll through the detailed list to locate your network.

*Depending on settings, networks may not broadcast their SSID. These networks are displayed as ****HIDDEN****. To use a hidden network, select it, and enter the SSID manually when prompted.*

4. If network does not appear in list, select rescan to refresh list of available networks.
Alternatively, select Enter Manually: enter SSID, encryption type, key and broadcast channel.

Select Encryption Type

This section only appears if Enter Manually was selected.

1. Shoot options to select None, WEP, or WPA/WPA2.
2. Shoot Select Encryption Type to continue.

Enter Encryption Key

If the encryption type is disabled/open, skip this section, because there is no key.

1. Shoot onscreen keyboard to enter security key/passphrase.

Broadcast Channel

This section applies only if the SSID was entered manually.

1. Scroll through the list and shoot to select the appropriate channel.
2. If you are unsure of the correct broadcast channel, select Auto.
3. Shoot Select Channel to continue.

Confirm Wi-Fi Info

This section only appears if Enter Manually was selected.

1. Verify that information on the confirmation screen is correct.
2. If the information is incorrect, select Prev to return to prior sections of Wi-Fi setup.
3. If the information is correct, select OK to store the information.

Select Dynamic or Static

- Dynamic will automatically try to assign an IP address to the game machine
- Static allows the game machine to be set with a fixed IP address

Checking the Connection

Cell or Wi-Fi Users

1. Enter Diagnostic mode by pressing the TEST service button.
2. Select Online – select Cellular Information or Wi-Fi Information.
3. Connection Status should indicate Connected
4. Note the signal strength, which appears as a set of colored bars. Green bars indicate strength. A strong signal is 5/5; a weak signal is 1/5 or 2/5.
5. If strength is below 3/5, reposition and recheck signal strength.

All Users

1. Enter Diagnostic mode by pressing the TEST service button.
2. Select Online then select Connection Details and Test.

3. Execute Test Connection to verify:
 - It can obtain a valid IP address.
 - It can contact the CoinUp® game server.
 - It can access the CoinUp® database and the CoinUp® file server.
4. The test results section reports: SUCCESS or FAILURE.
If any ping results in FAILURE, see the Troubleshooting chapter or call your distributor.

Game Registration

After the first reboot with a network connection, you will be prompted to register your location. You can also register by entering the Diagnostic menu, select Online, then select Cabinet Location/Registration.

1. Login by swiping operator card or manually with operator id and pin.
2. Set Cabinet Location screen appears, downloading locations from CoinUp® automatically.
3. Scroll through the list and highlight the appropriate location.
4. Shoot the location to continue.
5. After location is chosen, a confirmation screen is displayed.
6. Shoot Use this Location to continue.
7. If the location is not on the list, shoot Add New Location to continue.
8. When adding a new location, follow step-by-step instructions to provide needed information.

Online Operation

1. Ensure game remains connected to the CoinUp® network.
2. The hard drive stores data about the game location. If the hard drive is removed from the PC, important data will be lost. Do not swap or replace drives without authorization from CoinUp®.
3. Keep game location data accurate. Before moving a game, have the PC communicate with the server, then unregister the game. Re-register the game with updated information at the new location.

Collection Procedure

The CoinUp® server tracks various book-keeping statistics including collections. To see them, log on to the CoinUp® Operator Center page at www.coinup.com and go to the Reports section.

1. During a normal collection, enter Diagnostic mode - select Utilities – select Collection.
2. Detailed breakdowns for Cash Cards, Player Account, Credit Cards, and CoinUp® can be seen in their respective menus.
3. Select Take Collection and Review the entire report.
The system calculates Gross Collection from the last time the report screen was cleared.
This figure and the actual collection should agree.
4. Shoot DO COLLECTION to send collection information.
5. After sending the collections, coin related audits are automatically reset.
This allows coin audits to accurately reflect earnings since the last collection. If you don't send collections, the next collection won't match the figures on the Collections screen and you will not be able to view your collections on www.coinup.com.
If you wish to reset the other game audits, go to Reset Menu and select Reset Game Audits.
6. Split collection with location as usual. CoinUp® debits your account for its portion.



CoinUp® Fee Schedule

Pricing is subject to change without notice.

For online features, CoinUp® collects revenue sharing fees. Additional fees are collected by CoinUp®, but are passed along. Cellular Service fees are passed along to cellular provider, credit card fees are passed along to credit card companies, and tournament prize funding paid for by the players is passed along to any winners.

CoinUp® Sponsored Content

Service	CoinUp® Fee	Who Pays
Casual Play (Trek)	\$0.15	Player, at game
Casual Play (Adv)	\$0.30	Player, at game
Casual Play (Custom Tourney)	\$0.15	Player, at game
Casual Play (Bonus Only)	\$0.15	Player, at game
Pro Play (Trek)	\$0.50	Player, at game
Pro Play (Adv)	\$1.00	Player, at game
Pro Tourney Funding (Trek)	\$1.00*	Player, at game
Pro Tourney Funding (Adv)	\$3.00*	Player, at game
National Tournament	variable*	Player, at game
Supermarksman Funding	\$1.00*	Player, at game

***CoinUp® collects a funding fee for tournaments, which is paid out as prizes to the players. For national tournaments, these funding fees may vary from tournament to tournament.**

CoinUp® Service

Service	Cost	Who Pays
Cellular Service *	\$9.99	Operator
Credit Card Fees**	2% + fixed fees	Operator
Player Account Reload Fee***	5%	Operator
Coinup Bill Payment – Check Service	\$5.00/month	Operator

*** Cellular Service is collected by CoinUp®, passed along to cellular provider.**

****This is a flat percent of monthly usage plus a fixed fee per transaction, collected by CoinUp®, passed along to the credit card companies.**

*****This is a flat percent of monthly usage, based on player account funds purchased by credit card, passed along to the credit card companies.**

Accounting Guidelines

After the close of each billing cycle, the monthly CoinUp® billing statement, itemizing the costs of online services, is viewable through the operator account at www.coinup.com.

The statement shows the approximate date of the automatic debit, allowing time to deposit appropriate funds. The automatic debit charges the bank account submitted on your debit account form.

CoinUp® honors company checks but must receive them three or more business days before the debit date. Late or delinquent deposits may exclude a game from access to online features and incur late fees.

Term of Service for each unit

By registering a game with CoinUp®, You agree to keep the game unit online and pay the Monthly CoinUp Service fee for a period of twelve (12) months (the “**Initial Period**”). At any point after the Initial Period, You may have your game unit taken offline by contacting Play Mechanix at which point, Your current fees for that game unit are still due but no further CoinUp Fees will accrue for this game unit. If you choose to take your game unit offline, before the end of the Initial Period, a fee of \$300, less the amount of Monthly CoinUp Service fees already paid for this game unit, will be charged to your account. Initial Period will be extended by the amount of days that Monthly CoinUp Service fee may be suspended, during the Initial Period.

Monthly Coinup Service and Monthly Cellular Service fees are prorated during the first month according to the number of days after which the unit is first registered/activated. After this initial month, both Monthly Coinup Service and Monthly Cellular Service fees are billed in their entirety. These fees will be

billed recurringly each month, until canceled by taking the unit offline, as stipulated above. Early termination and/or cancellation fees may apply.

Monthly Coinup Upgrade fees are billed monthly in their entirety. These fees are billed recurringly each month, for a period of three years (36 months), or until canceled by taking the unit offline, as stipulated above. Early termination and/or cancellation fees may apply.

Premium Content Fee Schedule

Pricing is subject to change without notice.

Premium content appears in the game under the Big Buck Presents heading. These game modes provide new and unique experiences for the players. For these features, the revenue generated by the player cost is shared between the operator and CoinUp®.

Service	Operator Portion	CoinUp® Portion	Who Pays	Additional Information
CoinUp® Premium Content				
Terminator: Delta Mission	\$0.65	+\$0.35	Player, at game	Operator portion NOT adjustable
In Case of Monsters: Lost Island	\$0.65	+\$0.35	Player, at game	Operator portion NOT adjustable
In Case of Zombies: Doe of the Dead	\$0.65	+\$0.35	Player, at game	Operator portion NOT adjustable
Duck Dynasty	\$0.65	+\$0.35	Player, at game	Operator portion NOT adjustable

Premium Content Buyout

Pricing is subject to change without notice.

Buyout options are available for premium content, on a per unit basis. By paying a one-time flat fixed fee, the CoinUp® fee for the associated content is removed.

Service	CoinUp® Portion	Who Pays	Additional Information
CoinUp® Premium Content Buyout			
Terminator: Delta Mission	\$999	Operator	Taxes may apply
In Case of Monsters: Lost Island	\$999	Operator	Taxes may apply
In Case of Zombies: Doe of the Dead	\$999	Operator	Taxes may apply
Duck Dynasty	\$499	Operator	Taxes may apply

Term of Buyout for each unit

Upon buyout, You agree to keep the game unit online for a period of twelve (12) months (the “**Early Termination Period**”). At any point during the Early Termination Period, You may have your game unit taken offline by contacting Play Mechanix at which point, Your current fees for that game unit are still due but no further CoinUp Fees will accrue for this game unit. Early Termination Period will be extended, by an equal amount of days, if Monthly CoinUp Service is ever suspended. If you choose to take your game unit offline during the Early Termination Period, an Early Termination fee will be charged to your account. This fee is reduced for each full month of online operation. Early Termination fees apply for each buyout option per unit.

Service	CoinUp® Portion	Monthly Decay	Who Pays	Additional Information
CoinUp® Premium Content Buyout – Early Termination Fees				
Terminator: Delta Mission	\$200	~\$16.67	Operator	Taxes may apply
In Case of Monsters: Lost Island	\$200	~\$16.67	Operator	Taxes may apply
In Case of Zombies: Doe of the Dead	\$200	~\$16.67	Operator	Taxes may apply
Duck Dynasty	\$100	~\$8.33	Operator	Taxes may apply

Troubleshooting

Warning: Review safety chapter before making any adjustments to game.

General Troubleshooting

Problem	Possible Cause	Solution
Game will not power up	Game not plugged in.	Plug game into outlet.
	Game not turned on.	Turn on main power switch.
	Game fuse is blown.	Check and replace fuse.
	No power to receptacle.	Test outlet and plug game into powered outlet.
	PC not turned on.	Turn PC power switch on. Ensure IEC cable tightly plugged in. Trace cable back to source to ensure continuity.

Screen not powering on with game	TV Auto On not set	Consult TV manual for details.
----------------------------------	--------------------	--------------------------------

NO VIDEO message	Video cables not plugged in properly	Reattach and/or tighten video cable to monitor. Reattach and/or tighten video cable to PC.
	Faulty video cable	Replace video cable
	PC not turned on.	Turn PC power switch on.

No sound	Bad Connection	Check connection to speakers.
----------	----------------	-------------------------------

Game does not load	Hard drive failure	Recover hard drive. See procedure on pg 18.
Hard drive test reports "bad" or "missing" files.		
Game fails to finish loading.		
After resetting, game still reports an error.		
Game suggests inserting a boot DVD.		
Erratic game mode or attract mode.		
<p style="text-align: center;">WARNING! Data Files Corrupted. (Game Operation May Become Unstable.) Use "Test" Switch to Enter Test Mode and Run "File Test." Press Start To Continue.</p>		

Game resets	Bad file.	Run File Test. Restore hard drive.
-------------	-----------	------------------------------------

Problem	Possible Cause	Solution
Guns won't register or function poorly	Bad calibration	Calibrate guns.
	Dirty/damaged lens	Clean gun lens.
	Gun disconnected	Check USB connections.
Coin meter does not click during Test	No pulse to meter	Check all wiring from meter to I/O board
	Faulty meter	Replace coin meter
Exits Test Mode every 3 seconds	Test button stuck in ON position	Slide or toggle button off after Test Menu appears
<i>Dongle Not Present</i>	Dongle missing or disconnected	Find dongle usb connection and reseal in USB port
	Faulty USB port	Connect dongle to another USB port
<i>Connect I/O Board or I/O Board Missing</i>	USB cable disconnected	Check USB connection from PC to I/O board Try connecting to a different USB port
	Blown fuse	Verify 5V and 12V fuses are not blown
	No power to RIO board	Check for proper voltage (+5V, +12V) at RIO P2 connector
	Bad RIO Board	Replace RIO board with known functional board

Connection to CoinUp® Troubleshooting

General Connection Troubleshooting

Problem	Possible Cause	Solution
Connection Details and Test has IP address but Test Connection reports Database Ping failure or File Server Ping failure.	Firewall is blocking communication with server.	Read firewall documentation. Ensure configuration allows ICMP Echo. If router has built-in firewall, check router configuration. Enable communication on ports 80, 443, 7786, and 7787.
	Database or File Server is down	Wait 30 minutes and revisit Test Connection screen. If still reporting failure, call CoinUp® service.

Ethernet Connection Troubleshooting

Problem	Possible Cause	Solution
Game cannot connect to CoinUp® server. No IP address appears under Connection Details and Test	No broadband internet service	Contact a local ISP to setup either cable modem or DSL service.
	Wrong router configuration	Configure router for DHCP (Dynamic Host Configuration Protocol).
	Disconnected Ethernet cable	Check that Ethernet cables are tightly connected at both ends. An audible click confirms tightness. Reboot game. In Diagnostic mode, select Online, then Test Connection. Confirm that IP address appears. The phrase eth0 must follow IP address.
	Faulty Ethernet cable	Test cable by connecting it from another PC into router or wall jack. Replace cable if faulty.
	Faulty Ethernet wall jack.	Plug Ethernet cable into a different jack.
	Broadband service is down.	Contact ISP.
	Faulty router	Plug Ethernet cable into different jacks in router. Plug Ethernet cable directly into DSL or cable modem instead of router. Replace router if faulty.
	Faulty network card	Call CoinUp® service

Cellular Connection Troubleshooting

Problem	Possible Cause	Solution
Game cannot connect to CoinUp® server No IP address appears in Connection Details and Test Connection Details and Test reports failures	Poor connection between cell modem and PC.	Check that USB connections at cell modem and PC are tight. Turn off cabinet AC power. Wait 30 seconds and reboot game. If still not connected, enter Diag, select Online, and then select Cellular Information. If message is <i>No Modem Found or Collecting Data</i> , call CoinUp® service.
	Faulty cell modem	Ensure PWR LED on cell modem glows green, which means PC is providing modem with power. If no power, swap with working modem. Check modem for obvious damage (dents, burns, smoke damage, broken connectors) If modem seems fine, call CoinUp® service.

Cell modem connection is good and IP address appears at Test Connection screen. Under Cell Modem Details, signal is weak or nonexistent.	Poor antenna location	Change placement of antenna and/or cabinet.
	Faulty connection	Check connections between cell modem and antenna. Replace antenna if it appears damaged.

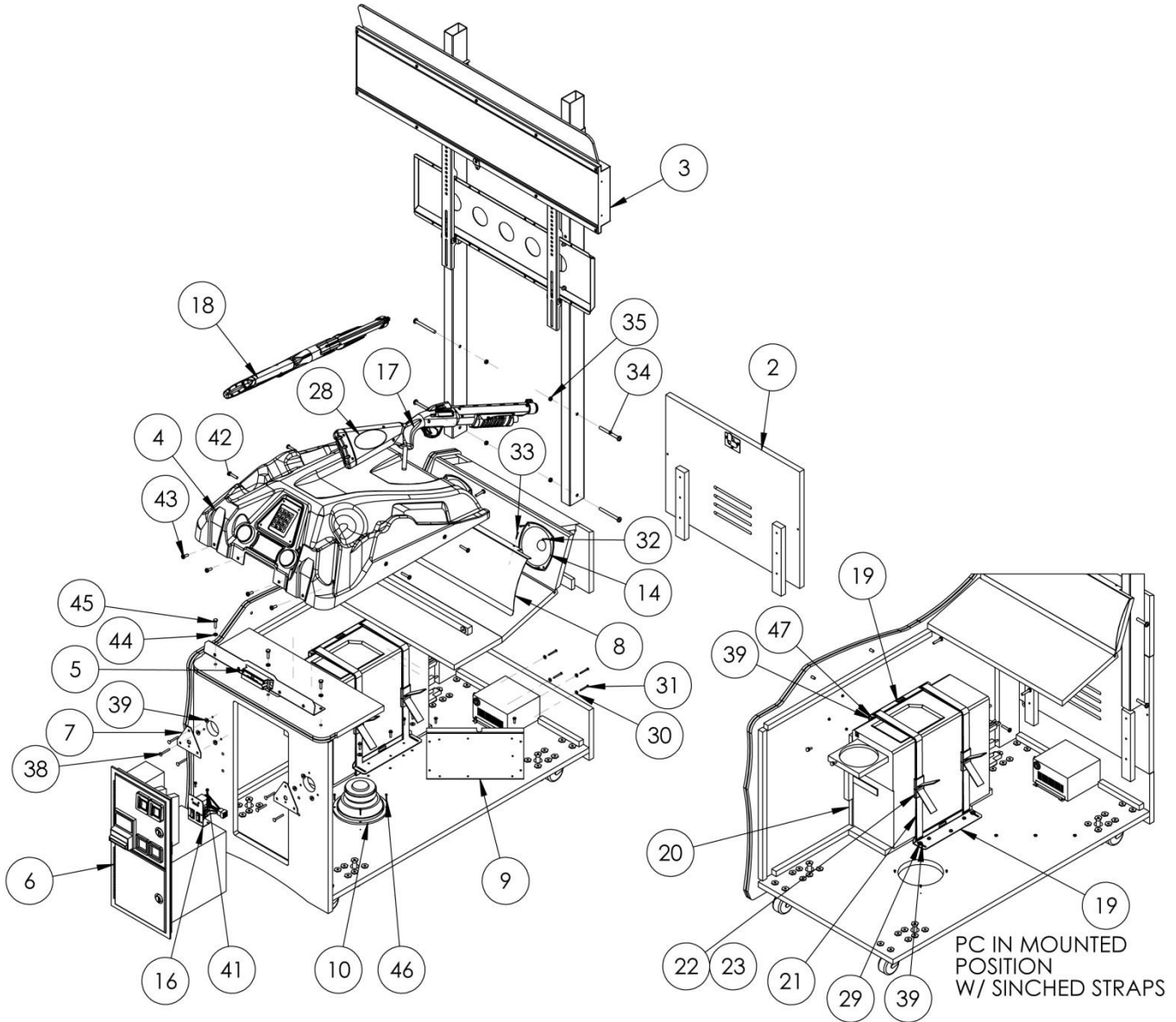
Wi-Fi Connection Troubleshooting

Problem	Possible Cause	Solution
Wi-Fi Details status is <i>Not Connected</i> or Adapter is <i>Not Found</i> .	A supported USB Wi-Fi adapter is not connected.	Connect a supported Wi-Fi adapter. Turn cabinet AC power off for a minute and reboot.
	Faulty USB port	Connect device to another USB port

Wi-Fi Details status is <i>Not Connected</i> , but a supported adapter is connected.	Wi-Fi network information is incorrect	Run connection wizard and select Wireless. Enter required information.
	Wireless access point or router is off or disconnected.	Ensure access point has power. Ensure it is connected to router. Restart access point. Ensure router has power and is connected to cable/DSL modem.

Parts

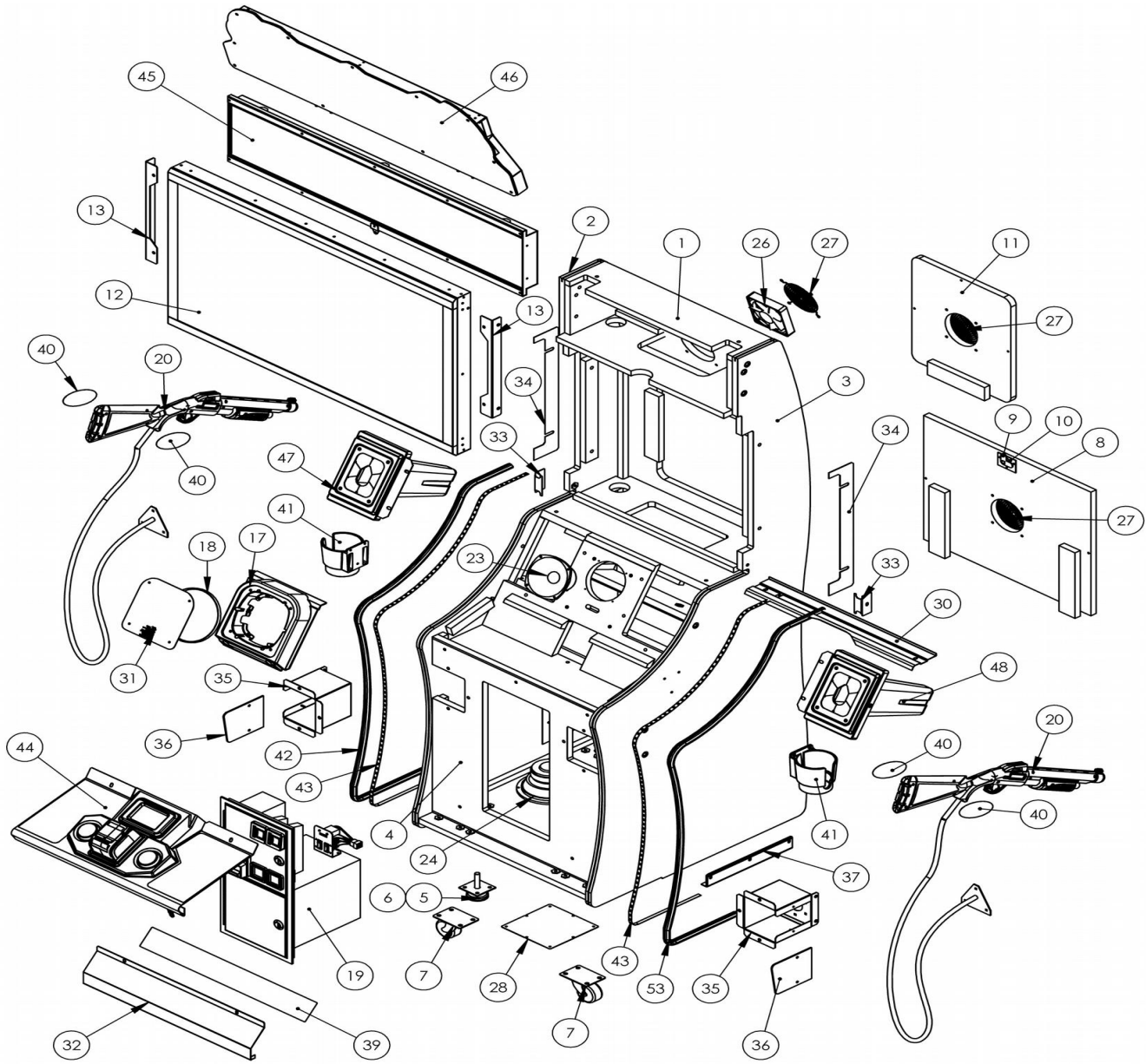
Panorama Cabinet Assembly

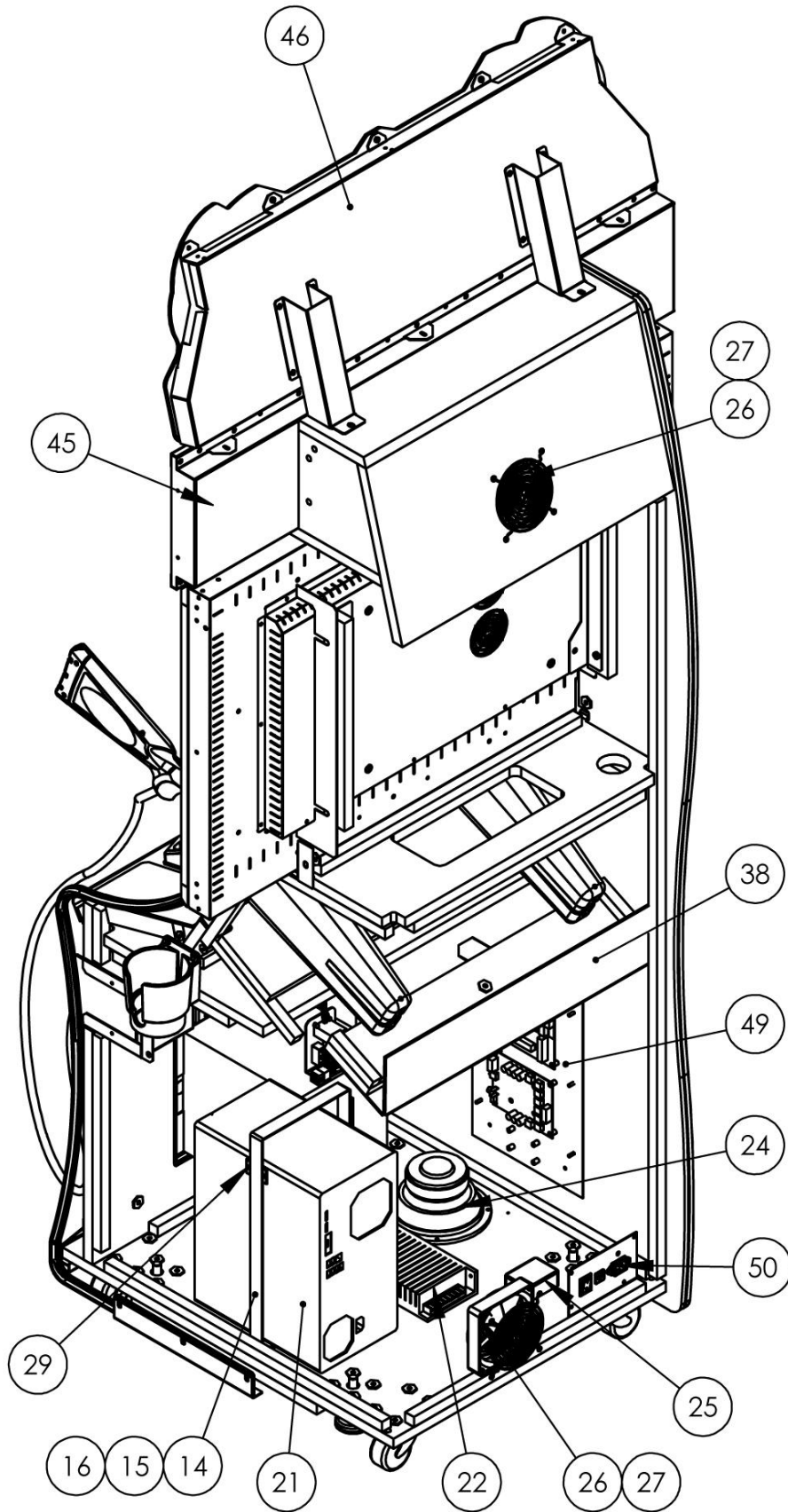


Panorama Cabinet Assembly Part Numbers

Item	Part No.	Description	QTY
1	601-00577-01	BBHD-42-WOOD-CAB-ASSY	1
2	601-00579-01	ASSY-REAR DOOR - 42 BBHD	1
3	BBHD-42LCD-STAND-ASSY	BBHD-42LCD-STAND-ASSY	1
4	BBHD-VACFORM-ASSY	BBHD-VACFORM-ASSY	1
5	CARD-SWIPE-ASSY	CARD-SWIPE-ASSY	1
6	800-00005-01	MID-WIDTH COINDOOR - BBHD	1
7	BETSON 47-4450-XX	GUN MOUNTING PLATE	2
8	600-00772-01	GRILL-SPEAKER-BBHD	1
9	SX-RIO ASSY	SX-RIO PCB ASSY - BBHD	1
10	807-00003-00	SPEAKER-6.5 INCH WOOFER-8OHM	1
11	2-1-02-00-00-017	APS_POWER_SUPPLY_WITH_BRACKET 90-AP-188	1
12	820-00001-00	FAN-120MM-120VAC-15/19W	1
13	800-00001-00	GUARD-FAN-WIRE-120MM	1
14	2-1-10-00-00-000	5.25 Full Range Speaker	2
15	Optiplex 390 Assy	Optiplex 390 Assy-BBHD	1
16	810-00053-01	TEST SERVICE BUTTON ASSY	1
17	820-00018-00	BBHD-COMPLETE GUN-ORANGE	1
18	820-00019-00	BBHD-COMPLETE GUN-GREEN	1
19	600-00901-01	BRACKET-PC STRAP MOUNT	2
20	Foam-pc-.5x8x14.5	FOAM-PC-.5X8X14.5 - POLYETHYLENE PLANK	1
21	87425k76 (56" LG)	NYLON STRIP 0.075" THICK, 1" WIDTH, BLACK (56" LG)	2
22	29705K76 (FEMALE)	PLASTIC BUCKLE FOR 1"WEB, NO SEW RELEASE - FEMALE	2
23	29705K76 (MALE)	PLASTIC BUCKLE FOR 1"WEB, NO SEW RELEASE - MALE	2
24	606-00676-01	DECAL-LEFT SIDE PANEL	1
25	606-00677-01	DECAL-RIGHT SIDE PANEL	1
26	606-00678-01	DECAL-TOP CAB	1
27	606-00685-01	DECAL-VINYL-FRONT PANEL	1
28	606-00696-01	DECAL-OVAL GUN-BBHD	4
29	IN-HWMS 0.19-32X0.75X0.75-N	10-32 X .75LG HWH MACHINE SCREW	5
30	Regular FW 0.138	#6 FLAT WASHER - BLACK	4
31	CR-PHMS 0.138-32X1.25X1-N	6-32 X 1.25LG TP-BH MACHINE SCREW - BLACK	4
32	FHTS 0.112-24-AB-0.8125-N	#8 X .75LG WOOD SCREW	8
33	PANHTS 0.112-24-TYPE 1-BP-0.8125-N	#8 TP-BH WOOD SCREW - BLACK	3
34	BB142090UHD	1/4-20 X 3.547LG DEC.HEAD JOINT BOLT (STAFAST)	4
35	MSHXNUT 0.250-20-S-N	1/4-20 NYLOCK NUT	4
36	CR-PHMS 0.164-32X1.625X1-N	8-32 X 2.25LG PHILIPS HEAD MACHINE SCREW	4
37	MSHXNUT 0.164-32-S-N	8-32 NYLOCK NUT	4
38	RHSNBOLT 0.19-24X1.5X.75-N	10-24 X 1.25LG CARRAIGE BOLT - BLACK	6
39	Regular FW 0.19	#10 FLAT WASHER	10
40	MSHXNUT 0.190-24-S-N	10-24 NYLOCK NUT	6
41	IN-HWMS 0.138-32X0.5X0.5-N	#8 X .50LG SHEET METAL SCREW	2
42	CR-PHMS 0.25-20X0.75X0.75-N	1/4-20 X 1.25LG TP-BH-BOLT-BLACK	6
43	CR-PHMS 0.25-20X0.75X0.75-N	1/4-20 X .75LG TP-BH-BOLT-BLACK	4
44	Regular LW 0.25	1/4" SPLIT LOCK WASHER	3
45	HFBOLT 0.25-20X1X0.75-N	1/4-20 X .75LG HH BOLT	3
46	FHTS 0.112-24-BP-0.8125-N	#8 X .75LG WOOD SCREW	4
47	CR-PHMS 0.19-24X0.625X0.625-N	#10 X .63LG WOOD SCREW	8

Dedicated Cabinet Assembly



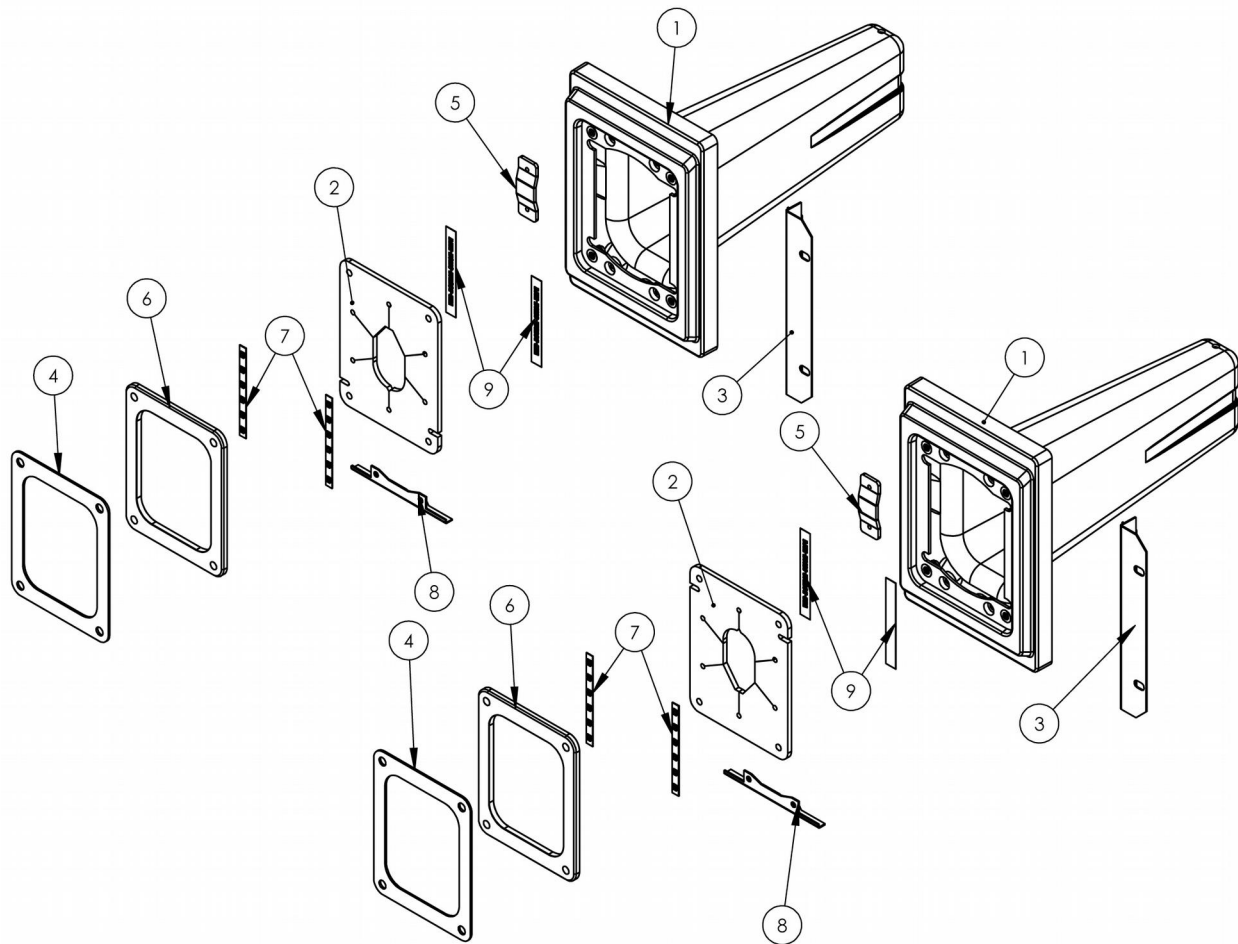




Dedicated Cabinet Assembly Part Numbers

Item	Part No.	Description	QTY
1	601-00874-01	ASSY-MAINCAB-BBH-RELOADED	1
2	606-01720-01	DECAL-LEFT-SIDE-BBH-RELOADED	1
3	606-01721-01	DECAL-RIGHT-SIDE-BBH-RELOADED	1
4	606-01722-01	DECAL-FRONT-BBH-RELOADED	1
5	Leg Leveler	1/2-13 x 4" Length	4
6	Leg Leveler plate	2.50 x 2.50 x 1/2-13 CTR – LEVELER PLATE	4
7	Caster 2"5	STD-2.50-CASTER	4
8	601-00763-01	DOOR-REAR-LOWER-BBH-RELOADED	1
9	Lock	LOCK STANDARD-Lock 7/8" w/ 1.25 Cam	1
10	LOCK RETAINER	LOCK RETAINER N202-130	1
11	601-00876-01	DOOR-LCD-BBH-RELOADED	1
12	MT43W-861A3	MAKVISION-43-CLOSED-FRAME-ASSY	1
13	600-02439-01	BRACKET-LCD-MOUNT-BBH-RELOADED	2
14	87535K76 (56 length)	Nylon Strip 0.075" Thick, 1" Width, Black	1
15	29705T86 (male)	Plastic Buckle for 1" Wide Web (male)	1
16	29705T86 (female)	Plastic Buckle for 1" Wide Web (female)	1
17	603-00965-01	BEZEL-SPEAKER-IM-BBH-RELOADED	1
18	500-00245-55	55CM-RGB-CLEAR-ENCASED-LED-STRIP	1
19	800-00005-01	MID-WIDTH COINDOOR-BBHD	1
20	820-00018-01	BBH-RELOADED-GUN-ASSEMBLY	2
21	850-00028-01	HP EliteDesk 705 G4 MT	1
22	500-00193-01	320W-12V-DUAL-VOLT-PS	1
23	2-1-10-00-00-000	5.25 FULL RANGE SPEAKER	1
24	2-1-11-00-00-000	SPEAKER WOOFER-6.5" 4 OHM	1
25	442-00001-01	LINE-FILTER-CORCOM-6MV1	1
26	820-00001-00	FAN, 120VAC, 19/15W	2
27	800-00001-00	120mm Wire Fan Guard	5
28	600-00616-01	GRILL-WOOFER	1
29	600-00891-01	Securing Nylong Strap Plate	1
30	600-02440-01	RETAINER-TOP-CP-BBH-RELOADED	1
31	600-02442-01	GRILL-SPEAKER-BBH-RELOADED	1
32	600-02443-01	RETAINER-LOWER-FRONT-BBH-RELOADED	1
33	600-02449-01	CLIP-TMOLDING-BBH-RELOADED	2
34	600-02450-01	PLATE-LCD-COVER-BBHR	2
35	600-02523-01	BRACKET-INSET-HOSE-BBHR	2
36	600-02607-01	HDPE-HOSE-PLATE	2
37	603-01002-01	TMOLDING-CLIP-12INCH-CLEAR	2
38	603-01016-01	COROPLAST-DEFLECTOR-BBH-RELOADED	1
39	606-01723-01	DECAL-LOWER-FRONT-BBH-RELOADED	1
40	606-01836-01	DECAL-OVAL-GUN-BBH-RELOADED	4
41	603-01009-01	CUP-HOLDER-MULTI-SIZE-HAPP-27-1422-00	2
42	603-00718-01	LED-TMOLDING-BBHR-64-INCHES	2
43	160CM-RGB-LED-STRIP	RGB-LED-STRIP-160CM-BBHR	2
44	ASSY-CONTROL-PANEL-BBHR	ASSEMBLY-CONTROL-PANEL-BBH-RELOADED	1
45	ASSY-LIGHTBOX-BBHR	ASSEMBLY-LIGHTBOX-BBH-RELOADED	1
46	ASSY-MARQUEE-BBHR	ASSEMBLY-MARQUEE-BBH-RELOADED	1
47	ASSY-GUN-HOLDER-GREEN-BBHR	ASSEMBLY-GUN-HOLDER-GREEN-BBHR	1
48	ASSY-GUN-HOLDER-ORANGE-BBHR	ASSEMBLY-GUN-HOLDER-ORANGE-BBHR	1
49	ASSY-RIO2-HARDWARE	ASSEMBLY-RIO2-HARDWARE-BBH-RELOADED	1
50	ASSY-POWER-PLATE-BBHR	ASSEMBLY-POWER-PLATE-BBH-RELOADED	1

Reloaded Gun Holder Assembly

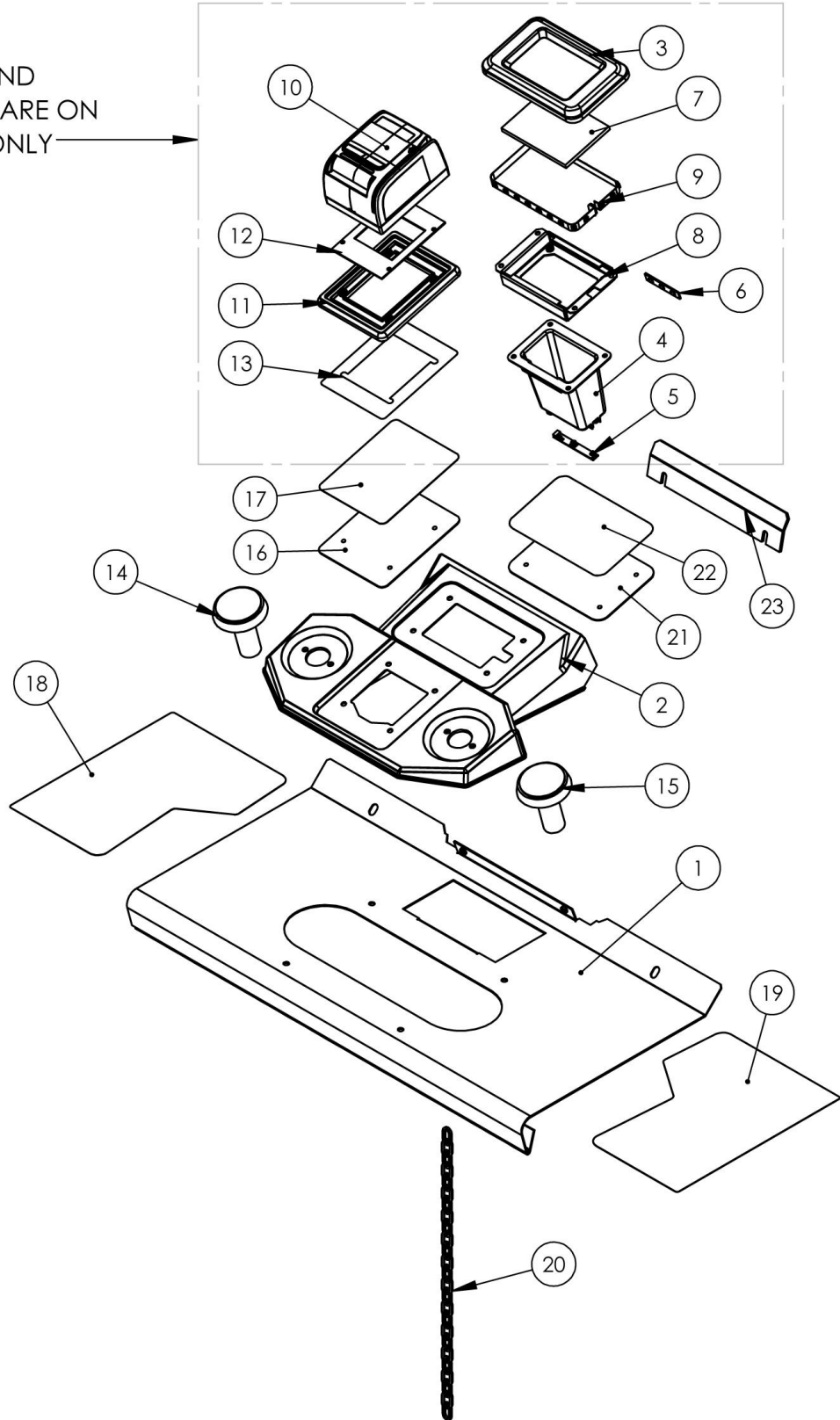


Reloaded Gun Holder Part Numbers

Item	Part No.	Description	QTY
1	603-01004-01 – G 603-01004-01 – O	ROTO-MOLDED-GUN-CONE-BBHR-GREEN ROTO-MOLDED-GUN-CONE-BBHR-ORANGE	1
2	600-02522-01	BEZEL-RUBBER-BBHR	1
3	600-02606-01	BRACKET-CONE-BEZEL-BBHR	1
4	600-02627-01	PLATE-RUBBER-BEZEL-BBH-RELOADED	2
5	600-02637-01	BUMPER-PAD-BBH-RELOADED	1
6	603-01036-01 603-01037-01	ACRYLIC-BEZEL-GREEN-BBHR ACRYLIC-BEZEL-ORANGE-BBHR	1
7	10cm LED Strip (White)	10cm Flexible LED Strip (White)	2
8	600-02608-01	PLATE-LED-BBHR	1
9	DOUBLE-STICK-TAPE	VHB-DOUBLE-STICK-TAPE-5-3.75	2

Dedicated Cabinet Control Panel Assembly

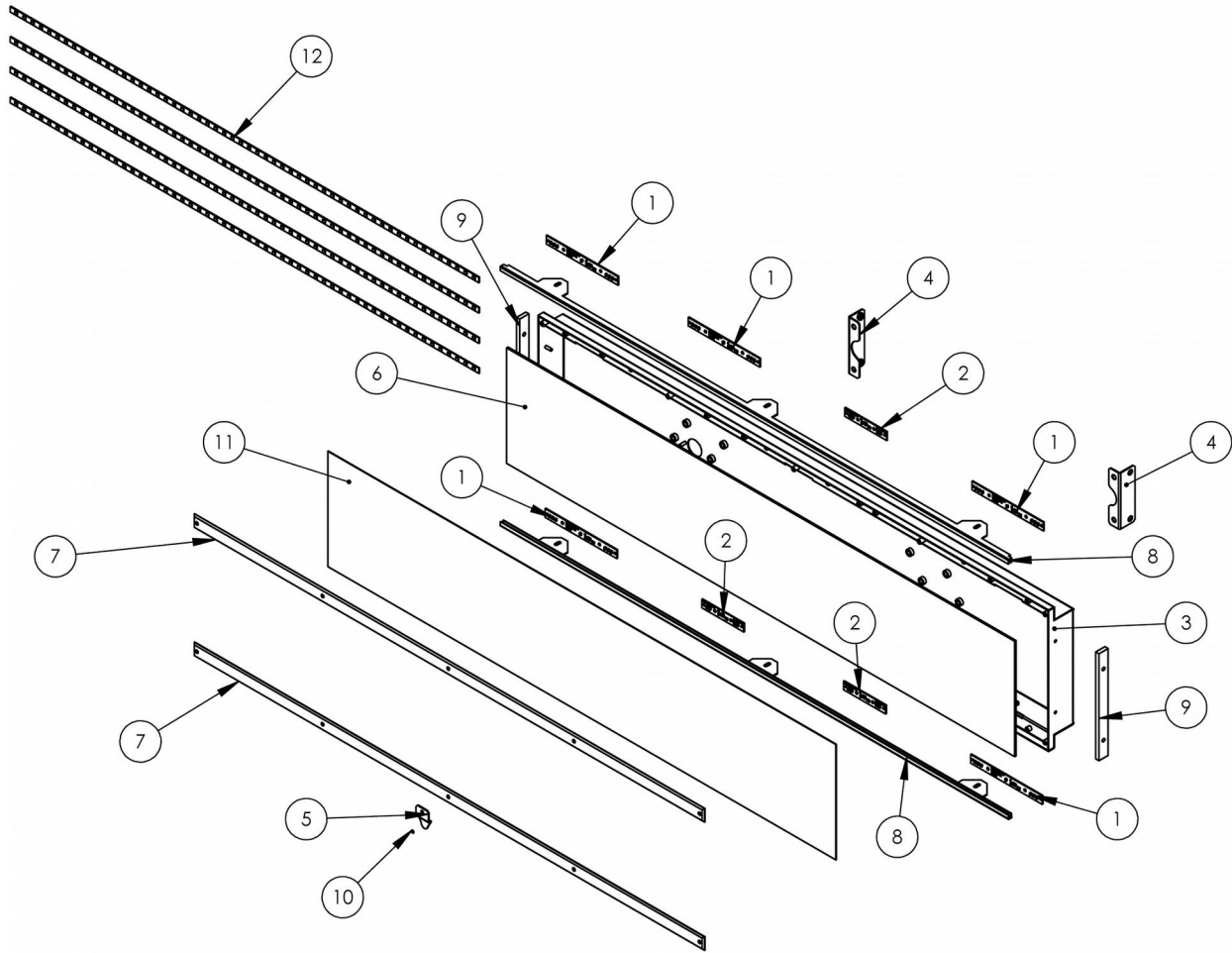
PAYMENT HEAD AND
PHONE SCANNER ARE ON
ON-LINE GAMES ONLY



Dedicated Cabinet Control Panel Part Numbers

Item	Part No.	Description	QTY
1	600-02438-01	CONTROL-PANEL-BBH-RELOADED	1
2	603-00964-01	HOUSING-CP-CENTER-IM	1
3	603-00897-01	Card Reader Bezel	1
4	603-00924-01	Camera Holder – IN BLACK	1
5	500-00213-01	Card Reader Webcam (10CM focus) – CM-020-10CM	1
6	500-00162-01 (5 CM)	White Flexible LED Tape, w/ FOAM	1
7	600-02236-01	GLASS-SHIELD-PHONE-SCANNER-BEZEL	1
8	600-02228-01	SPACER-SCANNER-PROJECT-RING	1
9	40CM LED STRIP (RGB)	40CM-RGB-LED-STRIP-PHONE-SCANNER	1
10	Bezel 8_20160621_PART	Bezel 8_20160621_UIC-PAYMENT-HEAD	1
11	603-00968-01	BEZEL-8-LED-IM-BBH-RELOADED	1
12	500-00255-01	PCB-LED-BEZEL-BBHR	1
13	606-01726-01	DECAL-LED-REFLECTOR-BBH-RELOADED	1
14	702-00007-01	ROUND-GREEN-IPB-GOLD-SW-6V-LED	1
15	702-00008-01	ROUND-ORANGE-IPB-GOLD-SW-6V-LED	1
16	600-02463-01	PLATE-BLANK-CP-BBH-RELOADED	1
17	606-01729-01	DECAL-BLANK-PLATE-BBH-RELOADED	1
18	606-01724-01	DECAL-PLAYER-1-BBH-RELOADED	1
19	606-01725-01	DECAL-PLAYER-2-BBH-RELOADED	1
20	600-02629-01	CHAIN-CONTROL-PANEL-BBH-RELOADED	1
21	600-02664-01	PLATE-BLANK-SCANNER-BBHR	1
22	606-01888-01	DECAL-SCANNER-COVER-PLATE-BBHR	1
23	600-02640-01	GASKET-CP-BBH-RELOADED	1

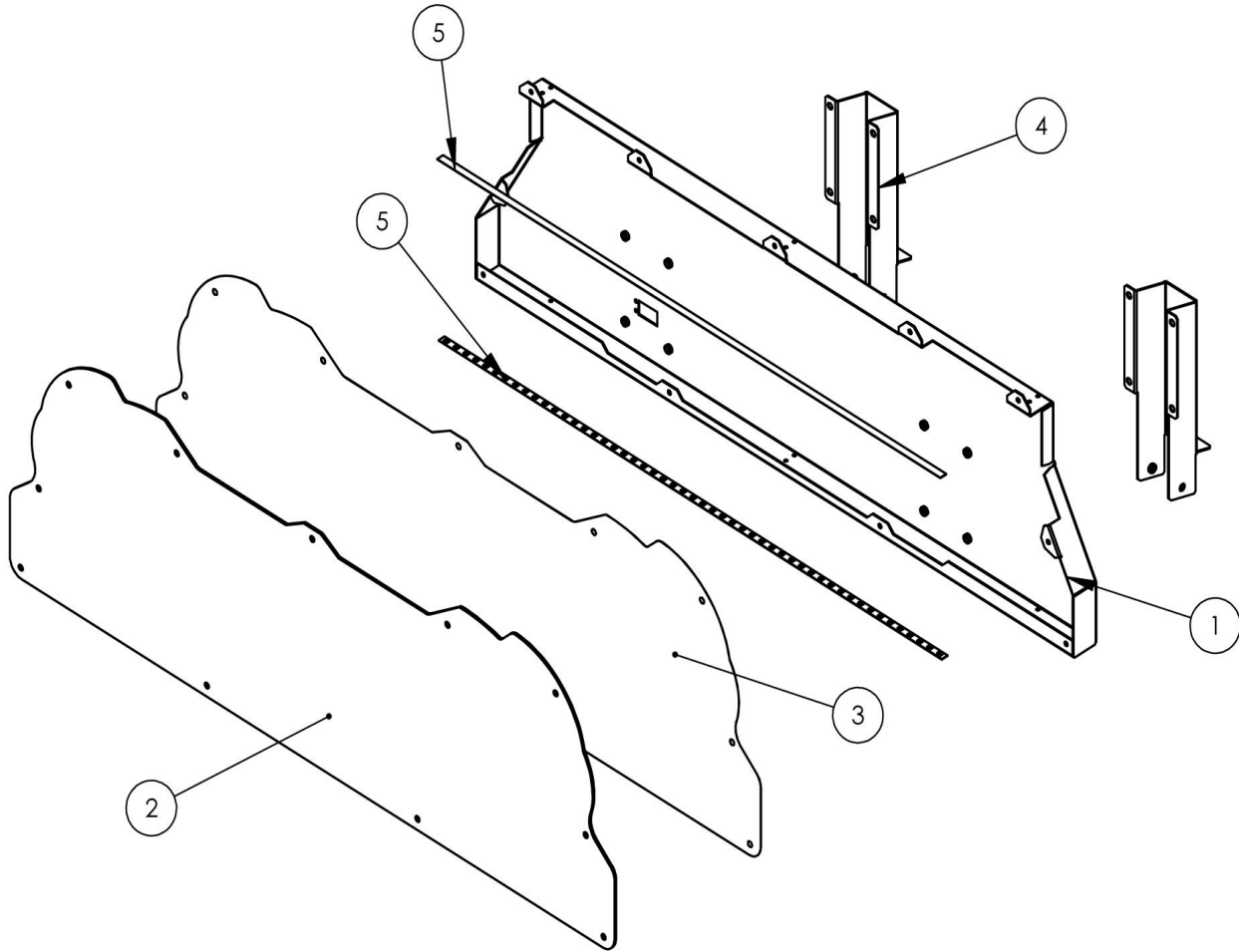
Dedicated Lightbox Assembly



Dedicated Lightbox Assembly Part Numbers

Item	Part No.	Description	QTY
1	500-00080-01	BBHD-PCB-ASSY-IR-LED-3 VARIAT	5
2	500-00081-01	BBHD-PCB-ASSY-IR-LED-2 VARIAT	3
3	600-01019-01	LIGHTBOX-BBHD 42" MARQUEE	1
4	600-02446-01	BRACKET-LIGHTBOX-MOUNT-BBH-RELOADED	2
5	600-00771-01	BRACKET-TARGET	1
6	600-00776-01	PLEX-BBHD-42" MARQUEE	1
7	600-00775-01	PLEX-SMOKE-42" MARQ	2
8	600-00824-01	RETAINER-42" MARQ BBHD	2
9	600-00822-01	PLEX-RETAINER 42" MARQ BBHD	2
10	606-00681-01	DECAL-TARGET-BBHD	1
11	606-01727-01	TRANSLITE-BBH-RELOADED-42" LIGHTBOX	1
12	WHITE-LED-STRIP-95CM	WHITE-LED-STRIP-95CM	4

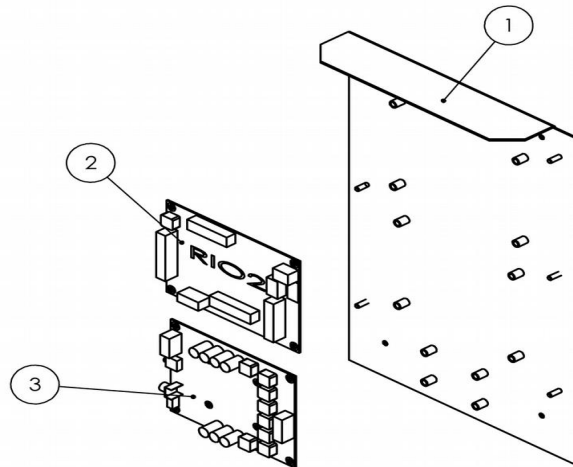
Dedicated Top Lightbox Assembly



Dedicated Top Lightbox Assembly Part Numbers

Item	Part No.	Description	QTY
1	600-02524-01	HOUSING-MARQUEE-BBH-RELOADED	1
2	603-00969-01	PETG-MARQUEE-BBH-RELOADED	1
3	606-01728-01	TRANSLITE-TOP-LOGO-BBH-RELOAD	1
4	600-02441-01	BRACKET-MARQUEE-BBH-RELOADED	2
5	85cm LED Strip (WHITE)	85cm LED Strip (WHITE)	2

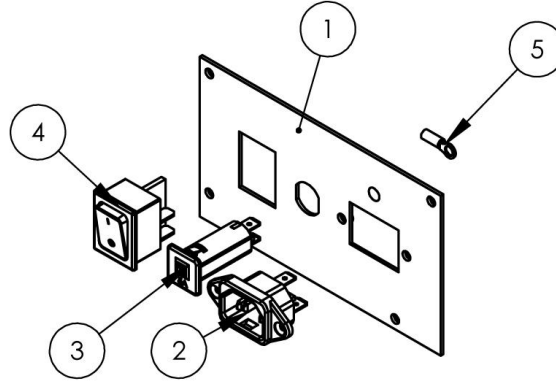
Reloaded RIO2 Hardware Assembly



Reloaded RIO2 Hardware Assembly Part Numbers

Item	Part No.	Description	QTY
1	600-02049-01	RIO Mounting Plate (w/Motion Control PCB)	1
2	500-00199-05	RIO2-PCB-ASSY	1
3	500-00212-03	RIO2-AUDIO-AMPLIFIER	1

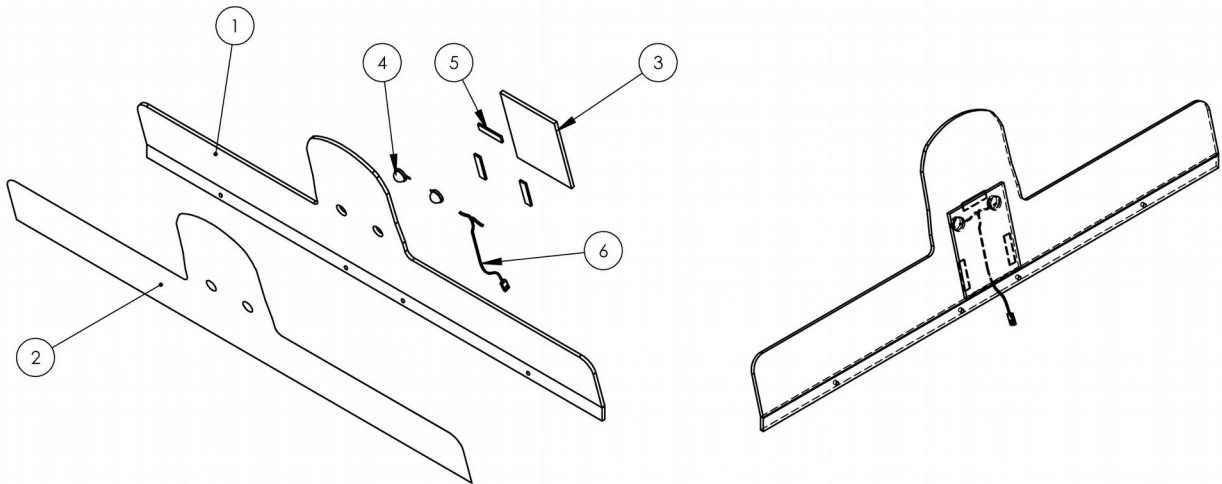
Reloaded Power Plate Assembly



Reloaded Power Plate Assembly Part Numbers

Item	Part No.	Description	QTY
1	600-01681-01	PLATE, AC – LINE FILTER, CIRCUIT BREAKER, ON/OFF SW	1
2	Power Inlet Receptacle	IEC Appliance Inlet, Screw-on Mounting, Front Side, Quick-connect, 10A	1
3	T9-611-5A	5A-Circuit Breaker, Snap-in type, Fuseholder style, 1 pole (Schurter #4404.0007)	1
4	1832-33-12	AC-SWITCH-15AMP-125V-HEILAND-ELECT	1
5	Ring and Spade Tongue Terminal	Ring and Spade Tongue Terminal (#8 Screw)	1

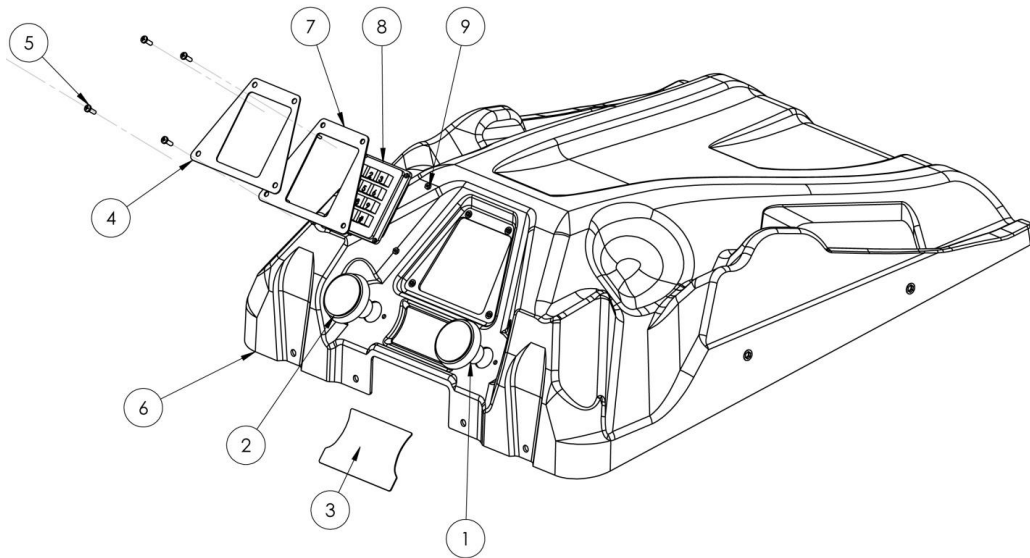
Panorama Header Assembly



Panorama Header Assembly Part Numbers

Item	Part No.	Description	QTY
1	600-00821-01	BLOCKER-SINTRA-42" MARQUEE	1
2	606-01841-01	DECAL-PANORAMA-BLOCKER-BBHR	1
3	600-02637-01	SINTRA-BLOCKER-PLATE-BBHR-PANORAMA	1
4	500-00048-01	RED-EYE-LED (PARTEC# 90-25-112)	2
5	VELCRO-STRIP-2.00LG	VELCRO-STRIP-2.00LG	3
6	CABLE-BLOCKER-POWER	CABLE-BLOCKER-PANO-BBH-RELOADED	1

Panorama Vacform Assembly



Item	Part No.	Description	QTY
1	702-00008-01	ORANGE ROUND ILLUM PB	1
2	702-00007-01	GREEN ROUND ILLUM PB	1
3	606-00680-01	DECAL- C'PANNEL-BBHD	1
4	606-00683-01	DECAL-KEYPAD-BBHD	1
5	CR-PHMS 0.164-32x0.5x0.5-N	8-32 X .50 BUT-HD-BLK-BOLT	4
6	603-00567-01	VACFORM-C'PANEL-BBHD	1
7	600-00888-01	PLATE-KEYPAD	1
8	813-00006-01	KEYPAD-ATM STYLE – KEY TEK	1
9	MSHXNUT 0.112-40-S-N	4-40 – NYLOCK NUT	4



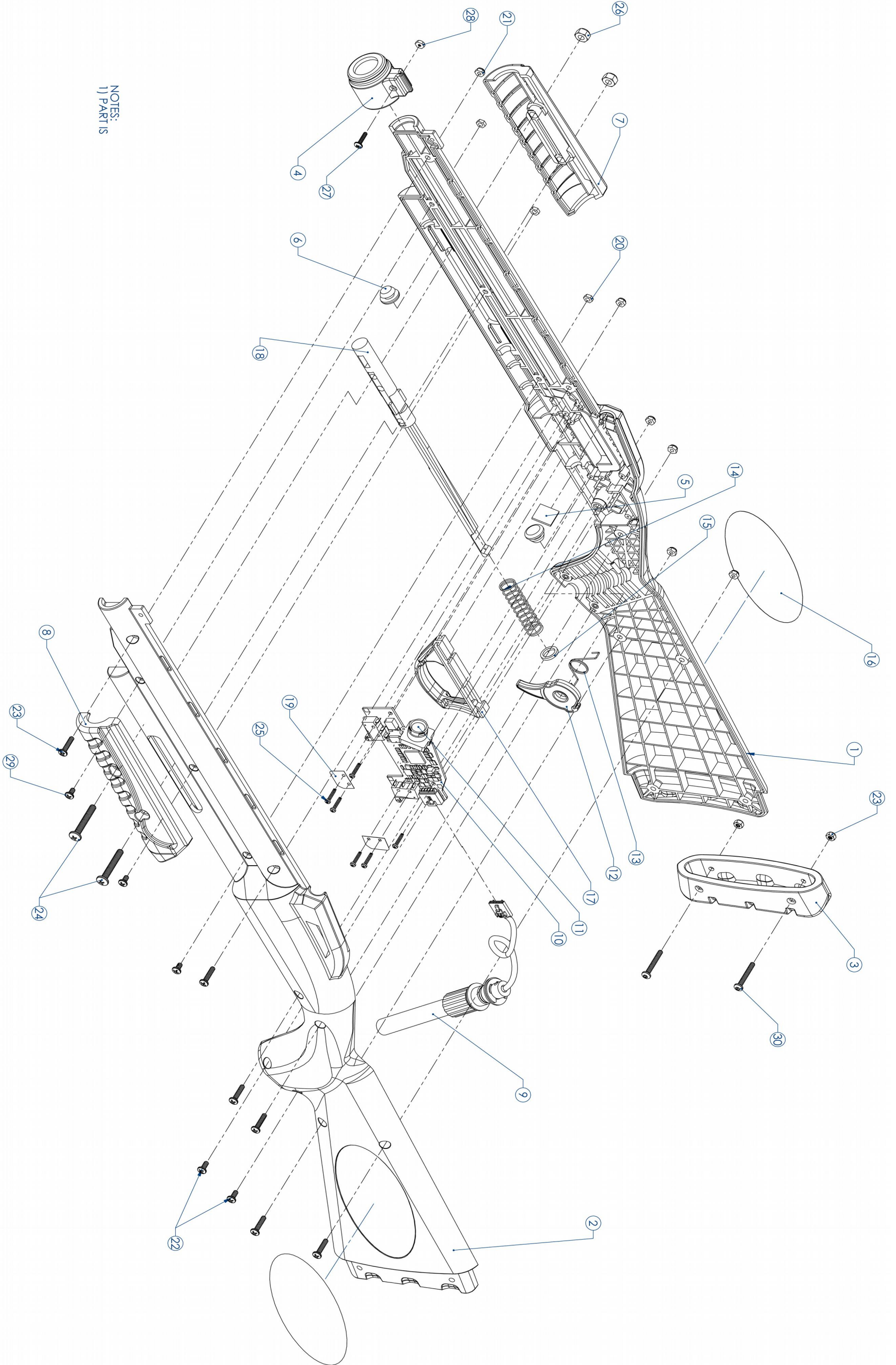
Panorama Monitor Mounting Screws

Item	Part No.	Description	QTY
1	31-MSM06-01-002	6MM X 30 MM LG H.H.M.S. STL-ZINC	4
2	31-MSM06-01-004	6MM X 16 MM LG H.H.M.S. STL-ZINC	4
3	31-MSM08-03-003	8MM-1.25 X 16MM LG H.H.M.S STL-ZINC	4
4	31-MSM08-03-004	8MM-1.25 X 30MM LG H.H.M.S STL-ZINC	4
5	3-102	WASHER 5/16ID X .75OOD X 1/16THK STL-ZINC	4
6	4-748	PLASTIC SPACER - .75 OD X .325 ID X .50 THK	4
7	3-400-25	1/4 EXTERNAL TOOTH LOCKWASHER	4
8	3-400-31	5/16 EXTERNAL TOOTH LOCKWASHER	4

Gun Assembly Parts List

Item	Part No.	Description	QTY
1	600-00846-01	Right Gun Half	1
2	600-00847-01	Left Gun Half	1
3	600-00849-01 600-00848-01	Gun Butt – Green Gun Butt – Orange	1
4	600-00851-01 600-00850-01	Gun Tip – Green Gun Tip – Orange	1
5	600-00852-01	IR Filter Lens	1
6	600-00853-01	Pump Stop	2
7	600-00854-01	Right Pump Half	1
8	600-00855-01	Left Pump Half	1
9	810-00131-01	Hose Assembly	1
10	500-00095-01	PCB	1
11	825-00001-01	Camera Module	1
12	600-00856-01	Trigger	1
13	600-00857-01	Trigger Spring	1
14	600-00858-01	Pump Spring	1
15	600-00859-01	Spring Stop Washer	1
16	606-01836-01	Oval Decal - BBH Reloaded	2
17	600-00860-01	Trigger Guard	1
18	600-00861-01	Pump Rod	1
19	600-00862-01	Switch Shim	3
20		6-32 nut	5
21		6-32 nylock nut	6
22		6-32 x 5/16" tamperproof screw	2
23		6-32 x 5/8" tamperproof screw	6
24		10-32 x 1-1/4 tamperproof screw	2
25		2-28 x 1/2" phillips threadforming screw	6
26		10-32 nylock nut	2
27		4-40 x 1/2" screw	1
28		4-40 nut	1
29		6-32 x 1/4" tamperproof screw	3
30		6-32 x 1" tamperproof screw	2

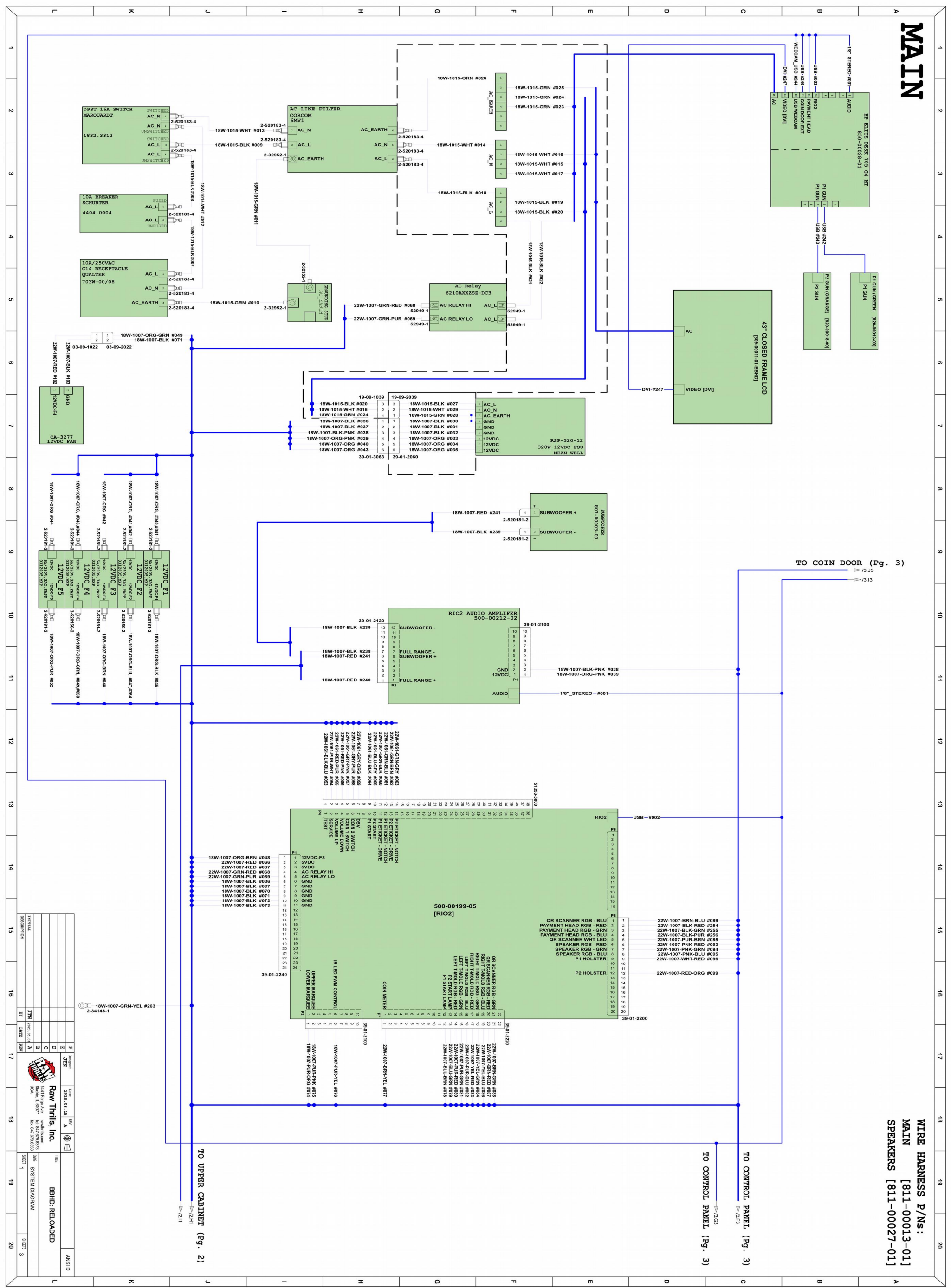
BBHD Gun Assembly



NOTES:
1) PARTS

Electrical Wiring

Cabinet Wiring Diagram



MAIN

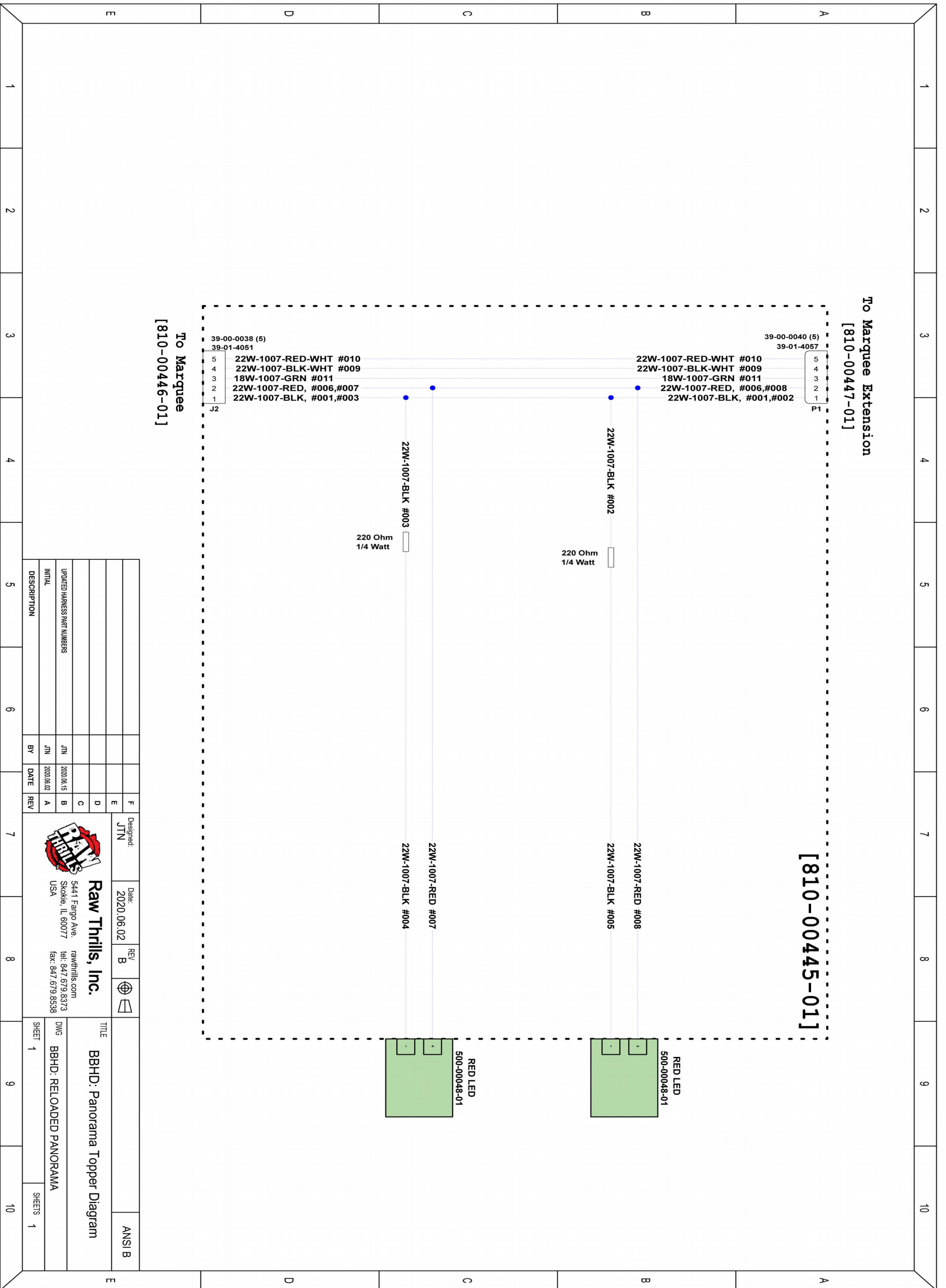
WIRE HARNESS P/Ns:
MAIN [811-00013-01]
SPEAKERS [811-00027-01]

DESCRIPTION	REV	DATE	BY	CHKD
INSTALL				
	JTM	2013.08.13	A	
	DMV			

REV	DATE	BY	CHKD	DESCRIPTION
A	2013.08.13	JTM		REVISED
B				
C				
D				
E				
F				

Raw Thills, Inc.
5441 Fwy Ave
Stable, IL 60077
847.679.8333
raw@rawthills.com


DATE: 2013.08.13
TIME: 10:00 AM
PAGE: 1 OF 3
TITLE: BHHD-RELOADED
SHEET: 1 OF 3



To Marquee Extension
[810-00447-01]

[810-00445-01]

To Marquee
[810-00446-01]

 Raw Thrills, Inc. 5441 Fargo Ave. rawthrills.com Skokie, IL 60077 tel: 847.679.8373 USA fax: 847.679.8538		Designed: JTN Date: 2020.06.02 REV B ANSI B
TITLE BBHD: Panorama Topper Diagram		SHEETS 1
DWG BBHD: RELOADED PANORAMA		SHEETS 1
DESCRIPTION UPDATED HARNESS PART NUMBERS INITIAL JTN 2020.06.15 JTN 2020.06.02		REV A REV B REV C REV D REV E REV F



Contact Information

For an authorized distributor near you, check the Raw Thrills website at www.rawthrills.com

Contact Betson Enterprise Headquarters or your local Betson office for sales, technical information, warranty or repair. Betson can be reached at (800) 524-2343 Fax (201) 438-4837 www.betson.com

CoinUp® Service

PlayMechanix™ www.playmechanix.com

800 Roosevelt Road, Suite D-103

Glen Ellyn, IL 60137

(866) 646-1975 fax (630) 942-1073

Betson Enterprises Headquarters

303 Paterson Plank Rd.

Carlstadt, NJ 07072

(800) 524-2343 or (201) 438-1300

fax (201) 438-4837